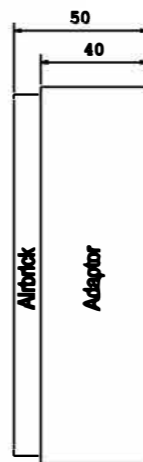
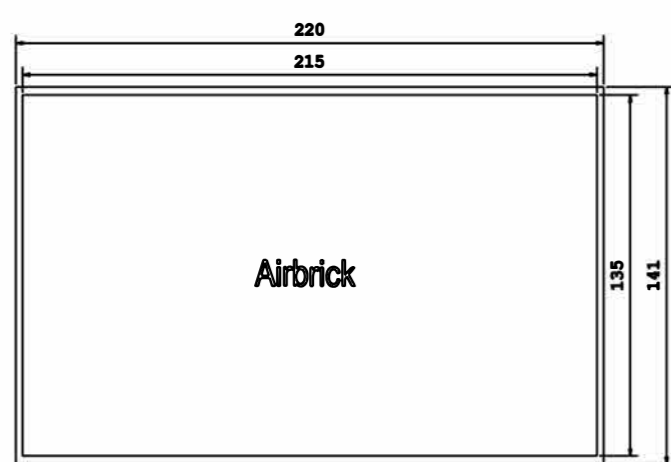
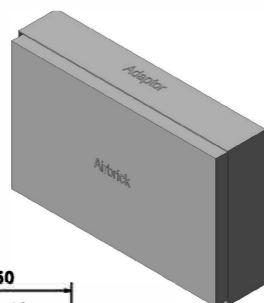
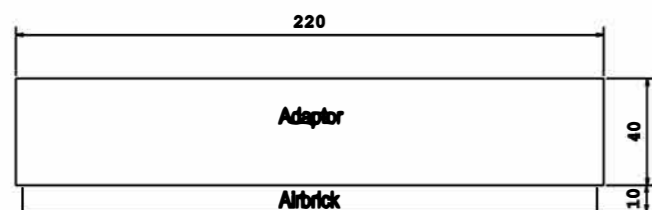
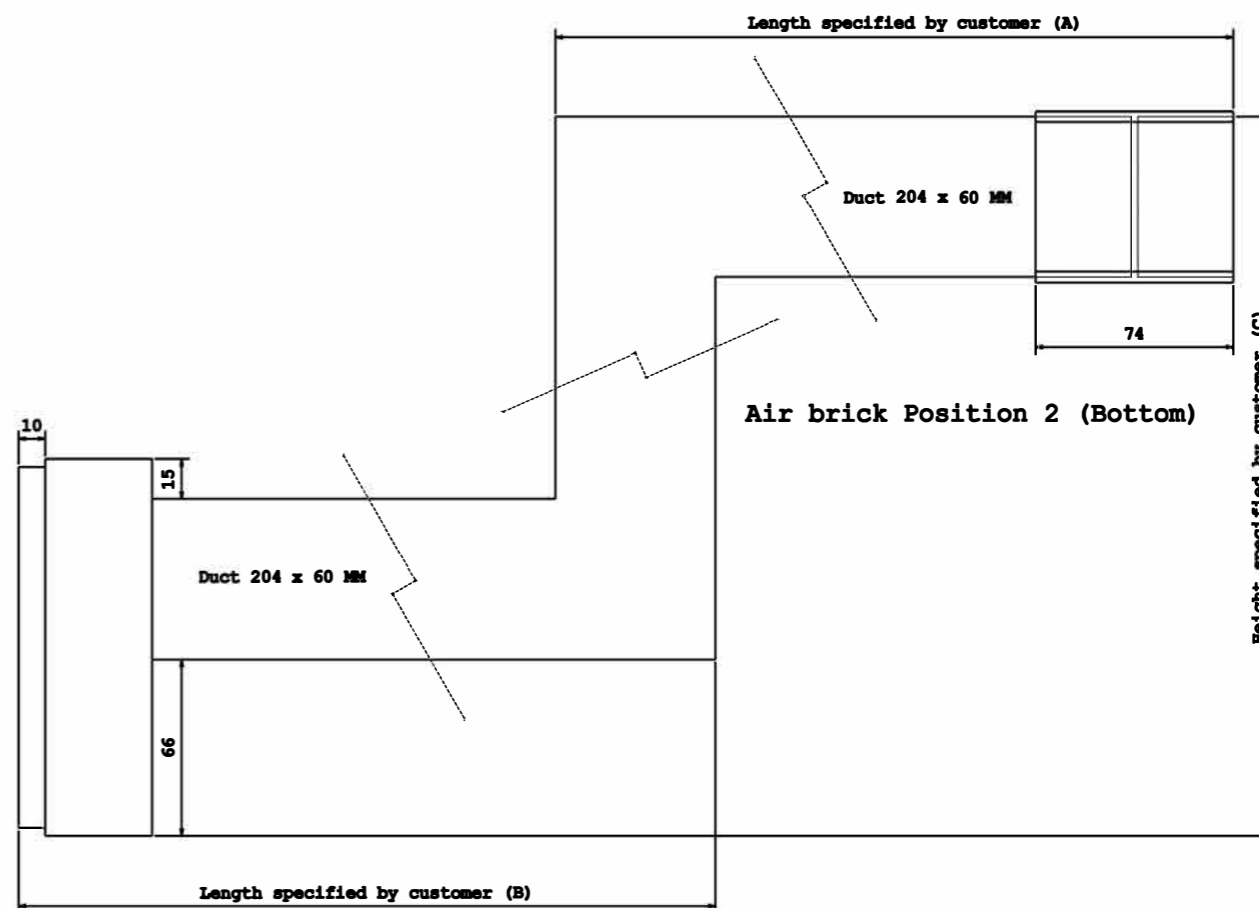
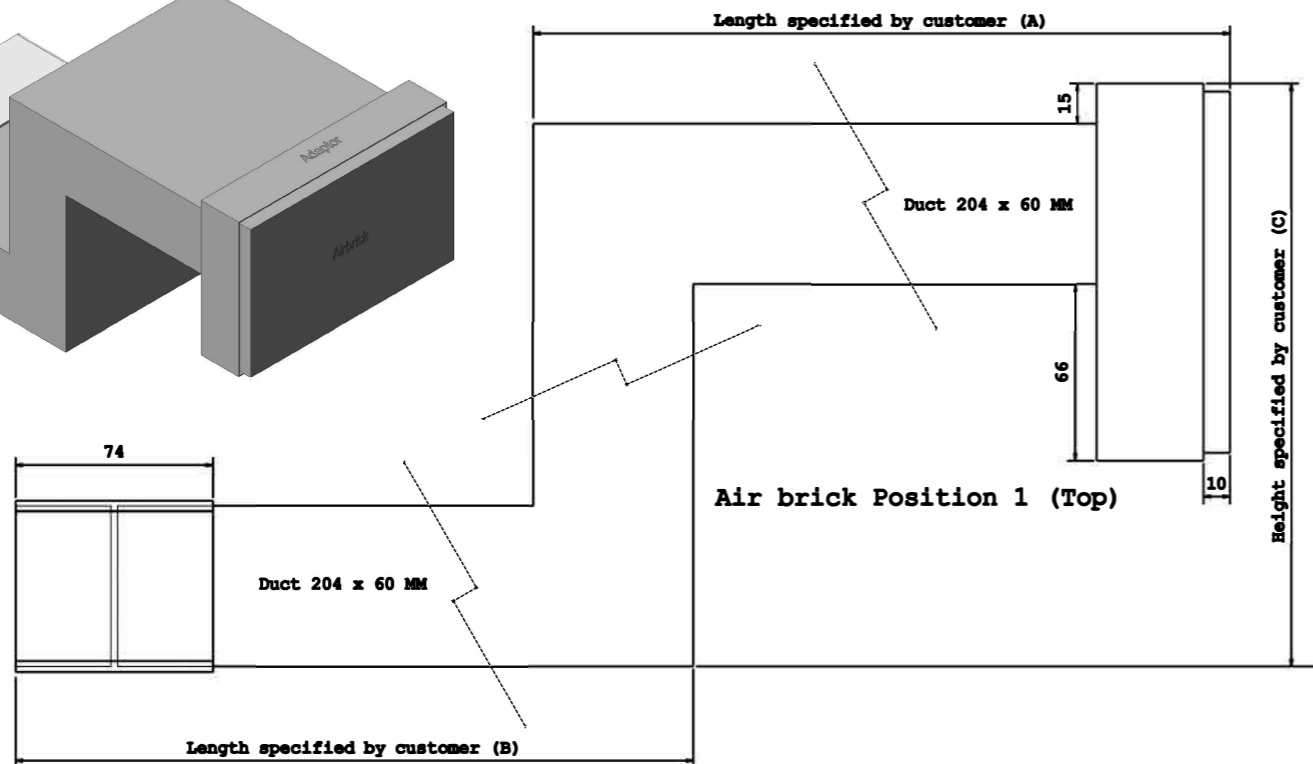
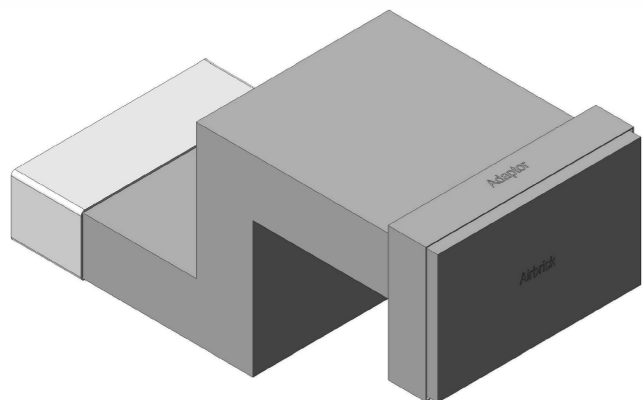


DO NOT SCALE

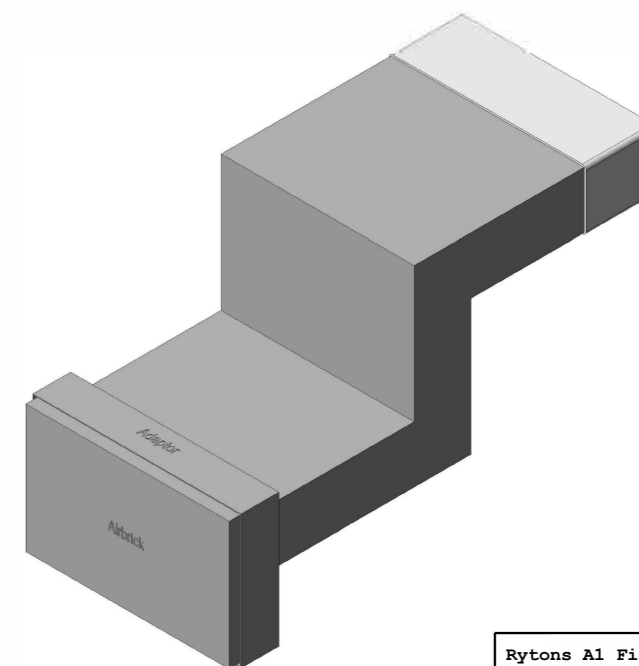
Rytons A1 Fire-rated S Shape Ducting Kit 204mm x 60mm with Double Air Brick Grille



Airbrick 50 mm
male connection
to adaptor allowing
+ 40mm extension

Please Note! Drawings are not to scale
Products are hand made and have a tolerance of +/- 5%
Intellectual property of Rytons Building Products Ltd
Not to be copied, distributed or reproduced without
Rytons written agreement.
In case of query please email admin@rytons.com

Registered Design 6087689



Rytons A1 Fire-rated S Shape
Ducting Kit 204mm x 60mm with
Double Air Brick Grille

