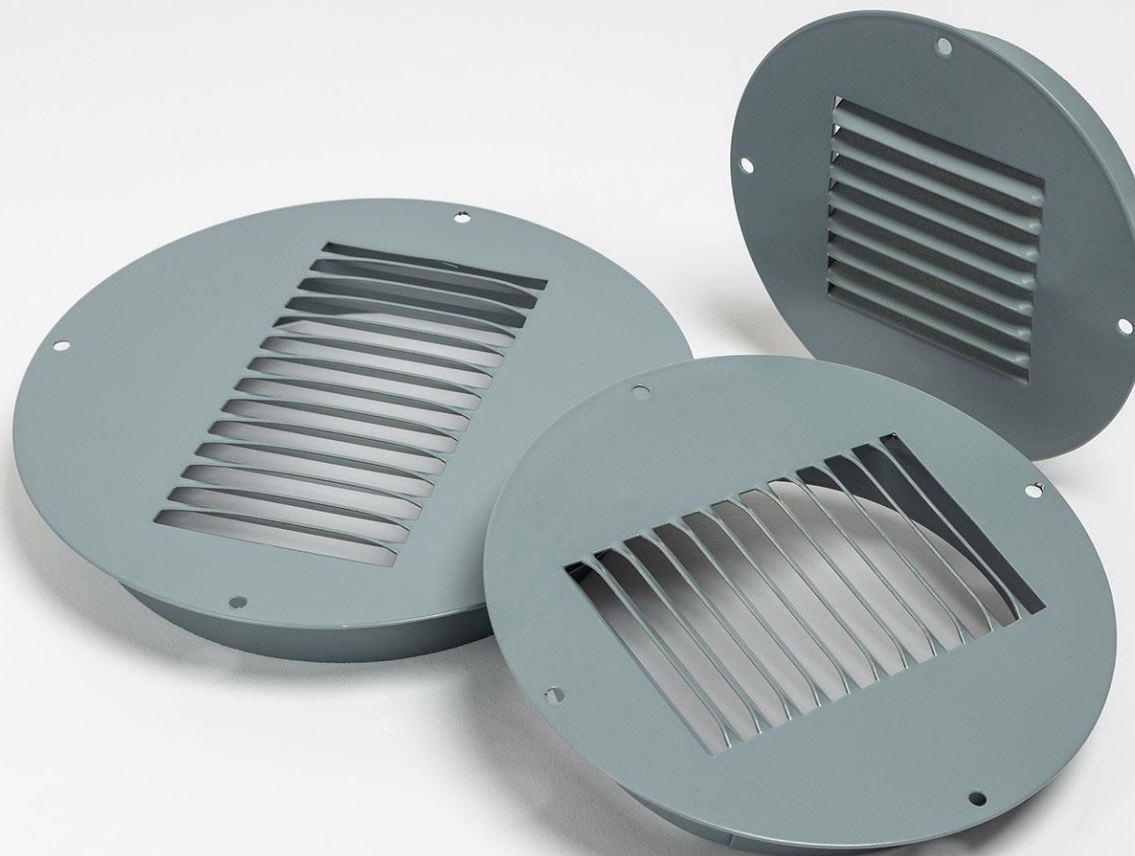


Rytons A1® Fire-rated Round Return Grille with Spigot
Grilles pictured suit 100mm, 125mm and 150mm dia. ducting
Custom RAL colour in matt, semi-gloss or gloss finish achieving Class A2-s1, d0
RAL7000 (Squirrel grey) pictured
Registered Design 6180109

RYTONS
www.vents.co.uk
A Family Business
Since 1972



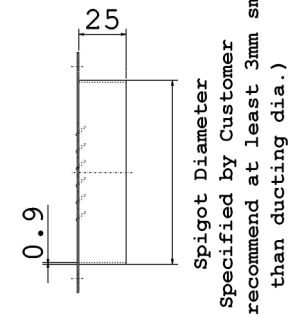
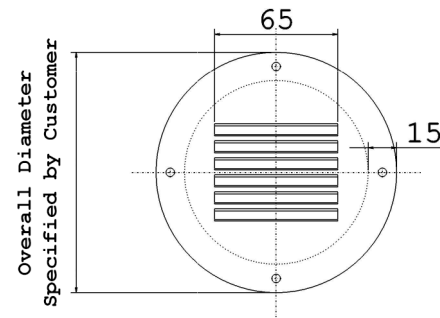
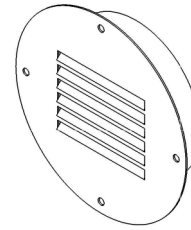
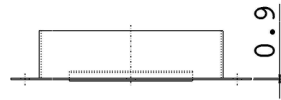
**MADE IN
BRITAIN**



EUROPEAN CLASSIFICATION A1
— NON-COMBUSTIBLE . FIRE SAFE —

DO NOT SCALE

Rytons A1® Fire-rated Round Return Grille with Spigot



Note: The number of grilles will vary depending on the diameter of the grille

Rytons recommend at least 3mm smaller than ducting dia.)



Rytons A1® Fire-rated Round Return Grille with Spigot

- Drawings are not to scale
- Dimensions are in mm
- Products are hand made and have a tolerance of +/- 5%

Product Code: A1SPECIALRRG

Free area dependent on the size of the grille (contact us for more information)

Registered Design No.: 6180109

V2



Intellectual property of Rytons Building Products Ltd. Not to be copied, distributed or reproduced without Rytons written agreement. In case of query email admin@rytons.com.

