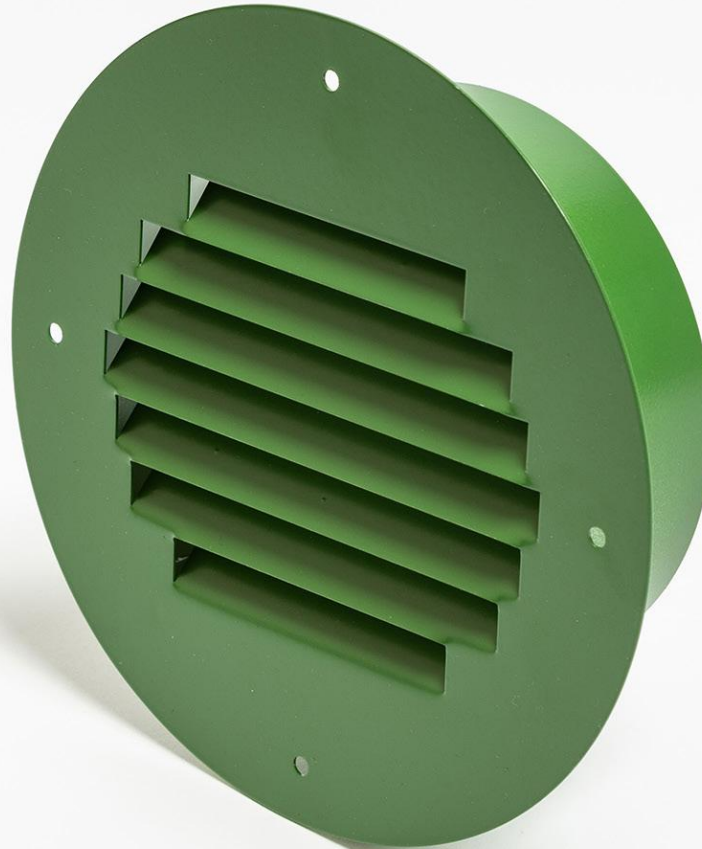


Rytons A1® Fire-rated Round FlowRyt® Grille with Spigot (125mm)
Suits 125mm dia. ducting (122mm dia. male spigot, 175mm dia. overall)
Custom RAL colour in matt, semi-gloss or gloss finish achieving Class A2-s1, d0
RAL6010 (Grass green) pictured
Registered Design 6235650
Patent Pending
Product Code: A1FRR125



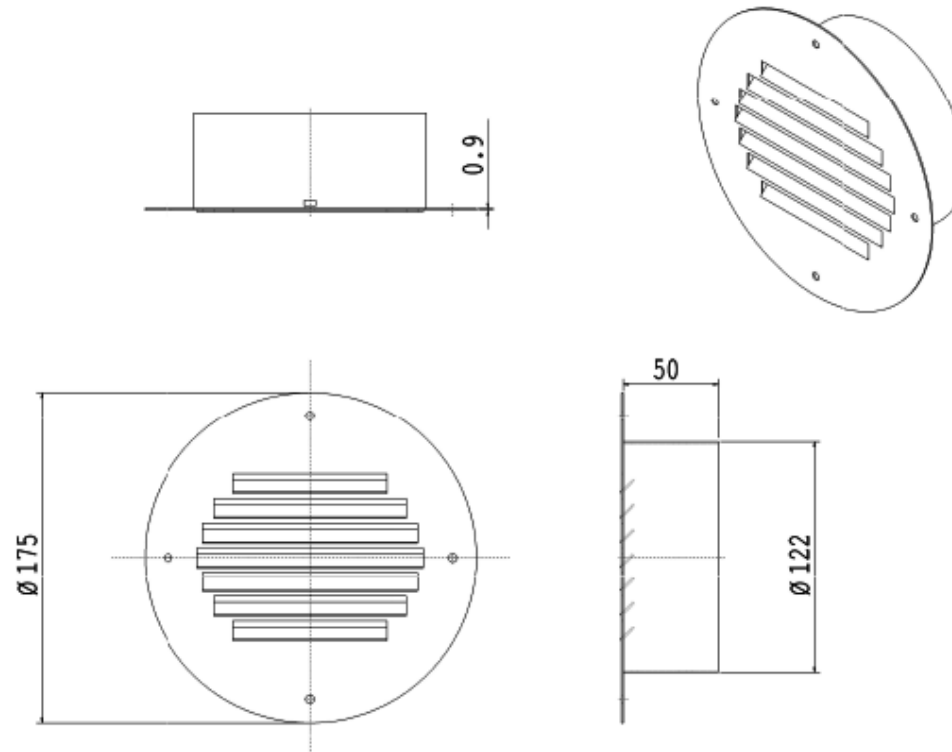
**MADE IN
BRITAIN**



EUROPEAN CLASSIFICATION A1
— NON-COMBUSTIBLE . FIRE SAFE —

DO NOT SCALE

Rytons A1® Fire-rated Round FlowRyt® Grille with Spigot (125mm)



Rytons A1® Fire-rated Round FlowRyt® Grille with Spigot (125mm)

- Drawings are not to scale • Dimensions are in mm
- Products are hand made and have a tolerance of +/- 5%

Product Code:
A1FRR125

Free Area:
6,912mm²

Registered Design 6235650
Patent Pending

V3



Intellectual property of Rytons Building Products Ltd. Not to be copied, distributed or reproduced without Rytons written agreement. In case of query email admin@rytons.com.

