

Rytons A1® Fire-rated Return Grille 250mm x 148mm with 209mm x 80mm Spigot
Compatible with 220mm x 90mm ducting
Custom RAL colour in matt, semi-gloss or gloss finish achieving Class A2-s1, d0
RAL2008 (Bright red orange) finish pictured
Patent Approved
Product Code: A1RDLV220X90



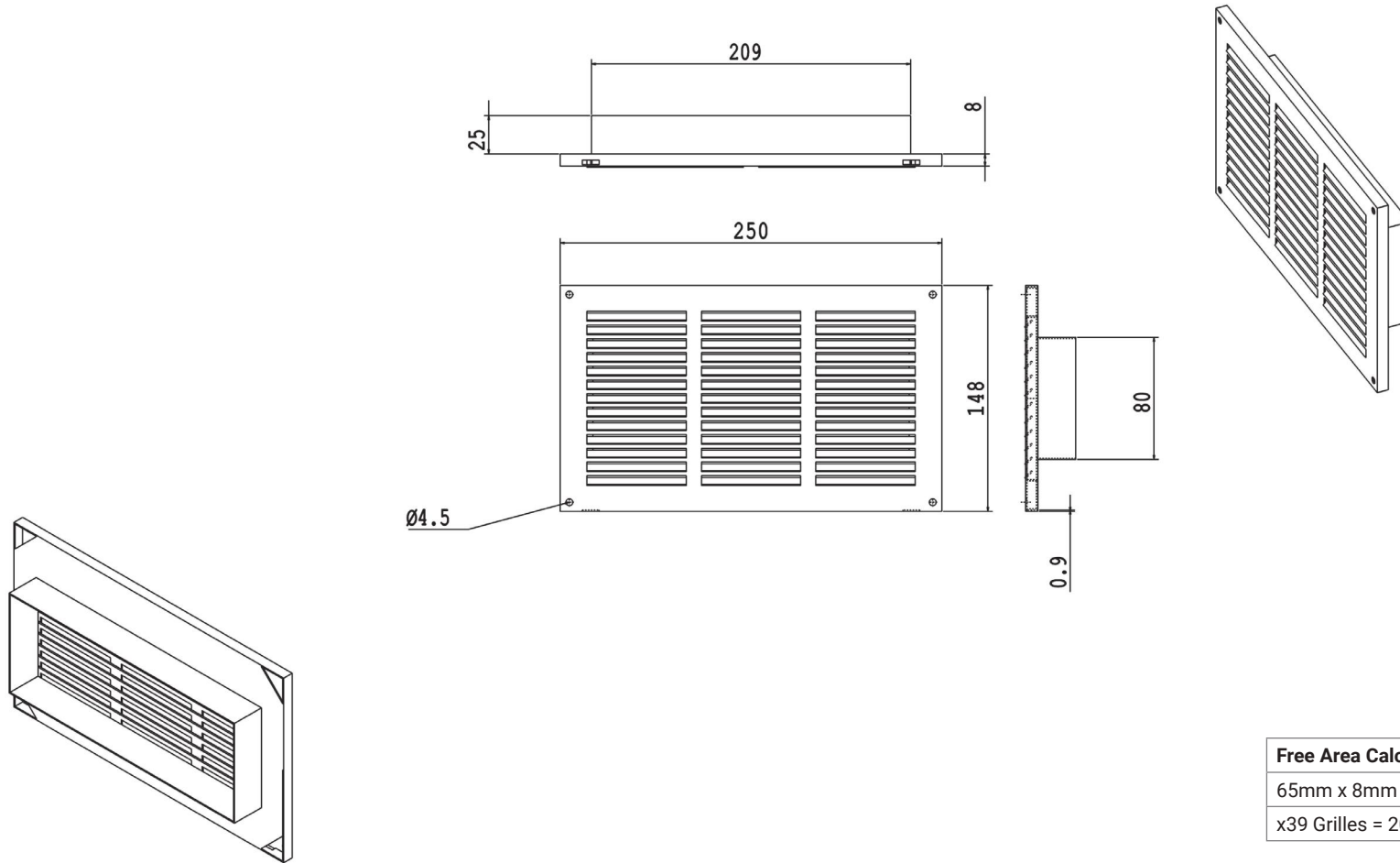
**MADE IN
BRITAIN**



EUROPEAN CLASSIFICATION A1
— NON-COMBUSTIBLE . FIRE SAFE —

DO NOT SCALE

Rytons A1® Fire-rated Return Grille 250mm x 148mm with 209mm x 80mm Spigot



Free Area Calculation
65mm x 8mm Return Grille = 520mm ²
x39 Grilles = 20,280mm ²



Rytons A1® Fire-rated Return Grille 250mm x 148mm with 209mm x 80mm Spigot

- Drawings are not to scale • Dimensions are in mm
- Products are hand made and have a tolerance of +/- 5%

Product Code:
A1RDLV220X90

Free Area:
20,280mm²

Patent Approved

V1



Intellectual property of Rytons Building Products Ltd. Not to be copied, distributed or reproduced without Rytons written agreement. In case of query email admin@rytons.com.

