

Rytons A1® Fire-rated S-Shape Ducting Kit 220mm x 90mm with Square Holed Double Air Brick Flanged
Custom RAL colour air brick in matt, semi-gloss or gloss finish achieving Class A2-s1, d0
RAL8004 (Copper brown) matt finish pictured
Registered Design 6087687
Patent Pending
Product Code: A1SSDK220X90SQDF



**MADE IN
BRITAIN**

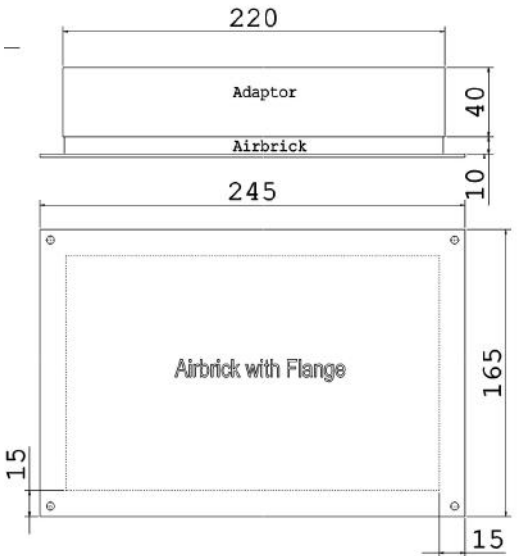
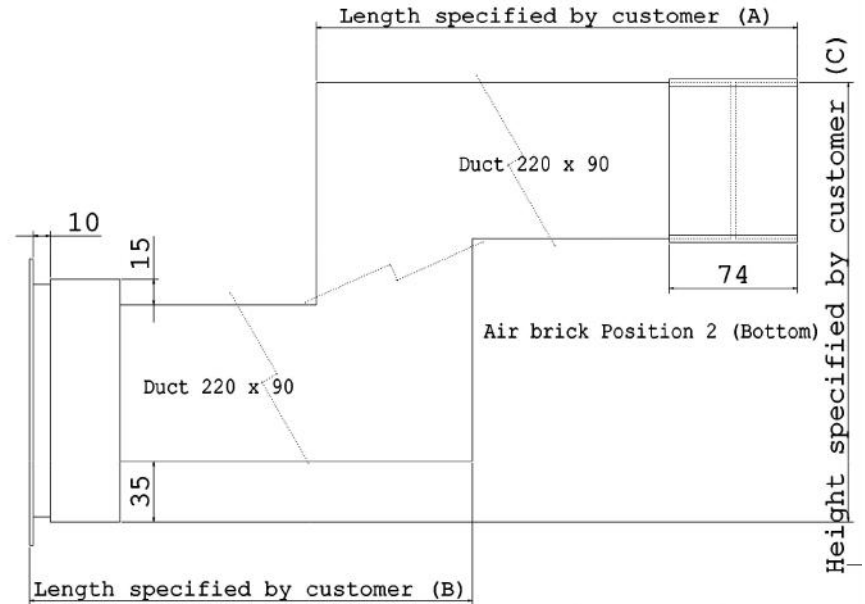
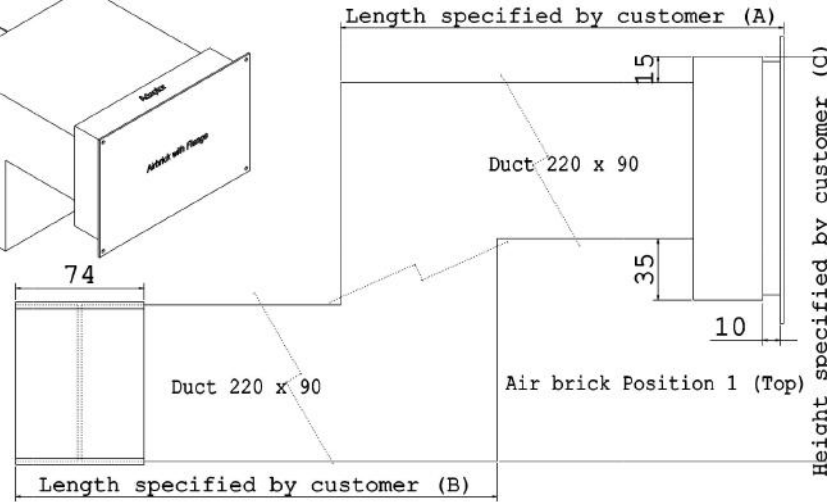
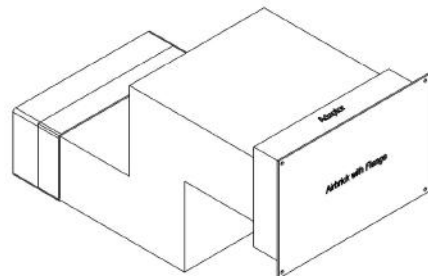


EUROPEAN CLASSIFICATION A1
— NON-COMBUSTIBLE . FIRE SAFE —

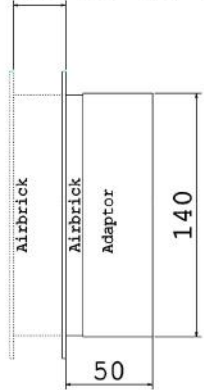


DO NOT SCALE

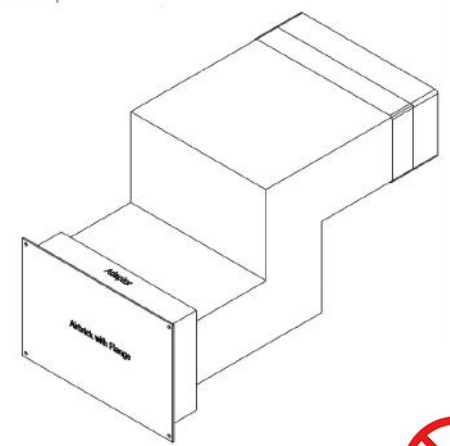
Rytons A1® Fire-rated S-Shape Ducting Kit 220mm x 90mm with Square Holed Double Air Brick Flanged



Telescopic
Up to an extra 30mm



Free Area Calculation
12.7mm x 12.7mm Square Hole = 161.29mm ²
x112 Holes = 18,064.48mm ²



Rytons A1® Fire-rated S-Shape Ducting Kit 220mm x 90mm with Square Holed Double Air Brick Flanged

- Drawings are not to scale • Dimensions are in mm
- Products are hand made and have a tolerance of +/- 5%

Product Code:
A1SSDK220X90SQDF

Square Holed Double Air Brick Flanged
18,064mm² free area (>90% of the duct)

Registered Design 6087687
Patent Pending

V6



Intellectual property of Rytons Building Products Ltd. Not to be copied, distributed or reproduced without Rytons written agreement. In case of query email admin@rytons.com.