

Rytons A1® Fire-rated S-Shape Ducting Kit 220mm x 90mm with FlowRyt® Double Air Brick
Custom RAL colour air brick in matt, semi-gloss or gloss finish achieving Class A2-s1, d0
RAL8004 (Copper brown) matt finish pictured
Registered Design 6087686
Patent Pending
Product Code: A1SSDK220X90FRD

RYTONS
www.vents.co.uk
A Family Business
Since 1972



**MADE IN
BRITAIN**

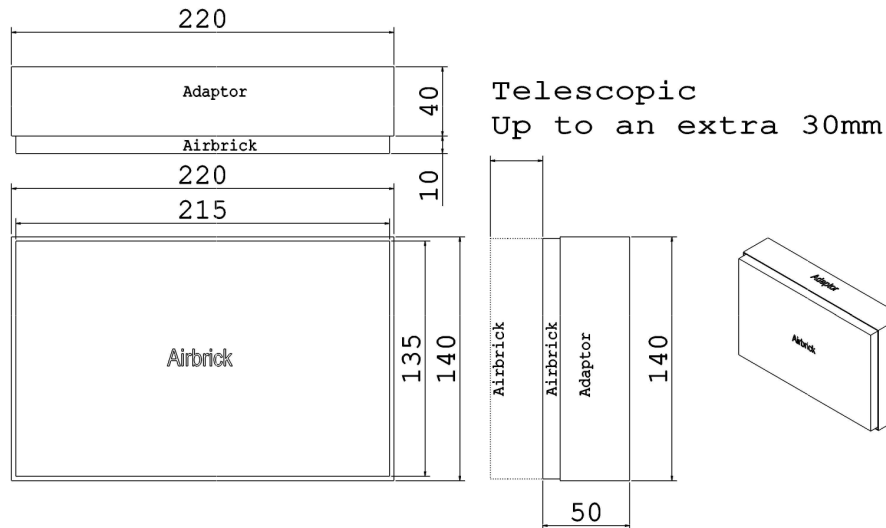
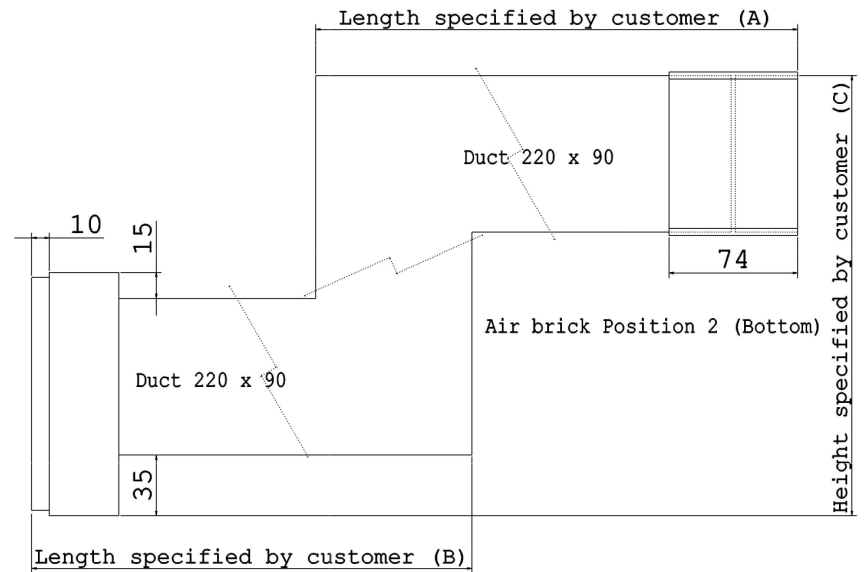
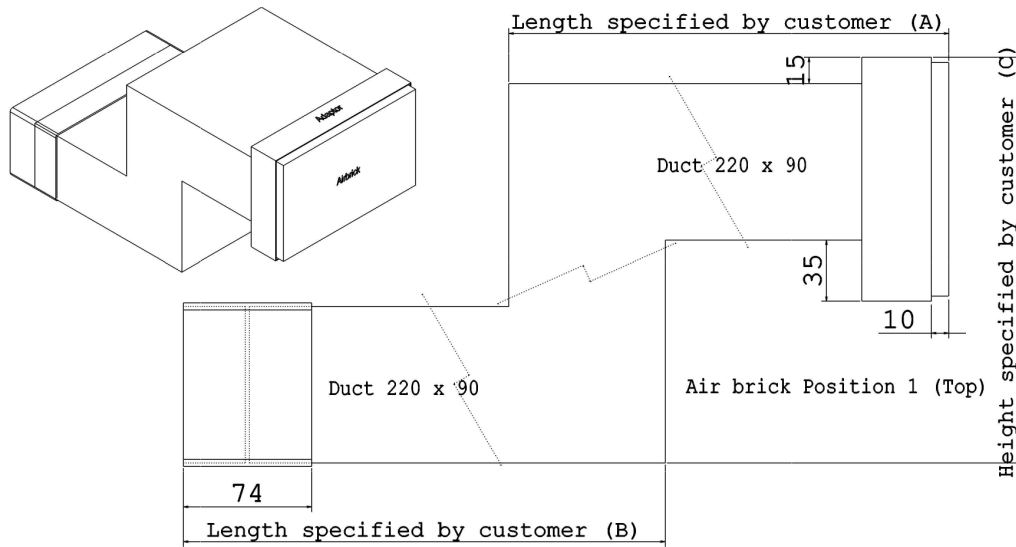


EUROPEAN CLASSIFICATION A1
— NON-COMBUSTIBLE . FIRE SAFE —

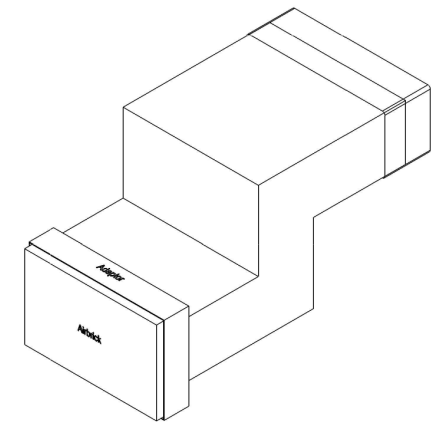


DO NOT SCALE

Rytons A1® Fire-rated S-Shape Ducting Kit 220mm x 90mm with FlowRyt® Double Air Brick



Free Area Calculation
100mm x 10mm FlowRyt® Grille = 1,000mm ²
x18 Grilles = 18,000mm ²



Rytons A1® Fire-rated S-Shape Ducting Kit 220mm x 90mm with FlowRyt® Double Air Brick

Product Code: A1SSDK220X90FRD

FlowRyt® Double Air Brick
18,000mm² free area (>90% of the duct)

Registered Design 6087686
Patent Pending

V6



• Drawings are not to scale • Dimensions are in mm
• Products are hand made and have a tolerance of +/- 5%

Intellectual property of Rytons Building Products Ltd. Not to be copied, distributed or reproduced without Rytons written agreement. In case of query email admin@rytons.com.

