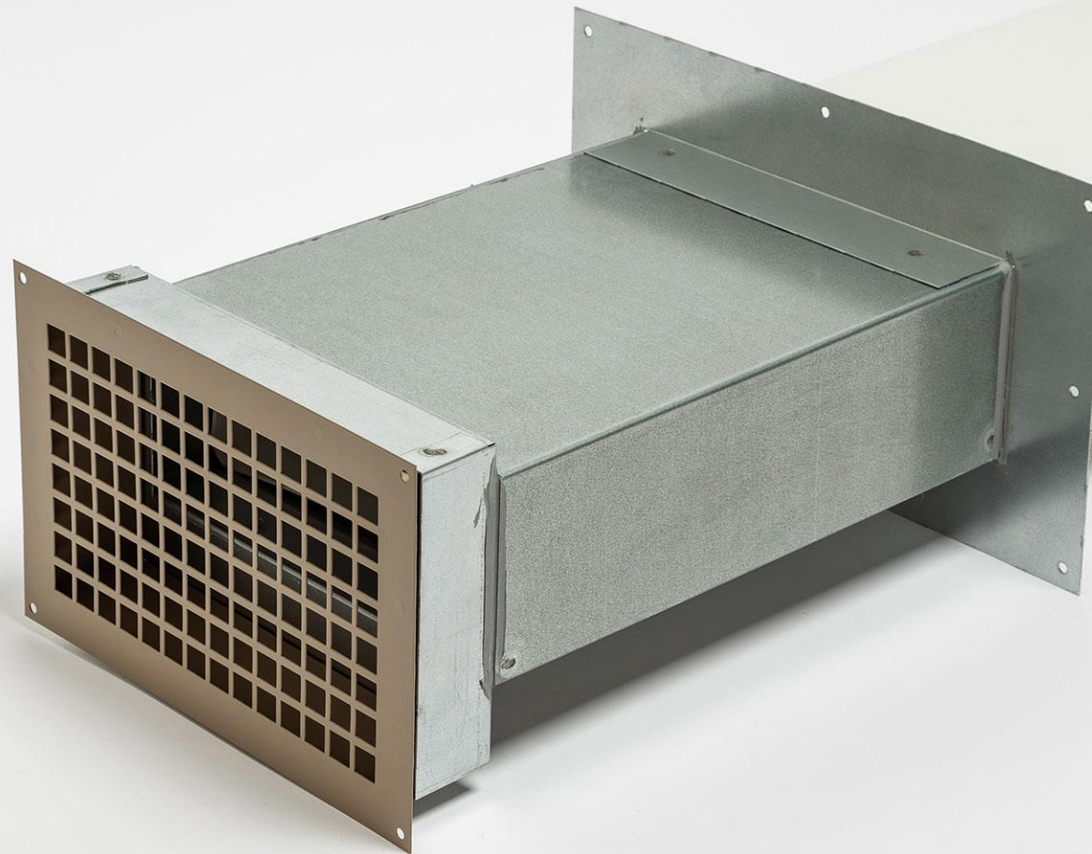


Ryttons A1® Fire-rated Retrofit Ducting Kit 220mm x 90mm with Square Holed Double Air Brick Flanged
Custom RAL colour air brick in matt, semi-gloss or gloss finish achieving Class A2-s1, d0
RAL1019 (Grey beige) matt finish pictured
Registered Design 6085481
Patent Approved
Product Code: A1RFDK220X90SQDF



 **MADE IN
BRITAIN**®



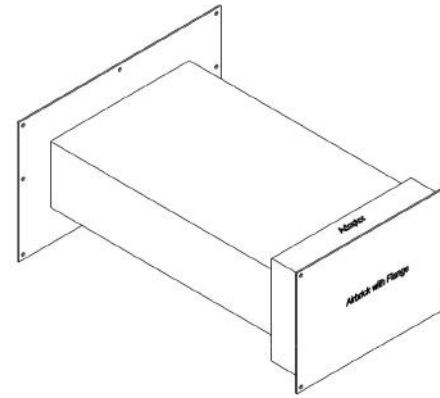
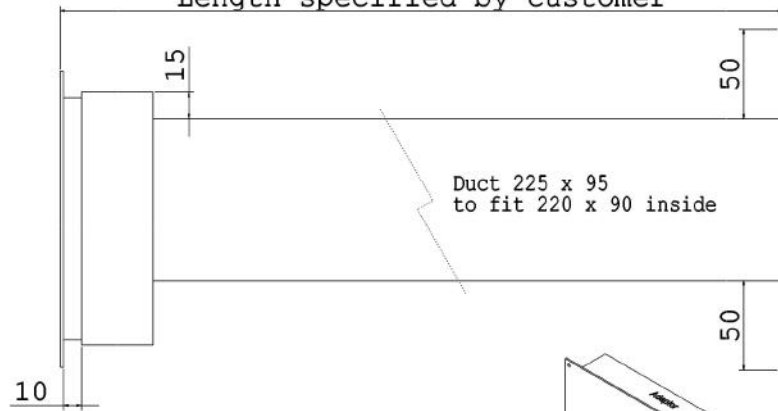
EUROPEAN CLASSIFICATION A1
— NON-COMBUSTIBLE . FIRE SAFE —



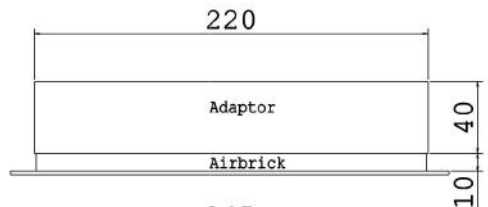
DO NOT SCALE

Rytons A1® Fire-rated Retrofit Ducting Kit 220mm x 90mm with Square Holed Double Air Brick Flanged

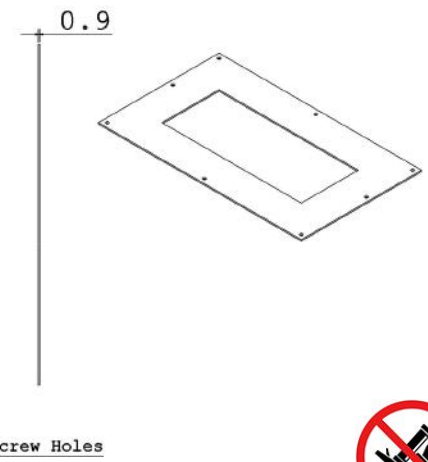
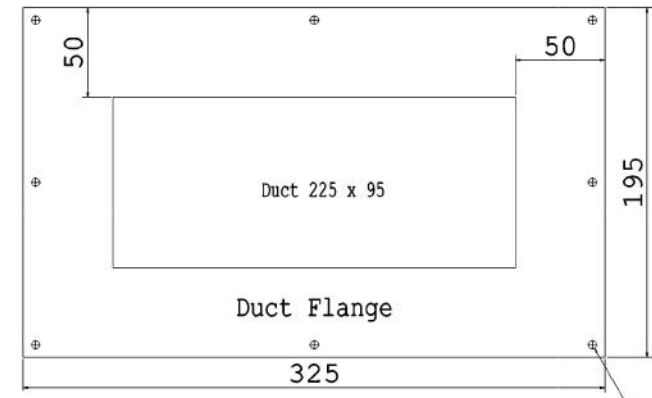
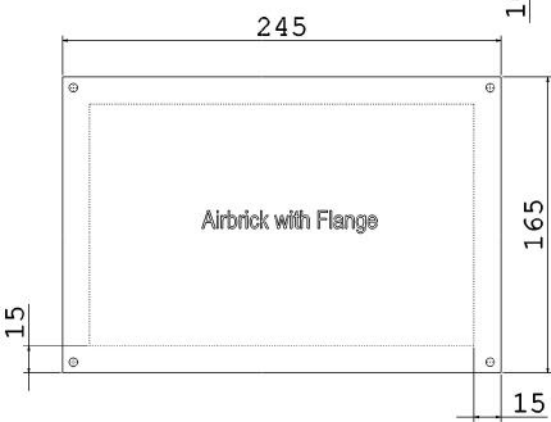
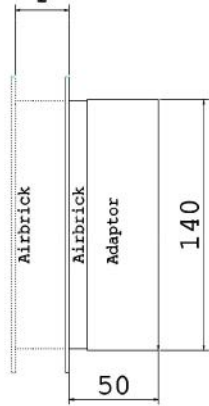
Length specified by customer



Free Area Calculation
12.7mm x 12.7mm Square Hole = 161.29mm ²
x112 Holes = 18,064.48mm ²



Telescopic
Up to an extra 30mm



Rytons A1® Fire-rated Retrofit Ducting Kit 220mm x 90mm with Square Holed Double Air Brick Flanged

- Drawings are not to scale • Dimensions are in mm
- Products are hand made and have a tolerance of +/- 5%

Product Code:
A1RFDK220X90SQDF

Square Holed Double Air Brick Flanged
18,064mm² free area (> 90% of the duct)

Registered Design 6085481
Patent Approved

V4i



Intellectual property of Rytons Building Products Ltd. Not to be copied, distributed or reproduced without Rytons written agreement. In case of query email admin@rytons.com.

