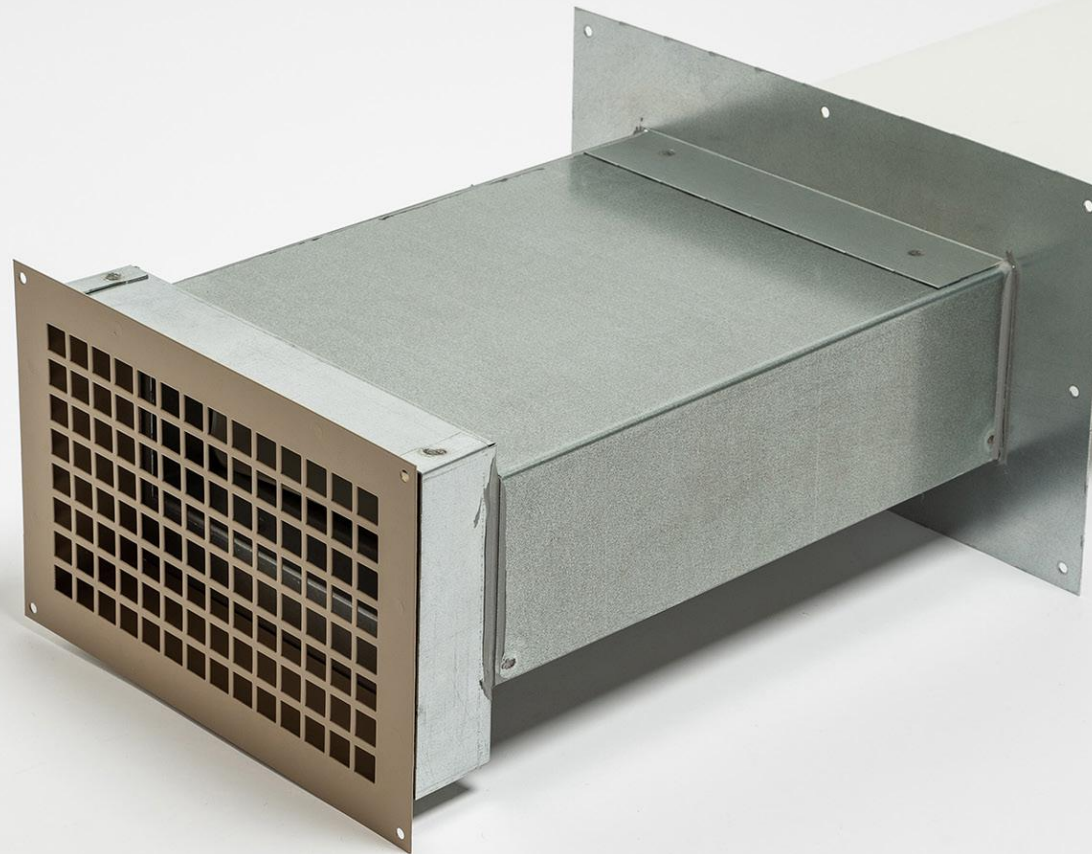


Ryttons A1® Fire-rated Retrofit Ducting Kit 220mm x 90mm with Square Holed Double Air Brick Flanged  
Custom RAL colour air brick in matt, semi-gloss or gloss finish achieving Class A2-s1, d0  
RAL1019 (Grey beige) matt finish pictured  
Registered Design 6085481  
Patent Pending  
Product Code: A1RFDK220X90SQDF



**MADE IN  
BRITAIN**



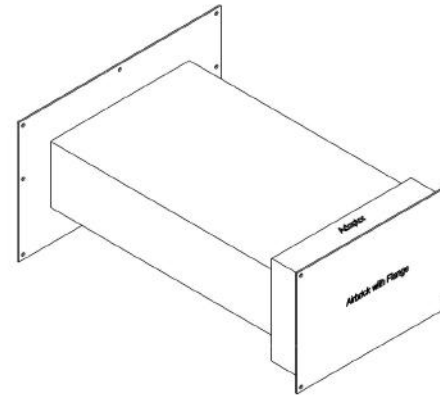
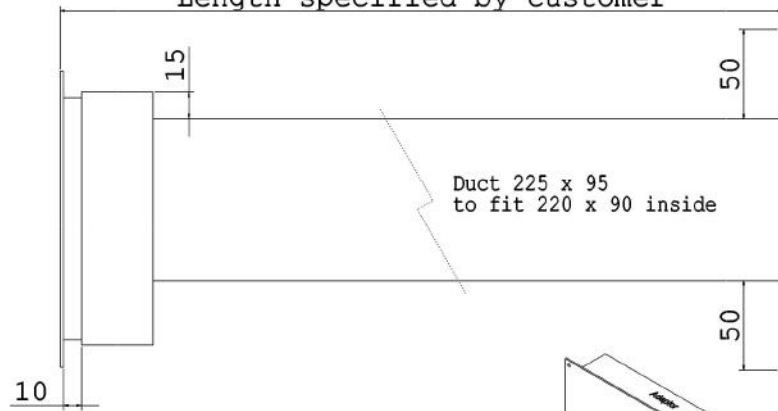
**EUROPEAN CLASSIFICATION A1**  
— NON-COMBUSTIBLE . FIRE SAFE —



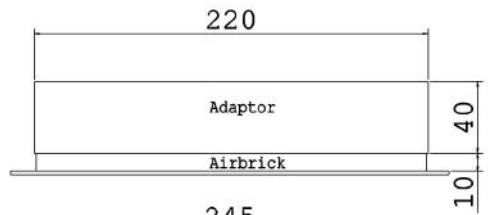
DO NOT SCALE

Rytons A1® Fire-rated Retrofit Ducting Kit 220mm x 90mm with Square Holed Double Air Brick Flanged

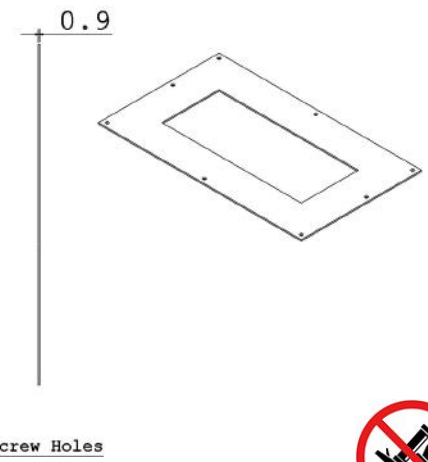
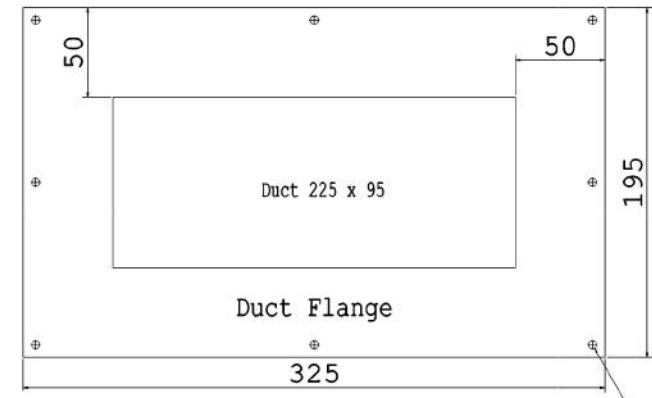
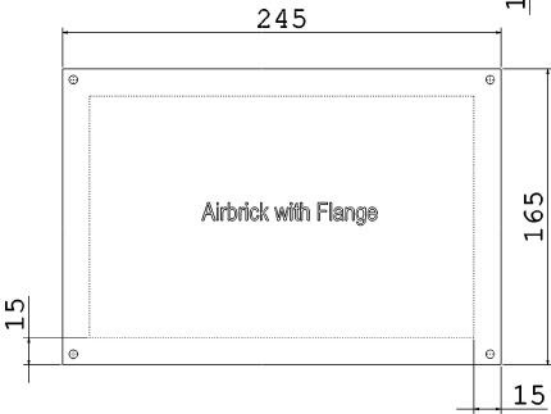
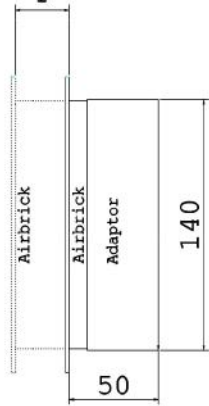
Length specified by customer



Free Area Calculation
12.7mm x 12.7mm Square Hole = 161.29mm <sup>2</sup>
x112 Holes = 18,064.48mm <sup>2</sup>



Telescopic  
Up to an extra 30mm



Rytons A1® Fire-rated Retrofit Ducting Kit 220mm x 90mm with Square Holed Double Air Brick Flanged

- Drawings are not to scale
- Dimensions are in mm
- Products are hand made and have a tolerance of +/- 5%

Product Code: A1RFDK220X90SQDF

Intellectual property of Rytons Building Products Ltd. Not to be copied, distributed or reproduced without Rytons written agreement. In case of query email admin@rytons.com.

Square Holed Double Air Brick Flanged  
18,064mm<sup>2</sup> free area (> 90% of the duct)

Registered Design 6085481  
Patent Pending

V4

