

Rytons A1® Fire-rated Retrofit Ducting Kit 220mm x 90mm with Square Holed Double Air Brick
Custom RAL colour air brick in matt, semi-gloss or gloss finish achieving Class A2-s1, d0
RAL1019 (Grey beige) matt finish pictured
Registered Design 6085480
Patent Pending
Product Code: A1RFDK220X90SQD



**MADE IN
BRITAIN**

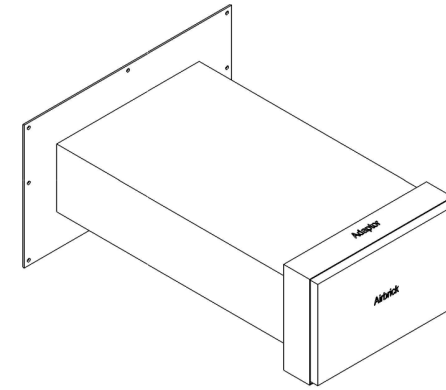
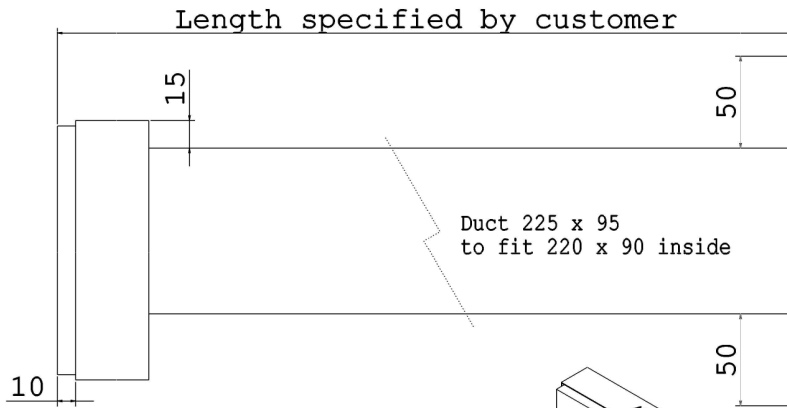


EUROPEAN CLASSIFICATION A1
— NON-COMBUSTIBLE . FIRE SAFE —

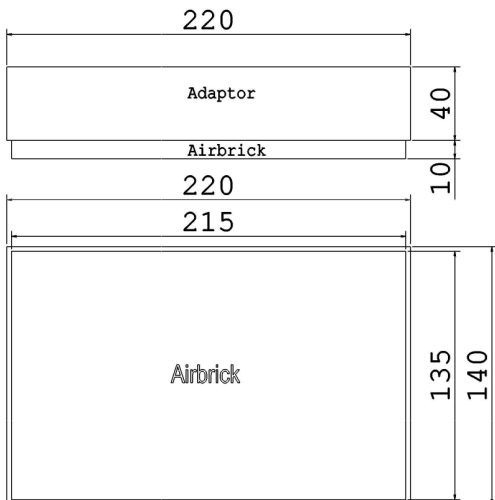


DO NOT SCALE

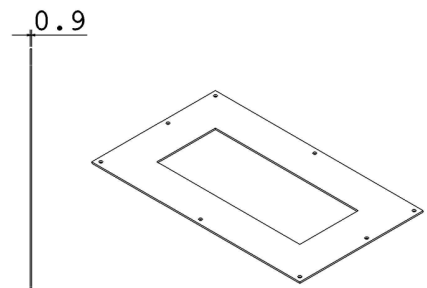
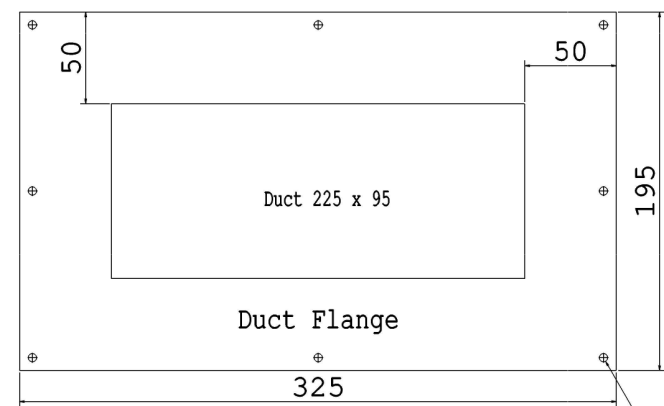
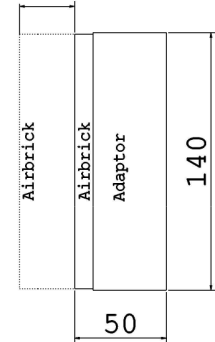
Rytons A1® Fire-rated Retrofit Ducting Kit 220mm x 90mm with Square Holed Double Air Brick



| Free Area Calculation |
|---|
| 12.7mm x 12.7mm Square Hole = 161.29mm ² |
| x112 Holes = 18,064.48mm ² |



Telescopic
Up to an
extra 30mm



Rytons A1® Fire-rated Retrofit Ducting Kit 220mm x 90mm with Square Holed Double Air Brick

- Drawings are not to scale
- Dimensions are in mm
- Products are hand made and have a tolerance of +/- 5%

Product Code: A1RFDK220X90SQD

Intellectual property of Rytons Building Products Ltd. Not to be copied, distributed or reproduced without Rytons written agreement. In case of query email admin@rytons.com.

Square Holed Double Air Brick
18,064mm² free area (> 90% of the duct)

Registered Design 6085480
Patent Pending

V4

