

Rytons A1® Fire-rated Retrofit Ducting Kit 220mm x 90mm with FlowRyt® Double Air Brick  
Custom RAL colour air brick in matt, semi-gloss or gloss finish achieving Class A2-s1, d0  
RAL1019 (Grey beige) matt finish pictured  
Registered Design 6085480  
Patent Pending  
Product Code: A1RFDK220X90FRD



**MADE IN  
BRITAIN**

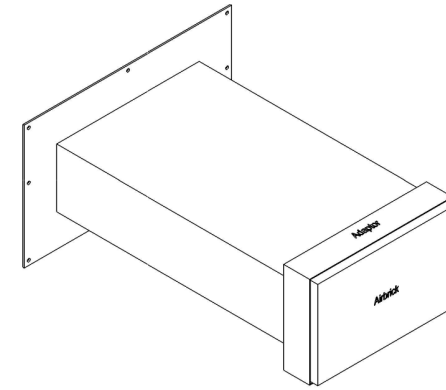
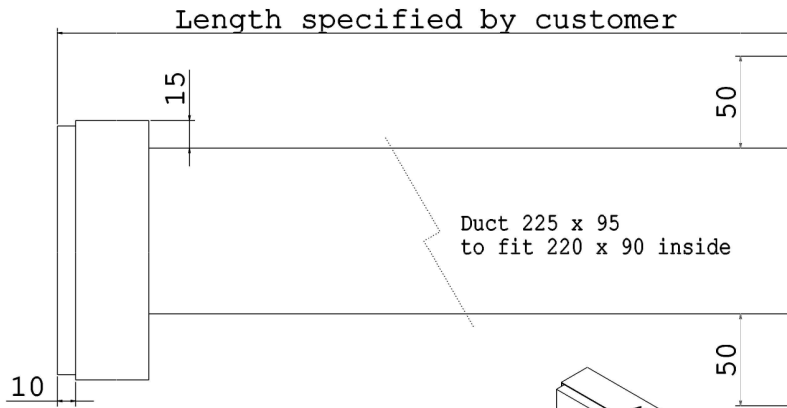


**EUROPEAN CLASSIFICATION A1**  
— NON-COMBUSTIBLE . FIRE SAFE —

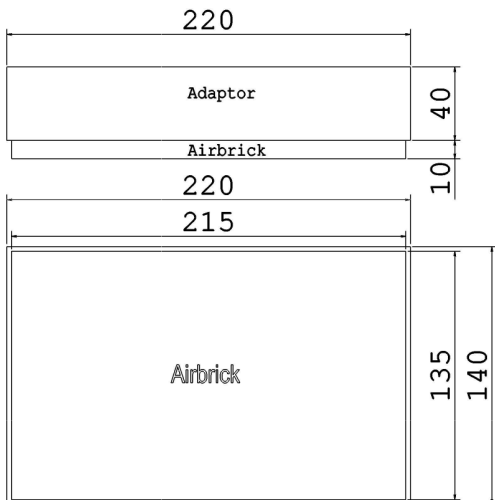


DO NOT SCALE

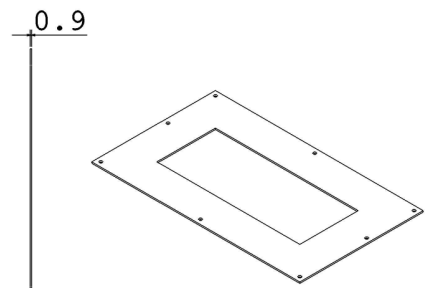
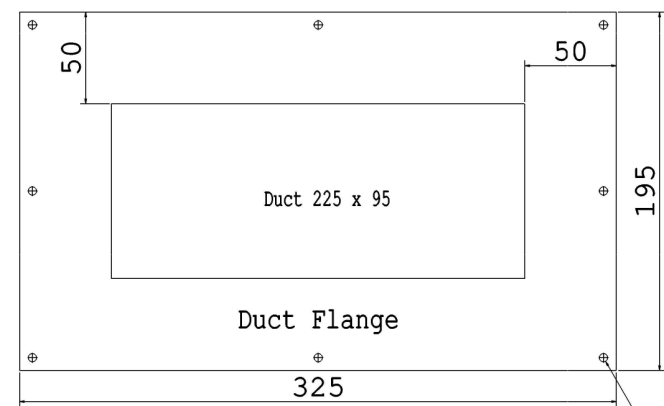
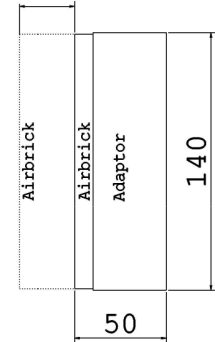
Rytons A1® Fire-rated Retrofit Ducting Kit 220mm x 90mm with FlowRyt® Double Air Brick



Free Area Calculation
100mm x 10mm FlowRyt® Grille = 1,000mm <sup>2</sup>
x18 Grilles = 18,000mm <sup>2</sup>



Telescopic  
Up to an  
extra 30mm



8 x Screw Holes



Rytons A1® Fire-rated Retrofit Ducting Kit 220mm x 90mm with FlowRyt® Double Air Brick

- Drawings are not to scale
- Dimensions are in mm
- Products are hand made and have a tolerance of +/- 5%

Product Code: A1RFDK220X90FRD

FlowRyt® Double Air Brick  
18,000mm<sup>2</sup> free area (> 90% of the duct)

Registered Design 6085480  
Patent Pending

V4



Intellectual property of Rytons Building Products Ltd. Not to be copied, distributed or reproduced without Rytons written agreement. In case of query email admin@rytons.com.