

Ryttons A1® Fire-rated Ducting Kit 220mm x 90mm with FlowRyt® Double Air Brick Flanged
Custom RAL colour air brick in matt, semi-gloss or gloss finish achieving Class A2-s1, d0
RAL8004 (Copper brown) matt finish pictured
Registered Design 6085479
Patent Approved
Product Code: A1DK220X90FRDF



**MADE IN
BRITAIN**

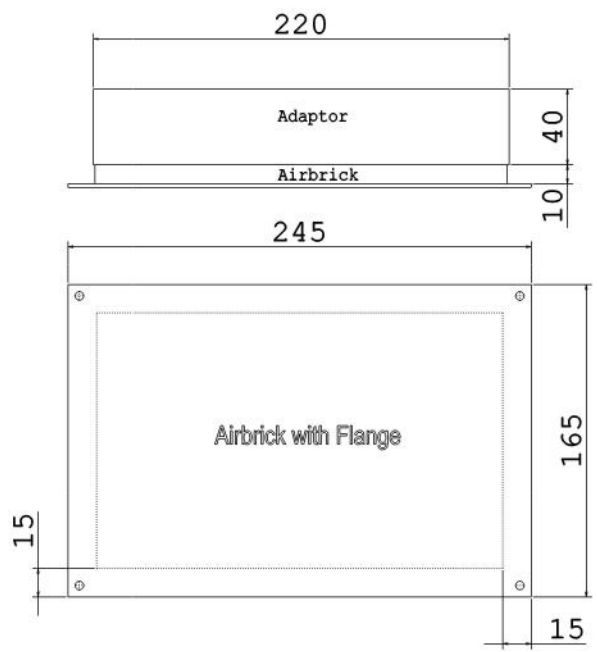
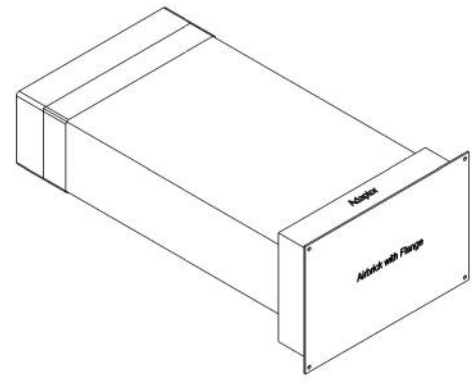
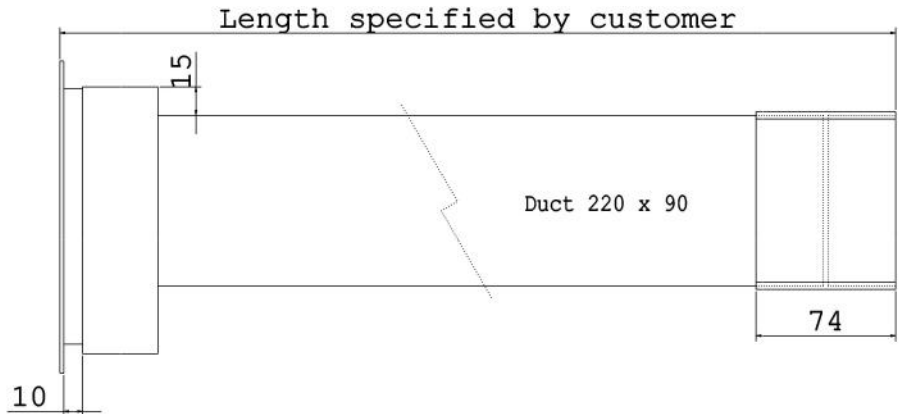


EUROPEAN CLASSIFICATION A1
— NON-COMBUSTIBLE . FIRE SAFE —

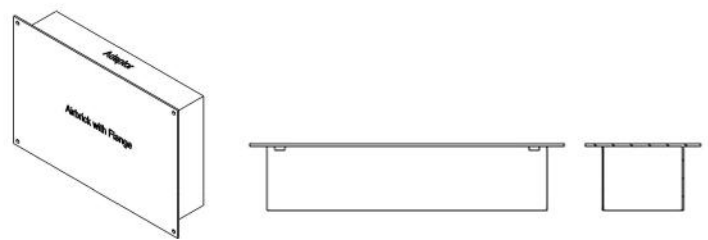
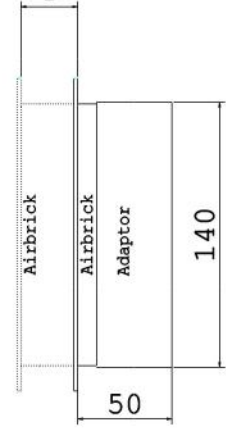


DO NOT SCALE

Rytons A1® Fire-rated Ducting Kit 220mm x 90mm with FlowRyt® Double Air Brick Flanged



Telescopic
Up to an extra 30mm



Free Area Calculation
100mm x 10mm FlowRyt® Grille = 1,000mm ²
x18 Grilles = 18,000mm ²



Rytons A1® Fire-rated Ducting Kit 220mm x 90mm with FlowRyt® Double Air Brick Flanged

- Drawings are not to scale
- Dimensions are in mm
- Products are hand made and have a tolerance of +/- 5%

Product Code: A1DK220X90FRDF

Intellectual property of Rytons Building Products Ltd. Not to be copied, distributed or reproduced without Rytons written agreement. In case of query email admin@rytons.com.

FlowRyt® Double Air Brick Flanged
18,000mm² free area (> 90% of the duct)

Registered Design 6085479
Patent Approved

V4i

