

Rytons A1® Fire-rated Ducting Kit 220mm x 90mm with FlowRyt® Double Air Brick Flanged  
Custom RAL colour air brick in matt, semi-gloss or gloss finish achieving Class A2-s1, d0  
RAL8004 (Copper brown) matt finish pictured  
Registered Design 6085479  
Patent Pending  
Product Code: A1DK220X90FRDF

**RYTONS**  
www.vents.co.uk  
*A Family Business*  
*Since 1972*



**MADE IN  
BRITAIN**

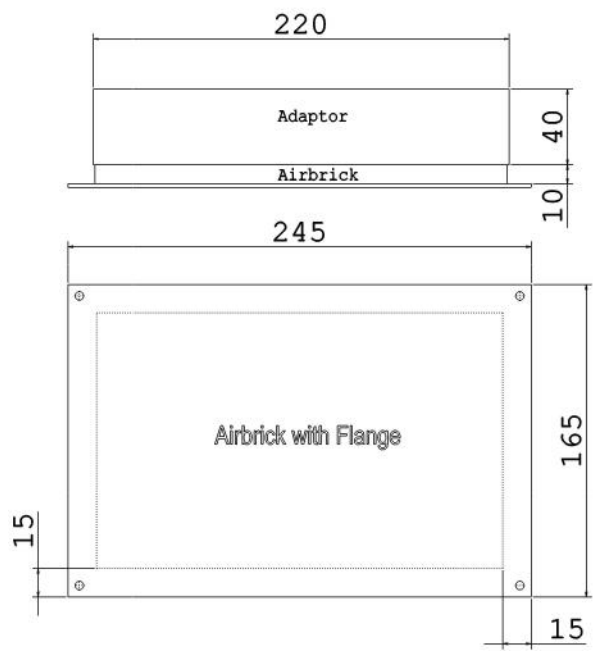
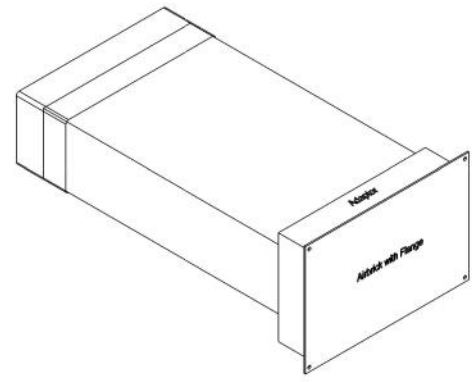
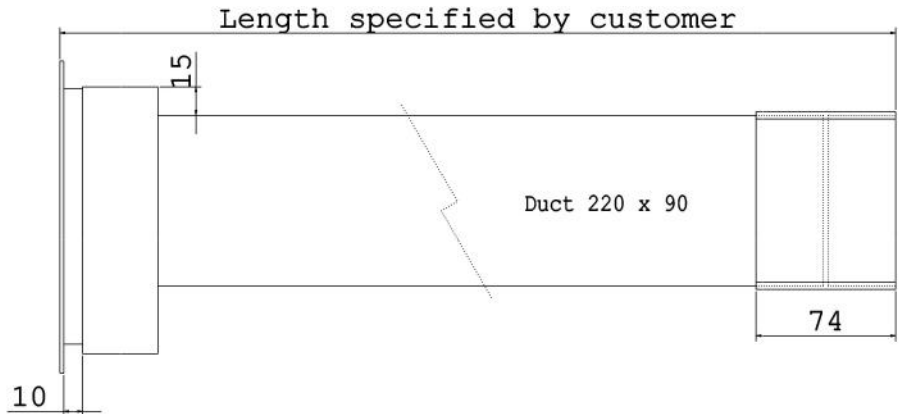


**EUROPEAN CLASSIFICATION A1**  
— NON-COMBUSTIBLE . FIRE SAFE —

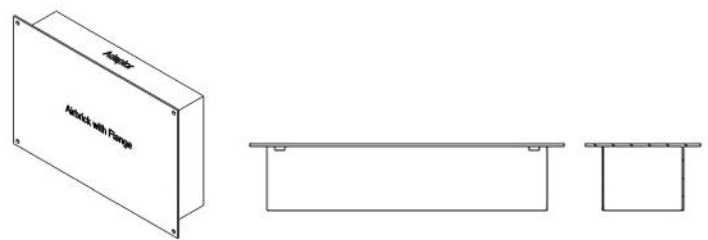
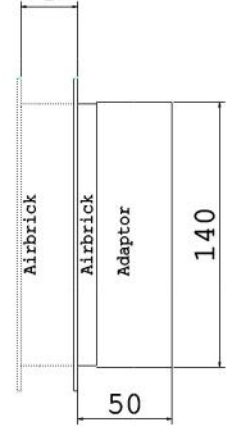


DO NOT SCALE

# Rytons A1® Fire-rated Ducting Kit 220mm x 90mm with FlowRyt® Double Air Brick Flanged



Telescopic  
Up to an extra 30mm



Free Area Calculation
100mm x 10mm FlowRyt® Grille = 1,000mm <sup>2</sup>
x18 Grilles = 18,000mm <sup>2</sup>



Rytons A1® Fire-rated Ducting Kit 220mm x 90mm with FlowRyt® Double Air Brick Flanged

- Drawings are not to scale
- Dimensions are in mm
- Products are hand made and have a tolerance of +/- 5%

Product Code: A1DK220X90FRDF

Intellectual property of Rytons Building Products Ltd. Not to be copied, distributed or reproduced without Rytons written agreement. In case of query email admin@rytons.com.

FlowRyt® Double Air Brick Flanged  
18,000mm<sup>2</sup> free area (> 90% of the duct)

Registered Design 6085479  
Patent Pending

V4



EUROPEAN CLASSIFICATION A1  
NON-COMBUSTIBLE - FIRE SAFE

**MADE IN BRITAIN**

