

Ryttons A1® Fire-rated 90° Ducting Kit 220mm x 90mm with Square Holed Double Air Brick Flanged
Custom RAL colour air brick in matt, semi-gloss or gloss finish achieving Class A2-s1, d0
RAL8004 (Copper brown) matt finish pictured
Registered Design 6085482
Patent Pending
Product Code: A190DK220X90SQDF



MADE IN BRITAIN

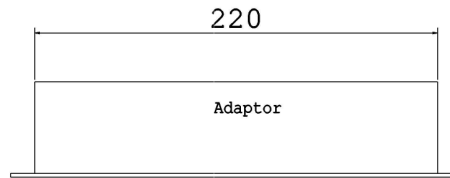
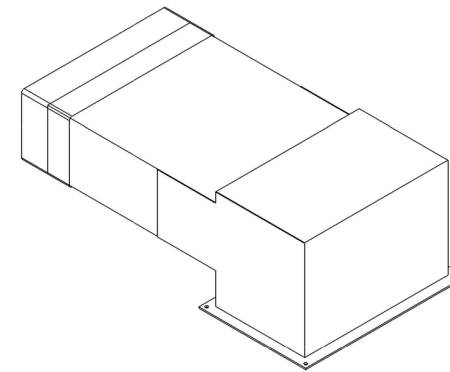
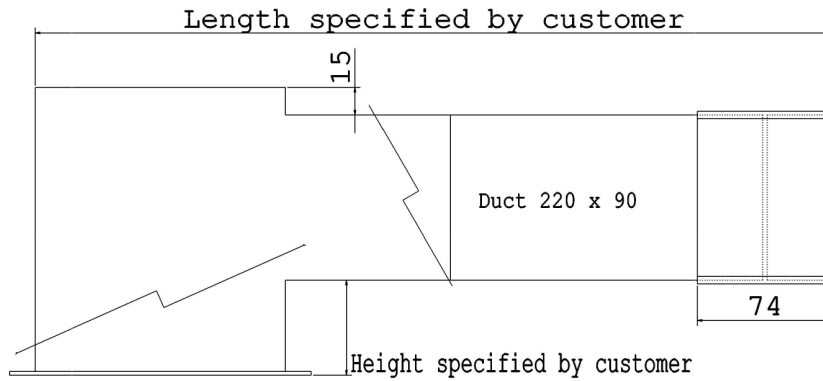


EUROPEAN CLASSIFICATION A1
— NON-COMBUSTIBLE . FIRE SAFE —



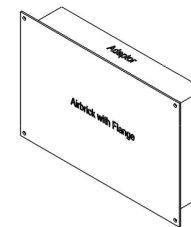
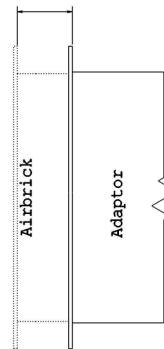
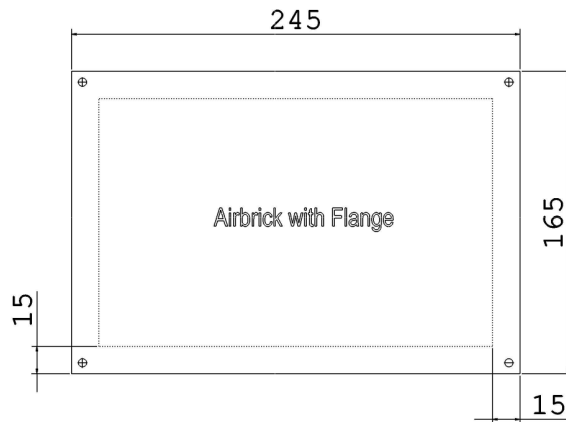
DO NOT SCALE

Rytons A1® Fire-rated 90° Ducting Kit 220mm x 90mm with Square Holed Double Air Brick Flanged



Free Area Calculation
12.7mm x 12.7mm Square Hole = 161.29mm ²
x112 Holes = 18,064.48mm ²

Telescopic
Up to an extra 40mm



Rytons A1® Fire-rated 90° Ducting Kit 220mm x 90mm with Square Holed Double Air Brick Flanged

Product Code:
A190DK220X90SQDF

Square Holed Double Air Brick Flanged
18,064mm² free area (> 90% of the duct)

Registered Design 6085482
Patent Pending

V5



- Drawings are not to scale
- Dimensions are in mm
- Products are hand made and have a tolerance of +/- 5%

Intellectual property of Rytons Building Products Ltd. Not to be copied, distributed or reproduced without Rytons written agreement. In case of query email admin@rytons.com.

