

Rytons A1® Fire-rated S-Shape Ducting Kit 204mm x 60mm with Return Grille Single Air Brick Flanged
Custom RAL colour air brick in matt, semi-gloss or gloss finish achieving Class A2-s1, d0
Registered Design 6087690
Product Code: A1SSDK204X60RGSF



**MADE IN
BRITAIN**

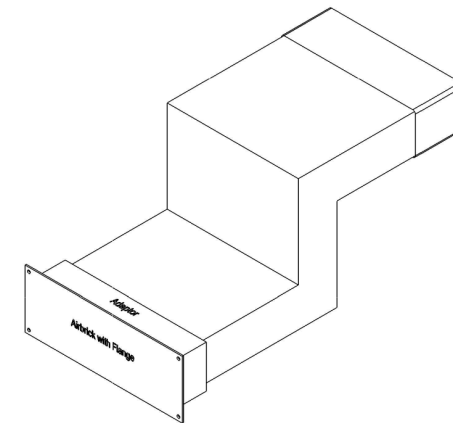
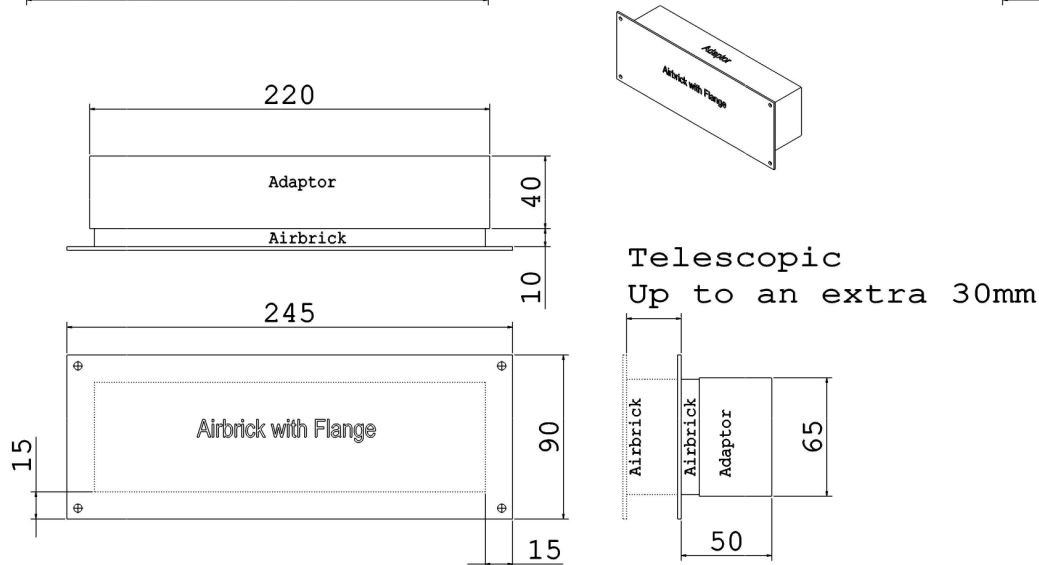
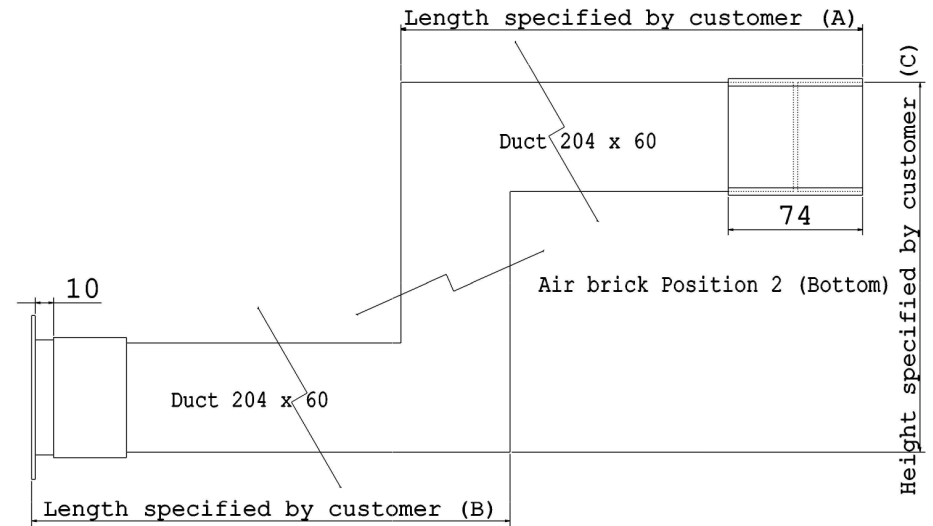
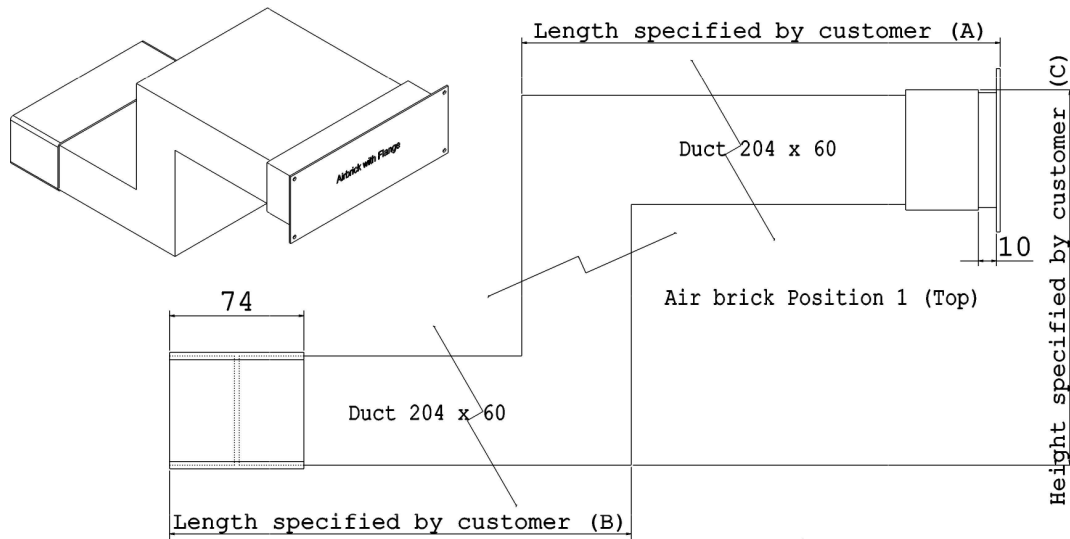


EUROPEAN CLASSIFICATION A1
— NON-COMBUSTIBLE . FIRE SAFE —



DO NOT SCALE

Rytons A1® Fire-rated S-Shape Ducting Kit 204mm x 60mm with Return Grille Single Air Brick Flanged



Rytons A1® Fire-rated S-Shape Ducting Kit 204mm x 60mm with Return Grille Single Air Brick Flanged

- Drawings are not to scale
- Dimensions are in mm
- Products are hand made and have a tolerance of +/- 5%

Product Code: A1SSDK204X60RGSF

Return Grille Single Air Brick Flanged
7,200mm² free area

Registered Design No.: 6087690 V4



Intellectual property of Rytons Building Products Ltd. Not to be copied, distributed or reproduced without Rytons written agreement. In case of query email admin@rytons.com.

