

Rytons A1® Fire-rated S-Shape Ducting Kit 204mm x 60mm with Return Grille Single Air Brick
Custom RAL colour air brick in matt, semi-gloss or gloss finish achieving Class A2-s1, d0
RAL8004 (Copper brown) matt finish pictured
Registered Design 6087692
Patent Pending
Product Code: A1SSDK204X60RGS



**MADE IN
BRITAIN**

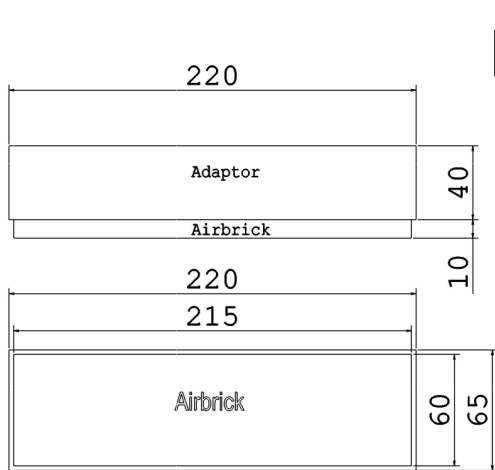
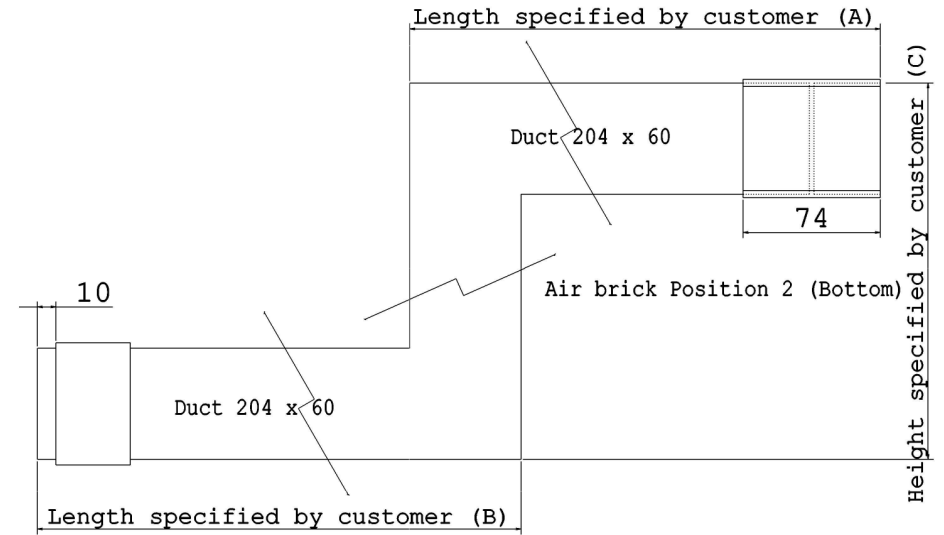
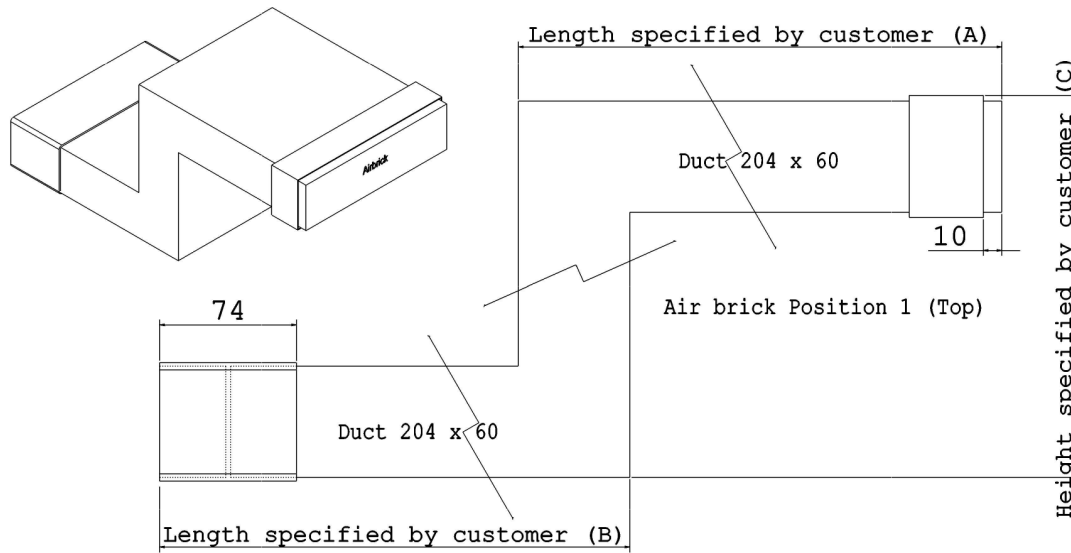


EUROPEAN CLASSIFICATION A1
— NON-COMBUSTIBLE . FIRE SAFE —

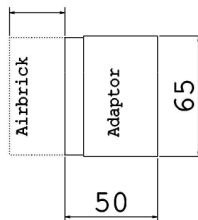


DO NOT SCALE

Rytons A1® Fire-rated S-Shape Ducting Kit 204mm x 60mm with Return Grille Single Air Brick

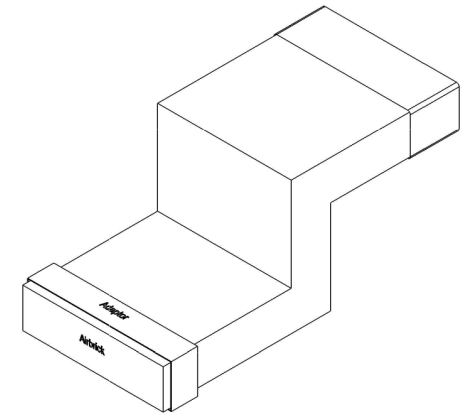


Telescopic
Up to an extra 30mm



Free Area Calculation

90mm x 8mm Return Grille = 720mm²
x10 Grilles = 7,200mm²



Rytons A1® Fire-rated S-Shape Ducting Kit 204mm x 60mm with Return Grille Single Air Brick

Product Code: A1SSDK204X60RGS

Return Grille Single Air Brick 7,200mm² free area

Registered Design 6087691 Patent Pending

V5



• Drawings are not to scale • Dimensions are in mm
• Products are hand made and have a tolerance of +/- 5%

Intellectual property of Rytons Building Products Ltd. Not to be copied, distributed or reproduced without Rytons written agreement. In case of query email admin@rytons.com.

