

Rytons A1® Fire-rated S-Shape Ducting Kit 204mm x 60mm with Return Grille Single Air Brick
Custom RAL colour air brick in matt, semi-gloss or gloss finish achieving Class A2-s1, d0
Registered Design 6087691
Product Code: A1SSDK204X60RGS



**MADE IN
BRITAIN**

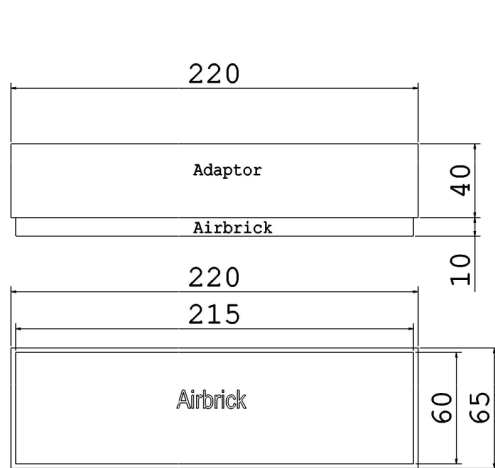
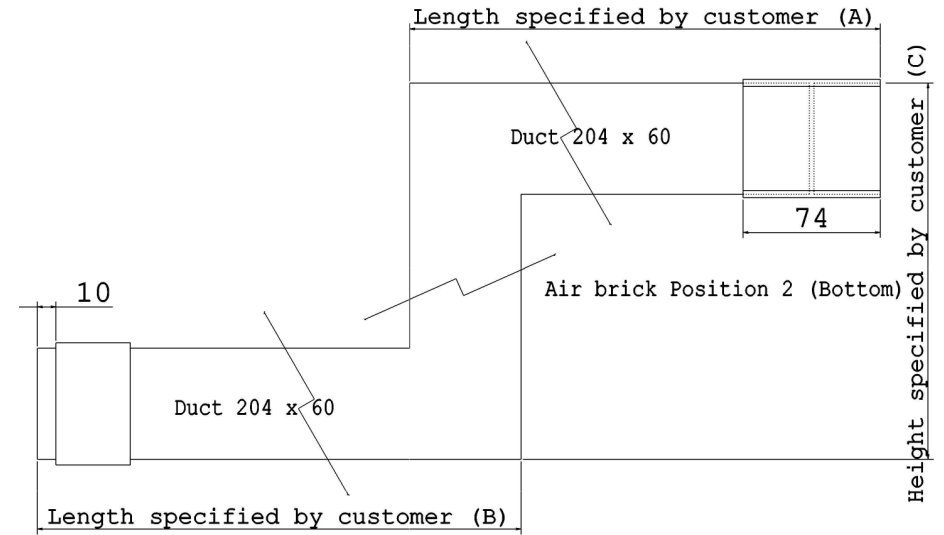
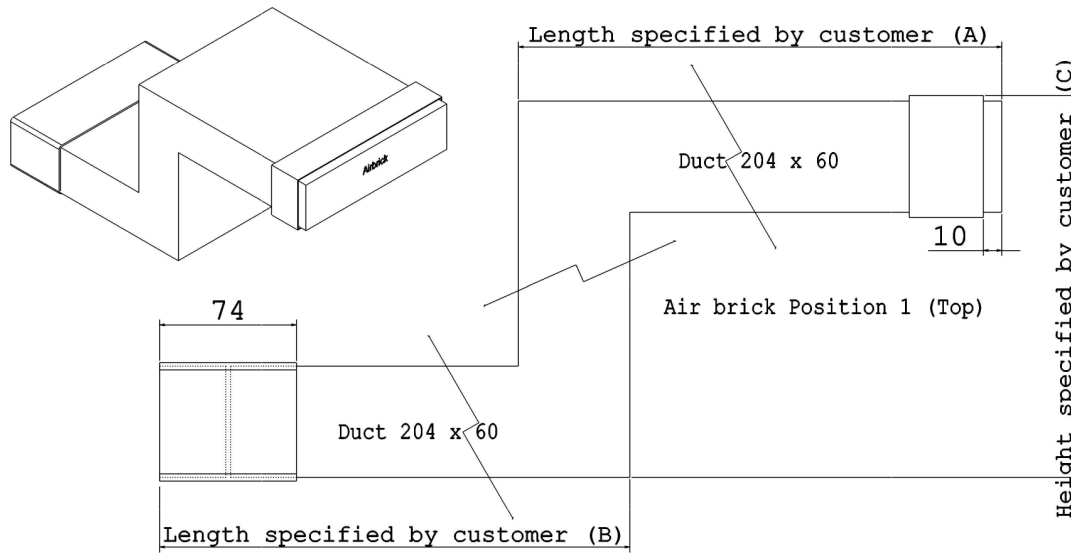


EUROPEAN CLASSIFICATION A1
— NON-COMBUSTIBLE . FIRE SAFE —

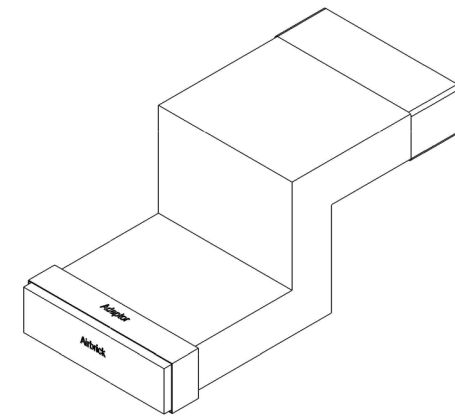
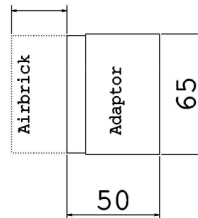


DO NOT SCALE

Rytons A1® Fire-rated S-Shape Ducting Kit 204mm x 60mm with Return Grille Single Air Brick



Telescopic
Up to an extra 30mm



Rytons A1® Fire-rated S-Shape Ducting Kit 204mm x 60mm with Return Grille Single Air Brick

- Drawings are not to scale • Dimensions are in mm
- Products are hand made and have a tolerance of +/- 5%

Product Code:
A1SSDK204X60RGS

Return Grille Single Air Brick
7,200mm² free area

Registered Design No.:
6087691 V4



Intellectual property of Rytons Building Products Ltd. Not to be copied, distributed or reproduced without Rytons written agreement. In case of query email admin@rytons.com.

