

Rytons A1® Fire-rated S-Shape Ducting Kit 204mm x 60mm with FlowRyt® Single Air Brick  
Custom RAL colour air brick in matt, semi-gloss or gloss finish achieving Class A2-s1, d0  
RAL8004 (Copper brown) matt finish pictured  
Registered Design 6087692  
Patent Approved  
Product Code: A1SSDK204X60FRS

**RYTONS**  
www.vents.co.uk  
*A Family Business*  
*Since 1972*



**MADE IN  
BRITAIN**

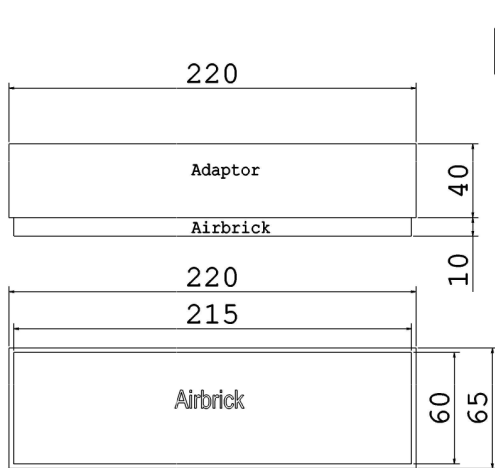
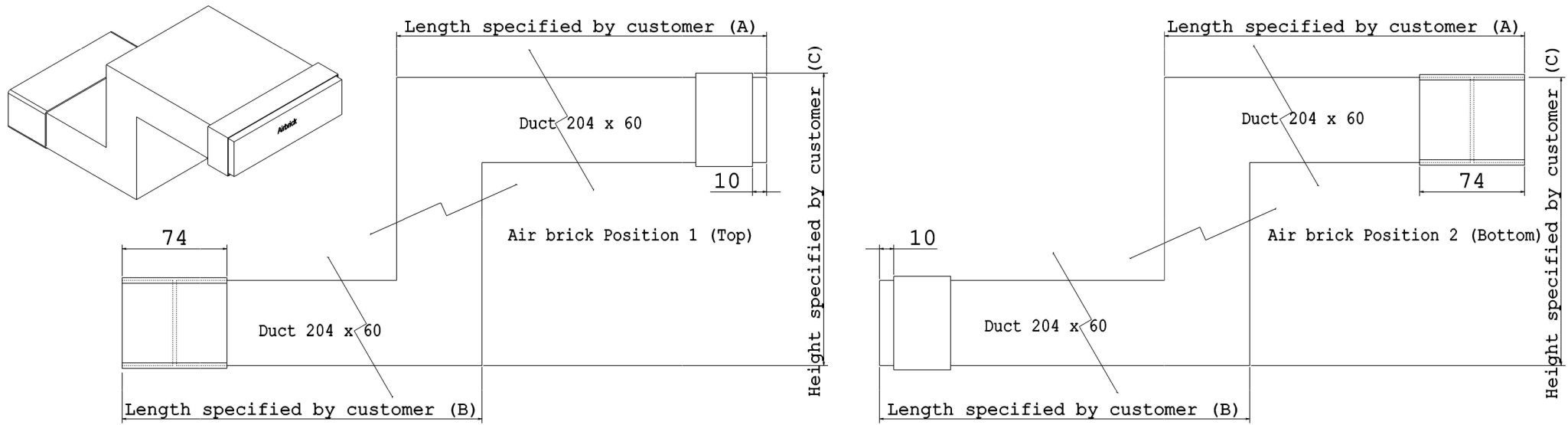


**EUROPEAN CLASSIFICATION A1**  
— NON-COMBUSTIBLE . FIRE SAFE —

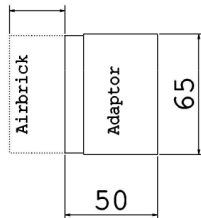


DO NOT SCALE

Rytons A1® Fire-rated S-Shape Ducting Kit 204mm x 60mm with FlowRyt® Single Air Brick

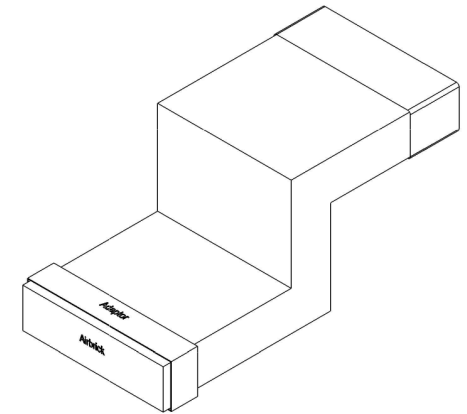


Telescopic  
Up to an extra 30mm



Free Area Calculation

100mm x 10mm FlowRyt® Grille = 1,000mm<sup>2</sup>  
x8 Grilles = 8,000mm<sup>2</sup>



Rytons A1® Fire-rated S-Shape Ducting Kit 204mm x 60mm with FlowRyt® Single Air Brick

Product Code:  
A1SSDK204X60FRS

FlowRyt® Single Air Brick  
8,000mm<sup>2</sup> free area

Registered Design 6087691  
Patent Approved

V5i



• Drawings are not to scale • Dimensions are in mm  
• Products are hand made and have a tolerance of +/- 5%

Intellectual property of Rytons Building Products Ltd. Not to be copied, distributed or reproduced without Rytons written agreement. In case of query email admin@rytons.com.

