

Rytons A1® Fire-rated S-Shape Ducting Kit 204mm x 60mm with FlowRyt® Single Air Brick
Custom RAL colour air brick in matt, semi-gloss or gloss finish achieving Class A2-s1, d0
RAL8004 (Copper brown) matt finish pictured
Registered Design 6087692
Patent Pending
Product Code: A1SSDK204X60FRS

RYTONS
www.vents.co.uk
A Family Business
Since 1972



**MADE IN
BRITAIN**

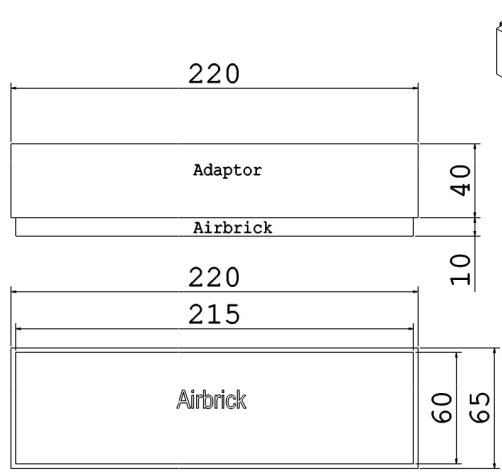
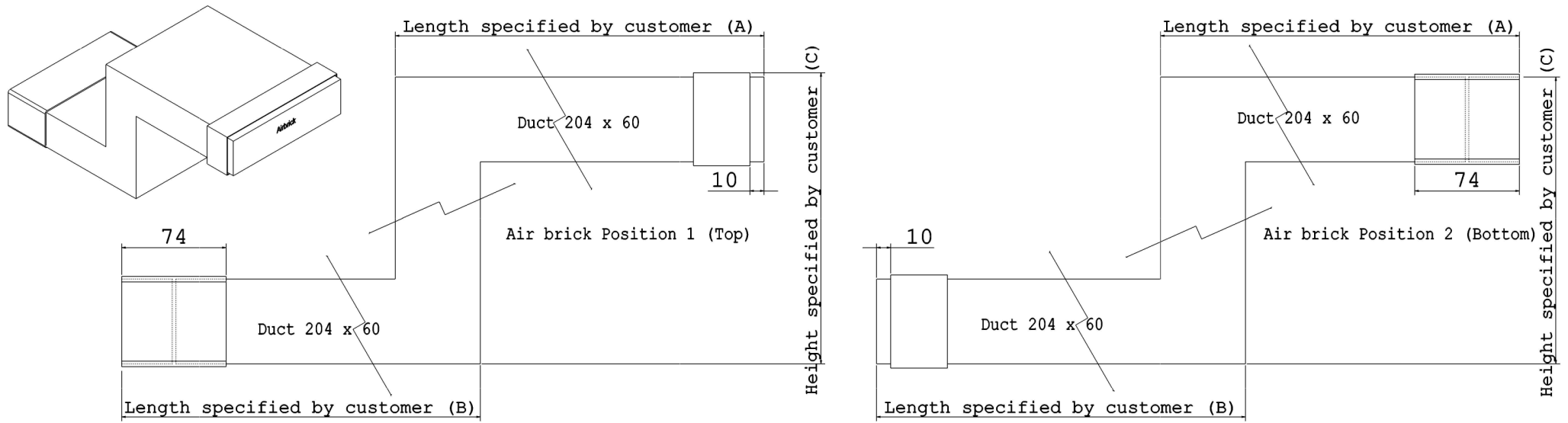


EUROPEAN CLASSIFICATION A1
— NON-COMBUSTIBLE . FIRE SAFE —



DO NOT SCALE

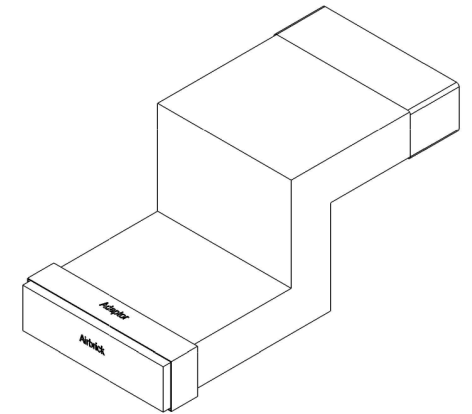
Rytons A1® Fire-rated S-Shape Ducting Kit 204mm x 60mm with FlowRyt® Single Air Brick



Telescopic
Up to an extra 30mm

Free Area Calculation

100mm x 10mm FlowRyt® Grille = 1,000mm²
x8 Grilles = 8,000mm²



Rytons A1® Fire-rated S-Shape Ducting Kit 204mm x 60mm with FlowRyt® Single Air Brick

Product Code:
A1SSDK204X60FRS

FlowRyt® Single Air Brick
8,000mm² free area

Registered Design 6087691
Patent Pending

V5



• Drawings are not to scale • Dimensions are in mm
• Products are hand made and have a tolerance of +/- 5%

Intellectual property of Rytons Building Products Ltd. Not to be copied, distributed or reproduced without Rytons written agreement. In case of query email admin@rytons.com.

