

Rytons A1® Fire-rated S-Shape Ducting Kit 204mm x 60mm with FlowRyt® Single Air Brick  
Custom RAL colour air brick in matt, semi-gloss or gloss finish achieving Class A2-s1, d0  
Registered Design 6087691  
Product Code: A1SSDK204X60FRS



**MADE IN  
BRITAIN**

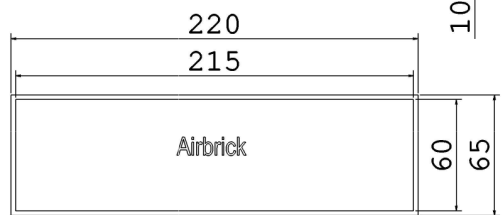
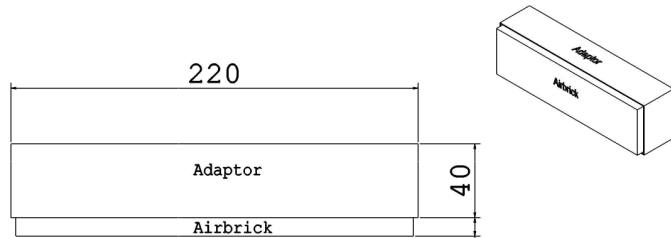
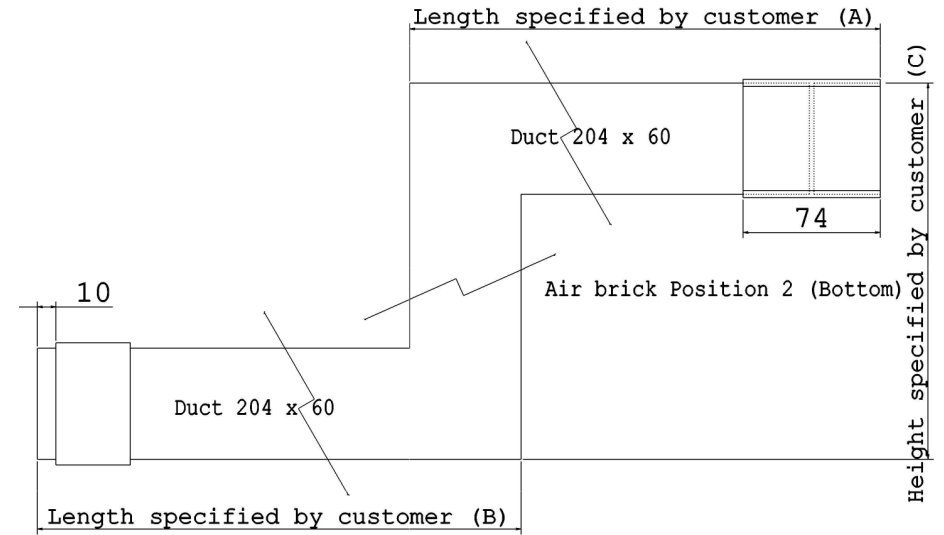
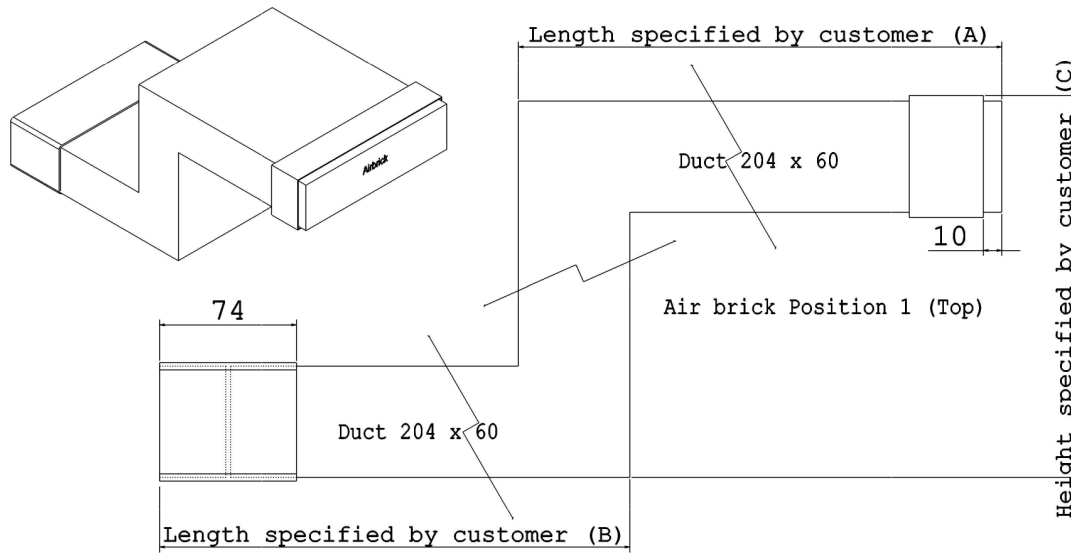


**EUROPEAN CLASSIFICATION A1**  
— NON-COMBUSTIBLE . FIRE SAFE —

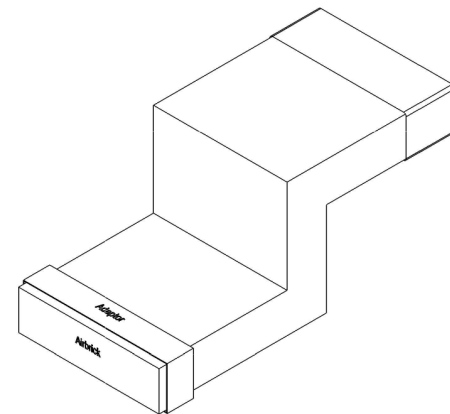
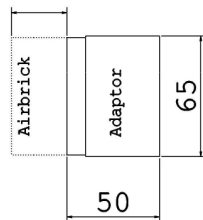


DO NOT SCALE

Rytons A1® Fire-rated S-Shape Ducting Kit 204mm x 60mm with FlowRyt® Single Air Brick



Telescopic  
Up to an extra 30mm



Rytons A1® Fire-rated S-Shape Ducting Kit 204mm x 60mm with FlowRyt® Single Air Brick

- Drawings are not to scale
- Dimensions are in mm
- Products are hand made and have a tolerance of +/- 5%

Product Code:  
A1SSDK204X60FRS

FlowRyt® Single Air Brick  
8,000mm² free area

Registered Design No.:  
6087691

V4



Intellectual property of Rytons Building Products Ltd. Not to be copied, distributed or reproduced without Rytons written agreement. In case of query email admin@rytons.com.

