

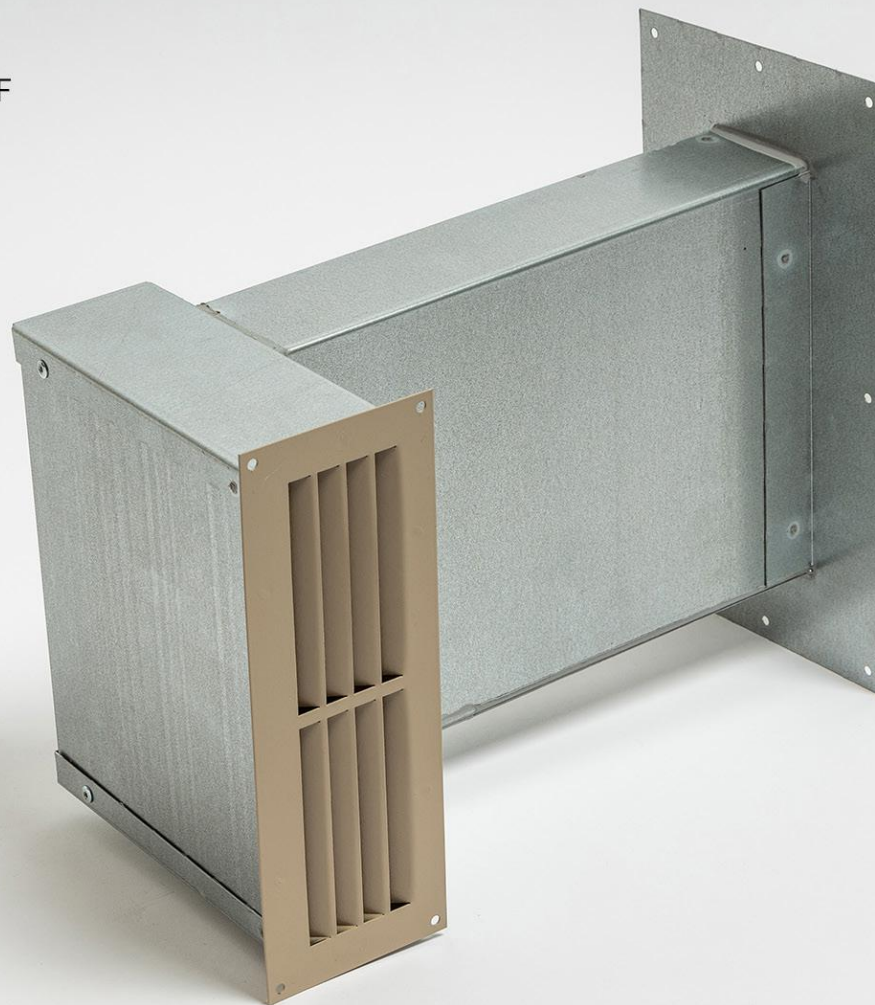
Rytons A1® Fire-rated Retrofit 90° Ducting Kit 204mm x 60mm with FlowRyt® Single Air Brick Flanged
Custom RAL colour air brick in matt, semi-gloss or gloss finish achieving Class A2-s1, d0
RAL1019 (Grey beige) matt finish pictured
Registered Design 6085469
Patent Pending
Product Code: A1RF90DK204X60FRSF

RYTONS

www.vents.co.uk

A Family Business

Since 1972



**MADE IN
BRITAIN**



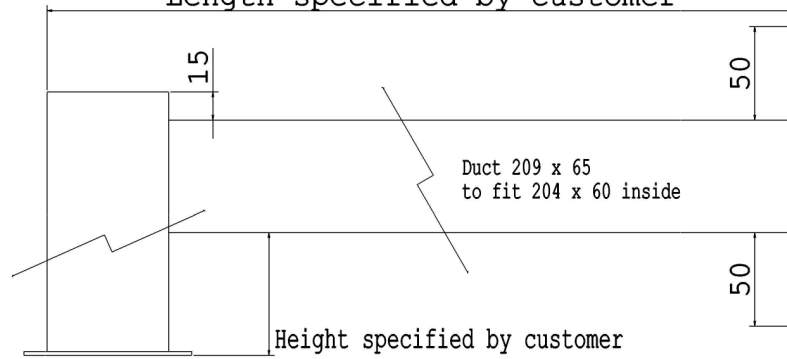
EUROPEAN CLASSIFICATION A1
— NON-COMBUSTIBLE . FIRE SAFE —



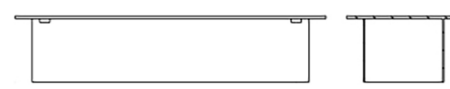
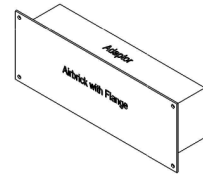
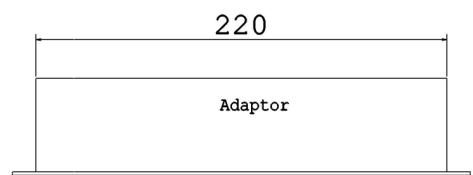
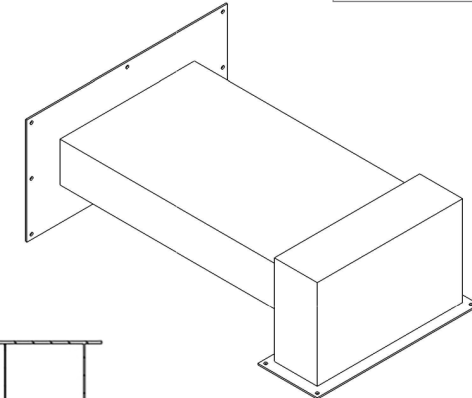
DO NOT SCALE

Rytons A1® Fire-rated Retrofit 90° Ducting Kit 204mm x 60mm with FlowRyt® Single Air Brick Flanged

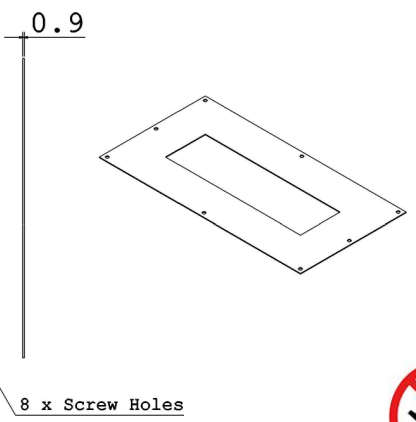
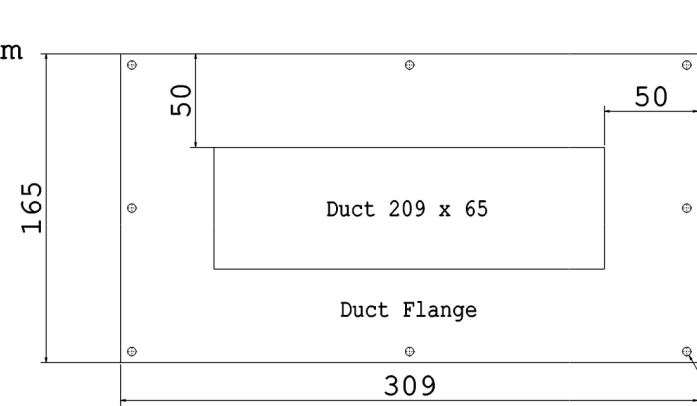
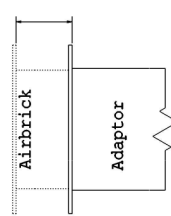
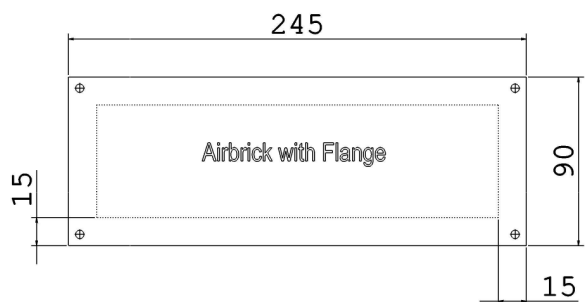
Length specified by customer



Free Area Calculation
100mm x 10mm FlowRyt® Grille = 1,000mm ²
x8 Grilles = 8,000mm ²



Telescopic
Up to an
extra 40mm



Rytons A1® Fire-rated Retrofit 90° Ducting Kit 204mm x 60mm with FlowRyt® Single Air Brick Flanged

- Drawings are not to scale • Dimensions are in mm
- Products are hand made and have a tolerance of +/- 5%

Product Code:
A1RF90DK204X60FRSF

FlowRyt® Single Air Brick Flanged
8,000mm² free area

Registered Design 6085469
Patent Pending

V5



Intellectual property of Rytons Building Products Ltd. Not to be copied, distributed or reproduced without Rytons written agreement. In case of query email admin@rytons.com.