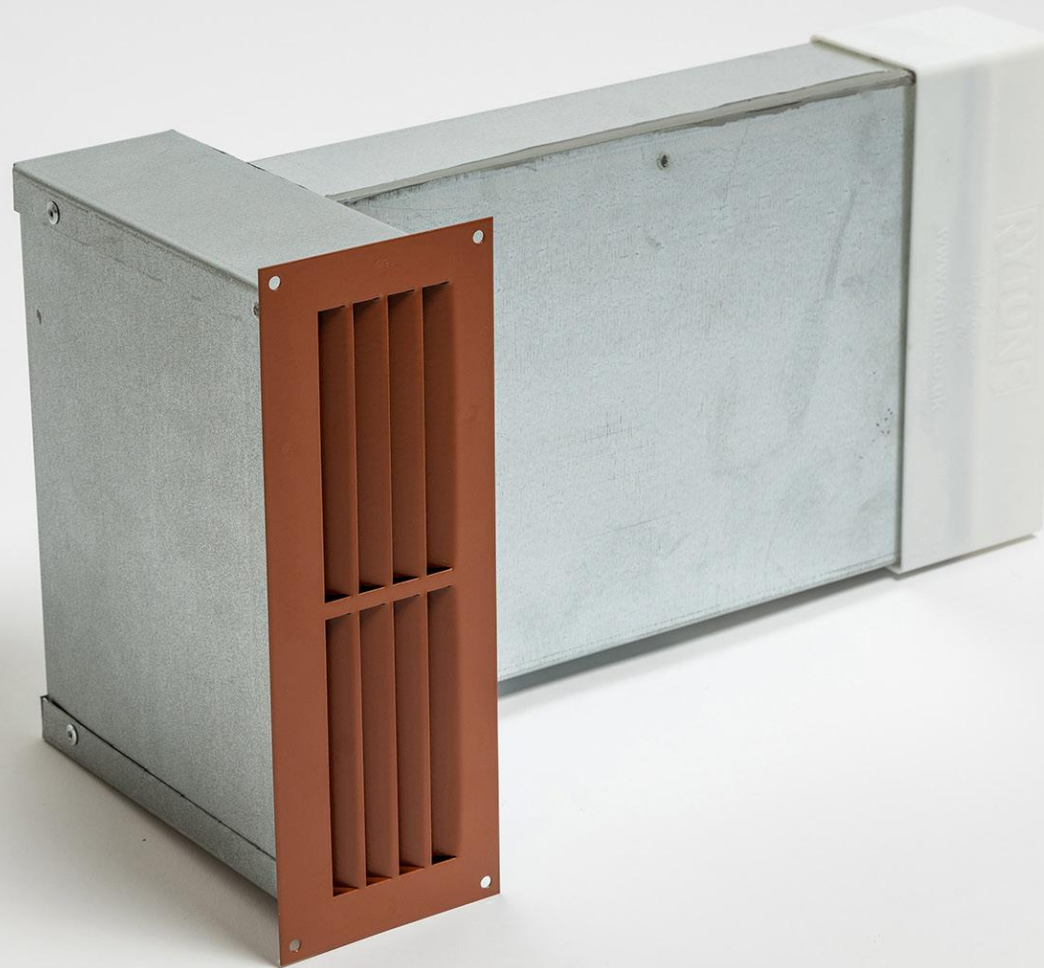


Rytons A1® Fire-rated 90° Ducting Kit 204mm x 60mm with FlowRyt® Single Air Brick Flanged
Custom RAL colour air brick in matt, semi-gloss or gloss finish achieving Class A2-s1, d0
RAL8004 (Copper brown) matt finish pictured
Registered Design 6085468
Patent Approved
Product Code: A190DK204X60FRSF



**MADE IN
BRITAIN**

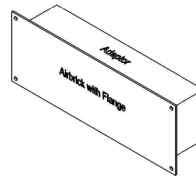
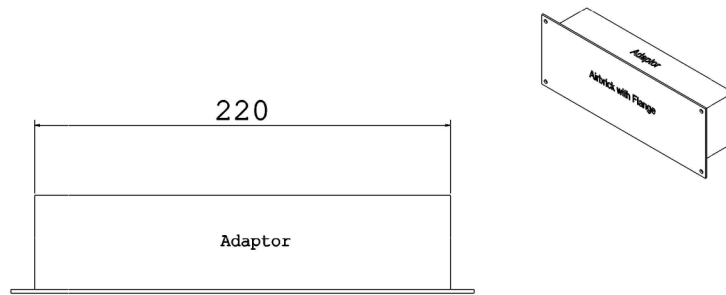
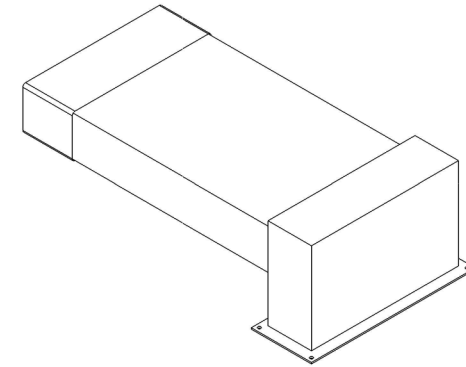
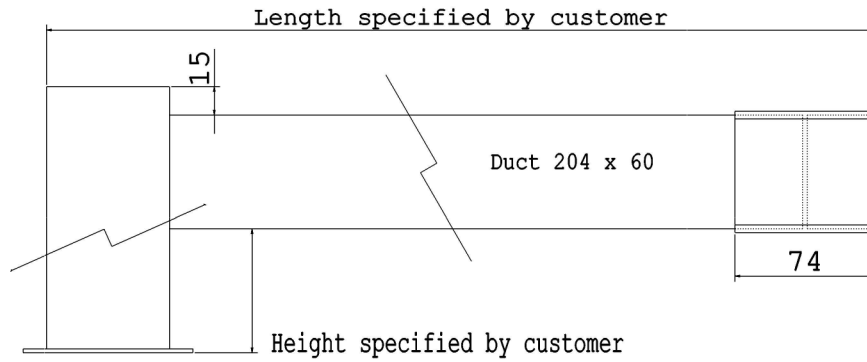


EUROPEAN CLASSIFICATION A1
— NON-COMBUSTIBLE . FIRE SAFE —

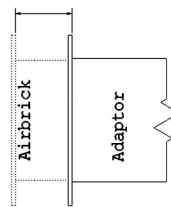
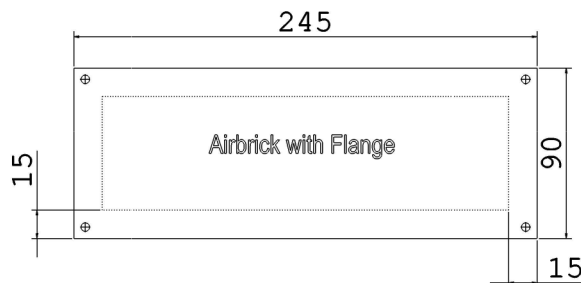


DO NOT SCALE

Rytons A1® Fire-rated 90° Ducting Kit 204mm x 60mm with FlowRyt® Single Air Brick Flanged



Telescopic
Up to an extra 40mm



Free Area Calculation
100mm x 10mm FlowRyt® Grille = 1,000mm ²
x8 Grilles = 8,000mm ²



Rytons A1® Fire-rated 90° Ducting Kit 204mm x 60mm with FlowRyt® Single Air Brick Flanged

Product Code:
A190DK204X60FRSF

FlowRyt® Single Air Brick Flanged
8,000mm² free area

Registered Design 6085468
Patent Approved

V5i



- Drawings are not to scale
- Dimensions are in mm
- Products are hand made and have a tolerance of +/- 5%

Intellectual property of Rytons Building Products Ltd. Not to be copied, distributed or reproduced without Rytons written agreement. In case of query email admin@rytons.com.

