

Rytons A1® Fire-rated S-Shape Ducting Kit 204mm x 60mm with Square Holed Double Air Brick  
Custom RAL colour air brick in matt, semi-gloss or gloss finish achieving Class A2-s1, d0  
RAL8004 (Copper brown) matt finish pictured  
Registered Design 6087689  
Patent Pending  
Product Code: A1SSDK204X60SQD

**RYTONS**  
www.vents.co.uk  
*A Family Business*  
*Since 1972*



**MADE IN  
BRITAIN**

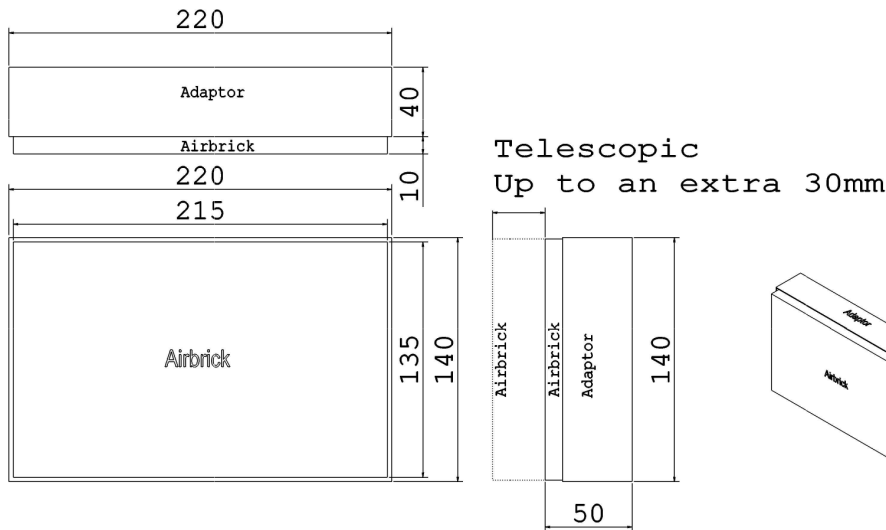
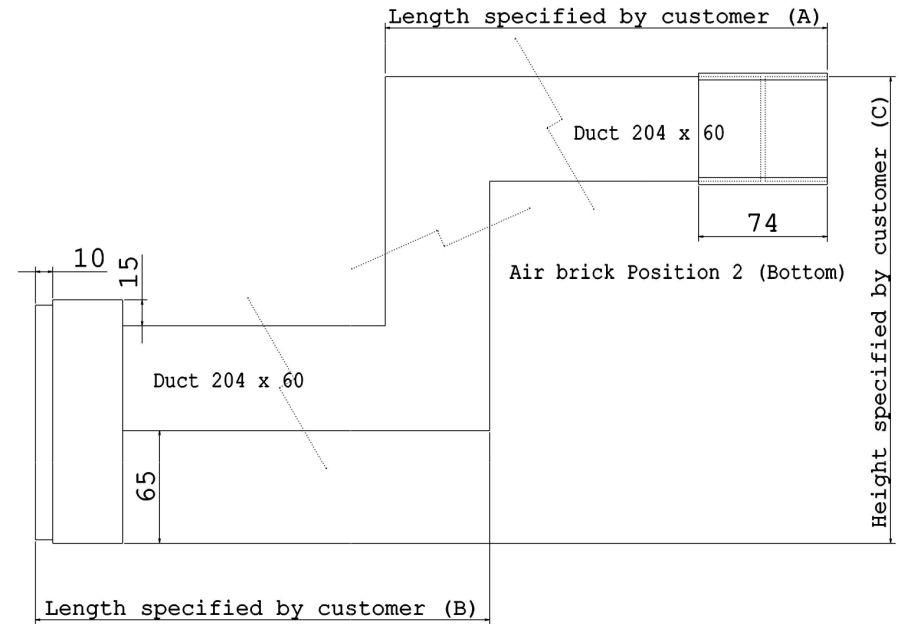
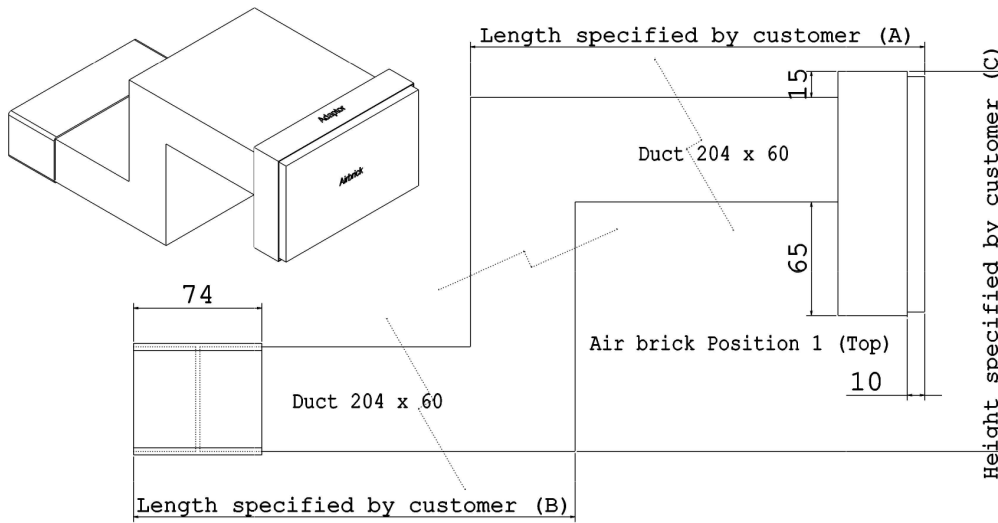


**EUROPEAN CLASSIFICATION A1**  
— NON-COMBUSTIBLE . FIRE SAFE —

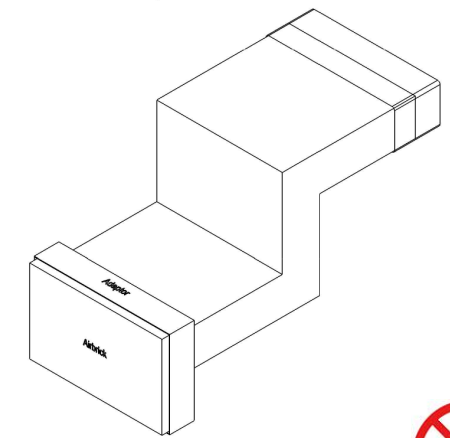


DO NOT SCALE

### Rytons A1® Fire-rated S-Shape Ducting Kit 204mm x 60mm with Square Holed Double Air Brick



<b>Free Area Calculation</b>
12.7mm x 12.7mm Square Hole = 161.29mm <sup>2</sup>
x112 Holes = 18,064.48mm <sup>2</sup>



Rytons A1® Fire-rated S-Shape Ducting Kit 204mm x 60mm with Square Holed Double Air Brick

Product Code: A1SSDK204X60SQD

Square Holed Double Air Brick  
18,064mm<sup>2</sup> free area (>90% of the duct)

Registered Design 6087689  
Patent Pending

V6



• Drawings are not to scale • Dimensions are in mm  
• Products are hand made and have a tolerance of +/- 5%

Intellectual property of Rytons Building Products Ltd. Not to be copied, distributed or reproduced without Rytons written agreement. In case of query email admin@rytons.com.

