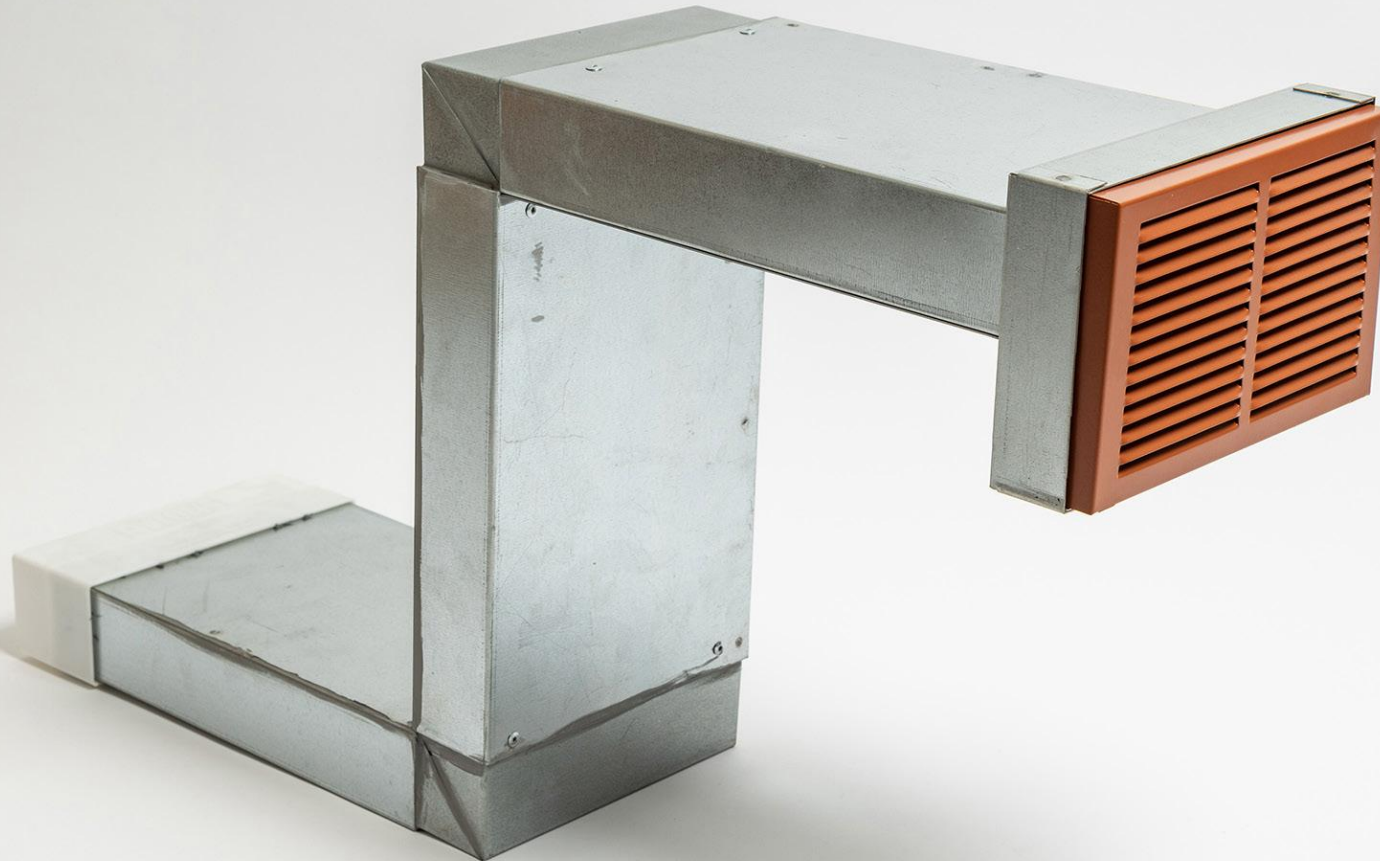


Ryttons A1® Fire-rated S-Shape Ducting Kit 204mm x 60mm with Return Grille Double Air Brick
Custom RAL colour air brick in matt, semi-gloss or gloss finish achieving Class A2-s1, d0
RAL8004 (Copper brown) matt finish pictured
Registered Design 6087689
Patent Pending
Product Code: A1SSDK204X60RGD

RYTTONS
www.vents.co.uk
A Family Business
Since 1972



**MADE IN
BRITAIN**

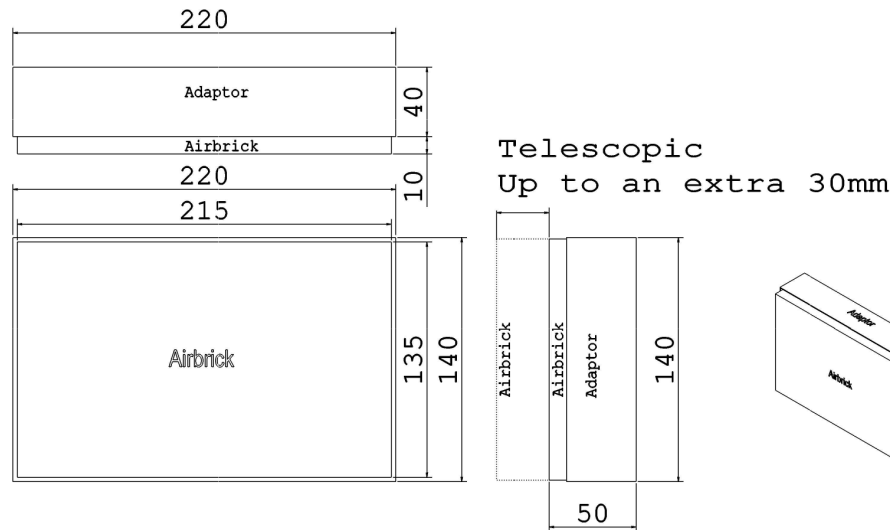
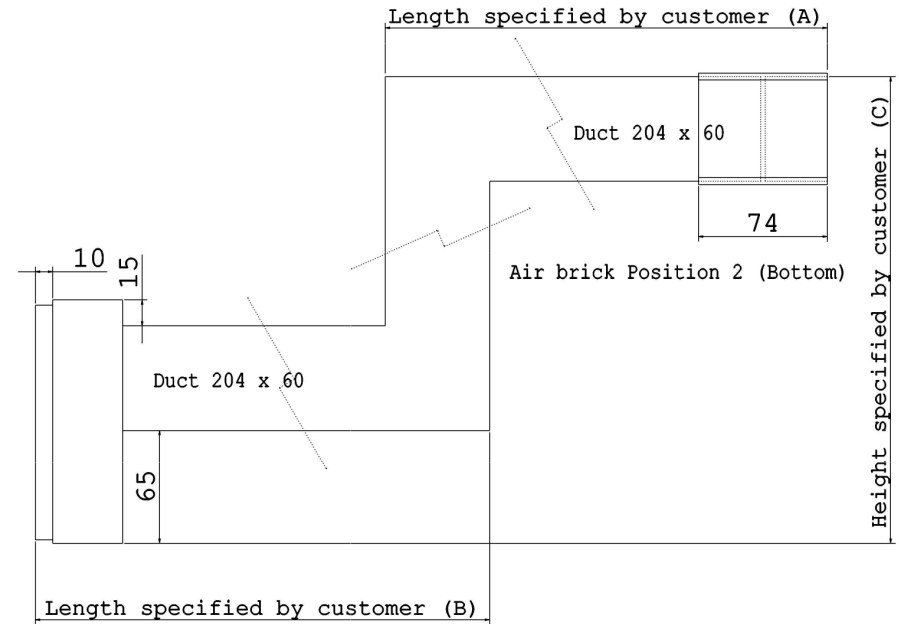
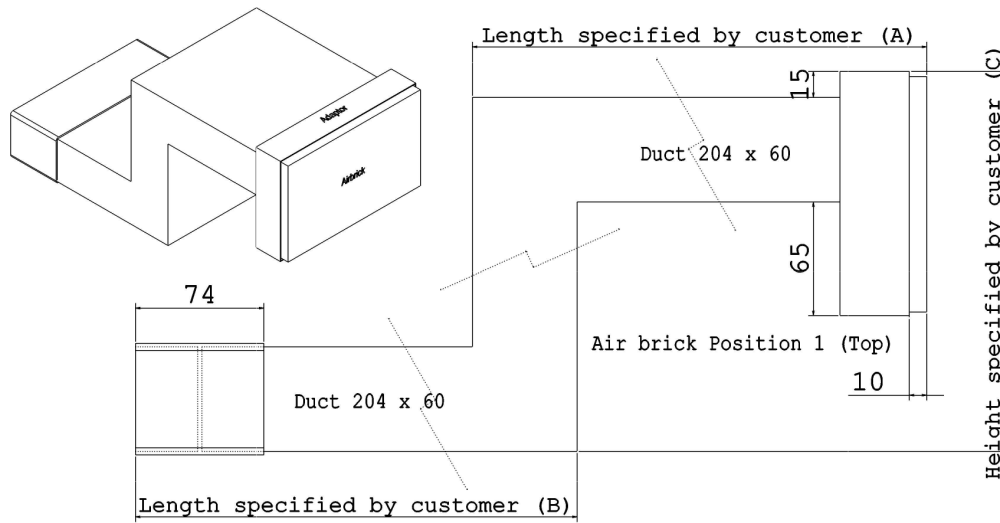


EUROPEAN CLASSIFICATION A1
— NON-COMBUSTIBLE . FIRE SAFE —

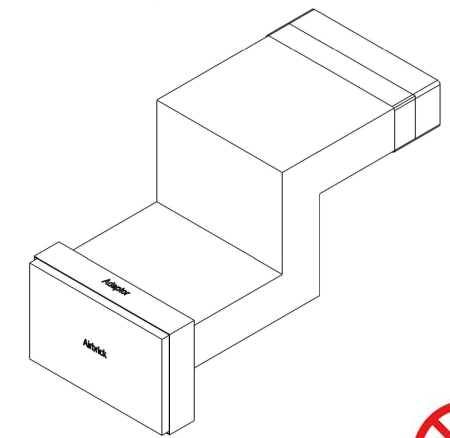


DO NOT SCALE

Rytons A1® Fire-rated S-Shape Ducting Kit 204mm x 60mm with Return Grille Double Air Brick



Free Area Calculation
90mm x 8mm Return Grille = 720mm ²
x26 Grilles = 18,720mm ²



Rytons A1® Fire-rated S-Shape Ducting Kit 204mm x 60mm with Return Grille Double Air Brick

- Drawings are not to scale • Dimensions are in mm
- Products are hand made and have a tolerance of +/- 5%

Product Code: A1SSDK204X60RGD

Return Grille Double Air Brick
18,720mm² free area (>90% of the duct)

Registered Design 6087689
Patent Pending

V6

 **EUROPEAN CLASSIFICATION A1**
NON-COMBUSTIBLE - FIRE SAFE

 **MADE IN BRITAIN**

Intellectual property of Rytons Building Products Ltd. Not to be copied, distributed or reproduced without Rytons written agreement. In case of query email admin@rytons.com.