

Rytons A1® Fire-rated S-Shape Ducting Kit 204mm x 60mm with FlowRyt® Double Air Brick
Custom RAL colour air brick in matt, semi-gloss or gloss finish achieving Class A2-s1, d0
RAL8004 (Copper brown) matt finish pictured
Registered Design 6087689
Patent Pending
Product Code: A1SSDK204X60FRD

RYTONS
www.vents.co.uk
A Family Business
Since 1972



**MADE IN
BRITAIN**

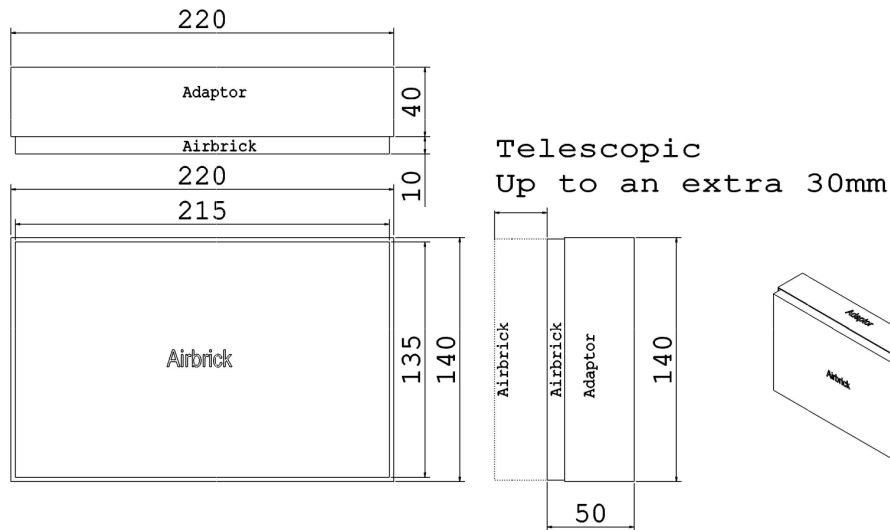
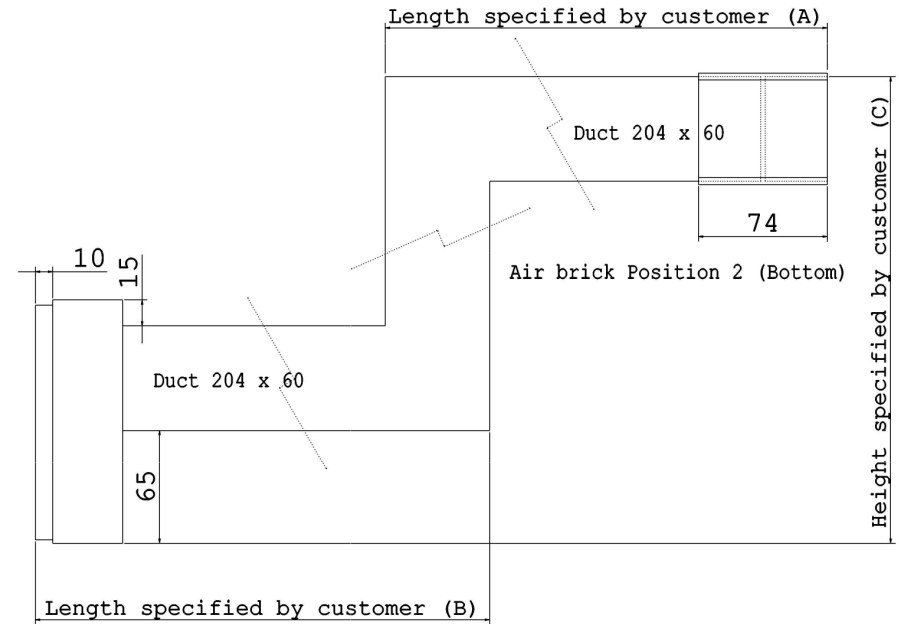
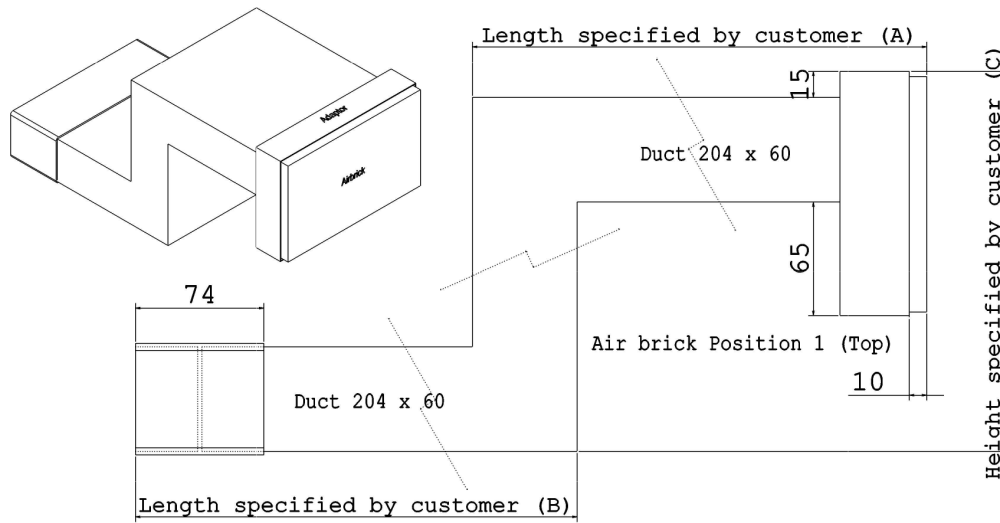


EUROPEAN CLASSIFICATION A1
— NON-COMBUSTIBLE . FIRE SAFE —

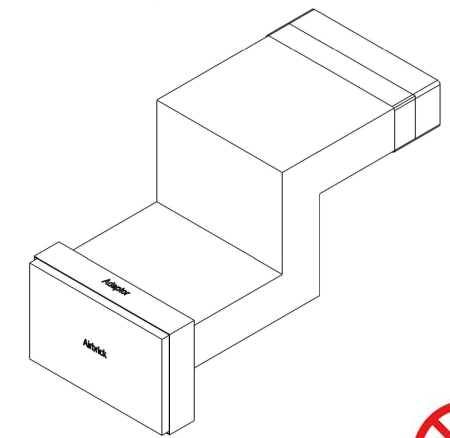


DO NOT SCALE

Rytons A1® Fire-rated S-Shape Ducting Kit 204mm x 60mm with FlowRyt® Double Air Brick



Free Area Calculation
100mm x 10mm FlowRyt® Grille = 1,000mm ²
x18 Grilles = 18,000mm ²



Rytons A1® Fire-rated S-Shape Ducting Kit 204mm x 60mm with FlowRyt® Double Air Brick

- Drawings are not to scale
- Dimensions are in mm
- Products are hand made and have a tolerance of +/- 5%

Product Code: A1SSDK204X60FRD

FlowRyt® Double Air Brick
18,000mm² free area (>90% of the duct)

Registered Design 6087689
Patent Pending

V6



Intellectual property of Rytons Building Products Ltd. Not to be copied, distributed or reproduced without Rytons written agreement. In case of query email admin@rytons.com.