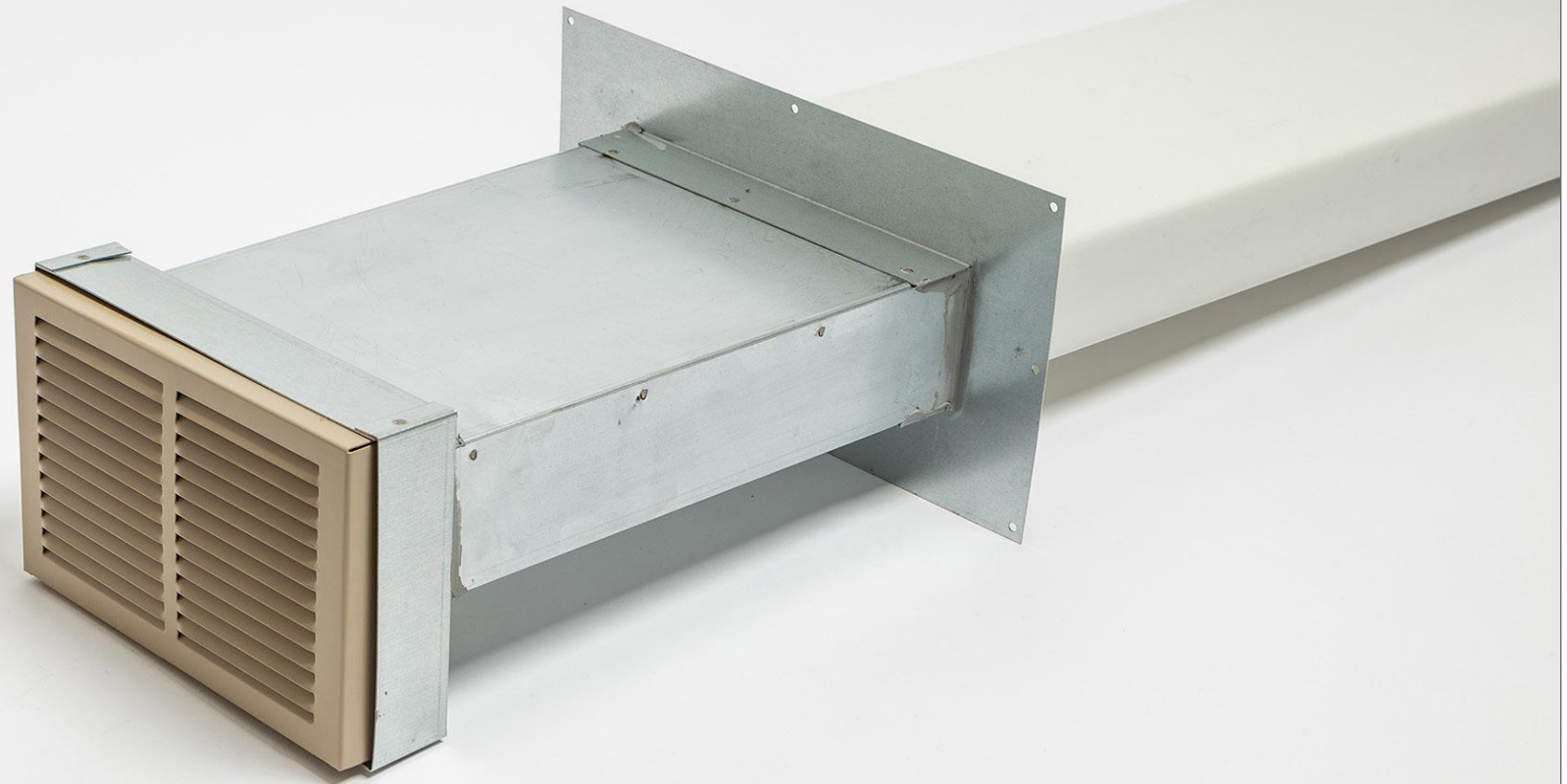


Rytons A1® Fire-rated Retrofit Ducting Kit 204mm x 60mm with Return Grille Double Air Brick  
Custom RAL colour air brick in matt, semi-gloss or gloss finish achieving Class A2-s1, d0  
RAL1019 (Grey beige) matt finish pictured  
Registered Design 6085474  
Patent Pending  
Product Code: A1RFDK204X60RGD



**MADE IN  
BRITAIN**

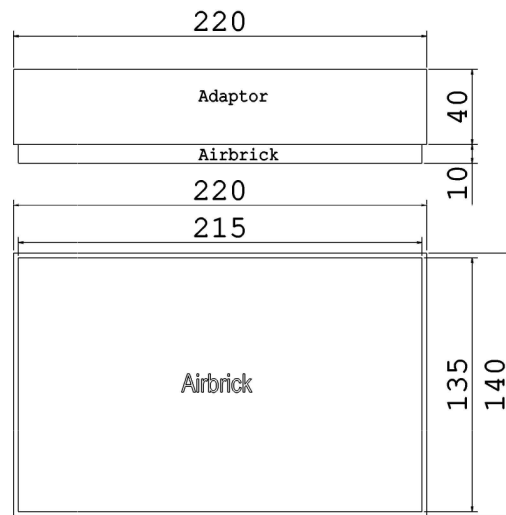
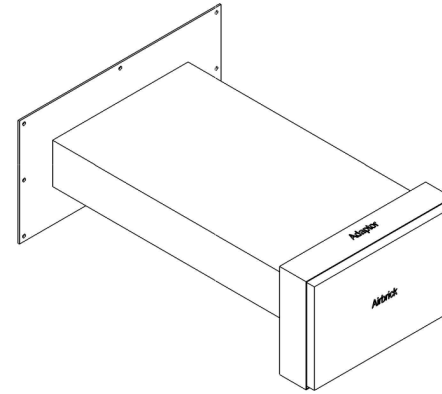
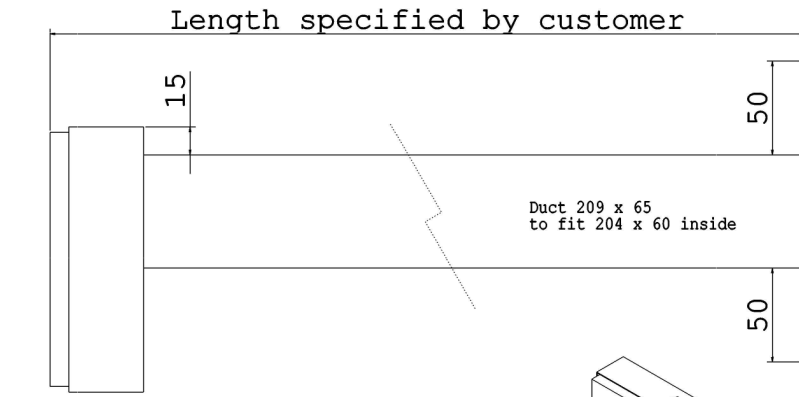


**EUROPEAN CLASSIFICATION A1**  
— NON-COMBUSTIBLE . FIRE SAFE —

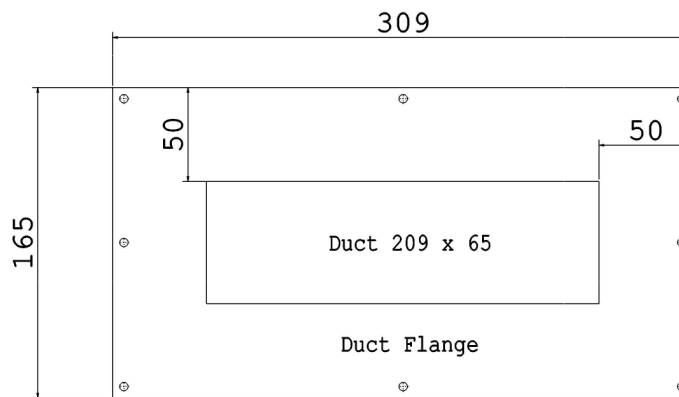
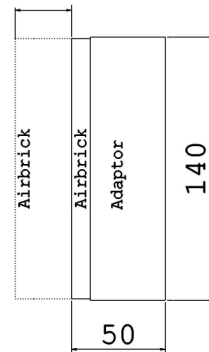


DO NOT SCALE

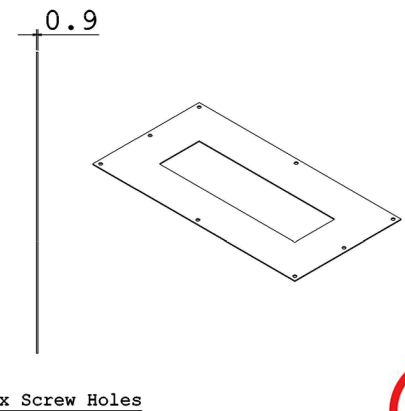
Rytons A1® Fire-rated Retrofit Ducting Kit 204mm x 60mm with Return Grille Double Air Brick



Telescopic  
Up to an  
extra 30mm



Free Area Calculation
90mm x 8mm Return Grille = 720mm <sup>2</sup>
x26 Grilles = 18,720mm <sup>2</sup>



Rytons A1® Fire-rated Retrofit Ducting Kit 204mm x 60mm with Return Grille Double Air Brick

- Drawings are not to scale
- Dimensions are in mm
- Products are hand made and have a tolerance of +/- 5%

Product Code:  
A1RFDK204X60RGD

Return Grille Double Air Brick  
18,720mm<sup>2</sup> free area (> 90% of the duct)

Registered Design 6085474  
Patent Pending

V4



Intellectual property of Rytons Building Products Ltd. Not to be copied, distributed or reproduced without Rytons written agreement. In case of query email admin@rytons.com.

