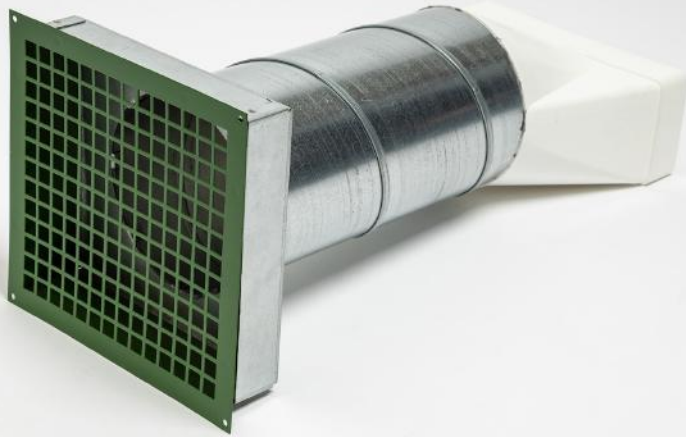


Rytons A1® Fire-rated Ducting Kit 150mm Dia. with Square Holed Triple Air Brick Flanged
Custom RAL colour air brick in matt, semi-gloss or gloss finish achieving Class A2-s1, d0
RAL6010 (Grass green) matt finish pictured
Connector for 220mm x 90mm ducting
Registered Design 6109954
Patent Pending
Product Code: A1DK150SQTF

RYTONS
www.vents.co.uk
A Family Business
Since 1972



**MADE IN
BRITAIN**

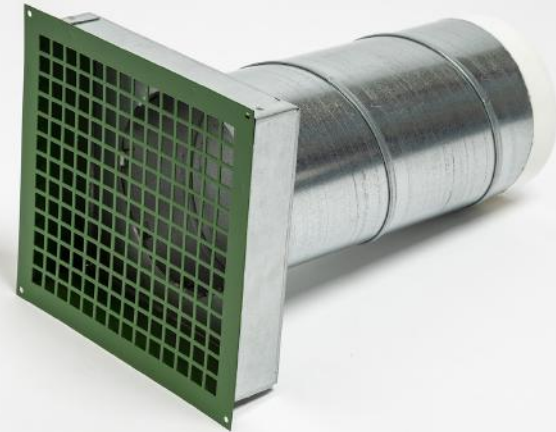


EUROPEAN CLASSIFICATION A1
NON-COMBUSTIBLE - FIRE SAFE



Rytons A1® Fire-rated Ducting Kit 150mm Dia. with Square Holed Triple Air Brick Flanged
Custom RAL colour air brick in matt, semi-gloss or gloss finish achieving Class A2-s1, d0
RAL6010 (Grass green) matt finish pictured
Connector for 150mm dia. ducting
Registered Design 6109955
Patent Pending
Product Code: A1DK150SQTF

RYTONS
www.vents.co.uk
A Family Business
Since 1972



**MADE IN
BRITAIN**

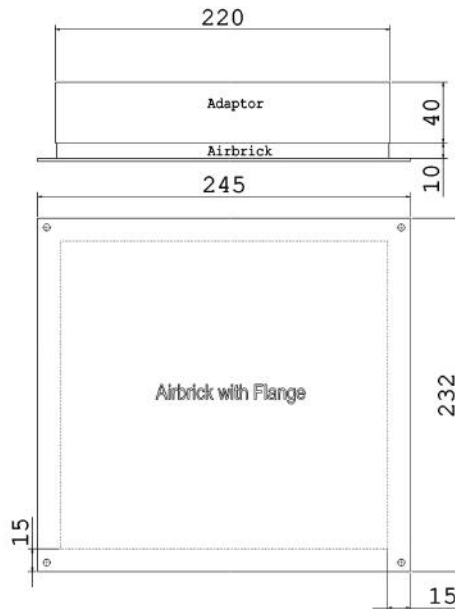
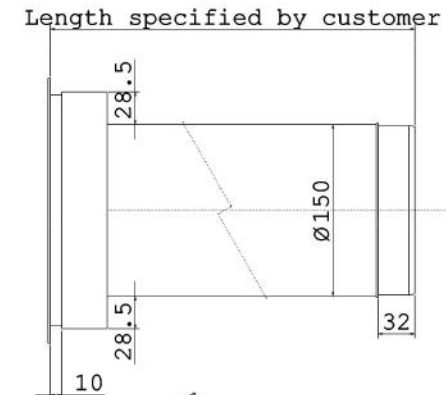
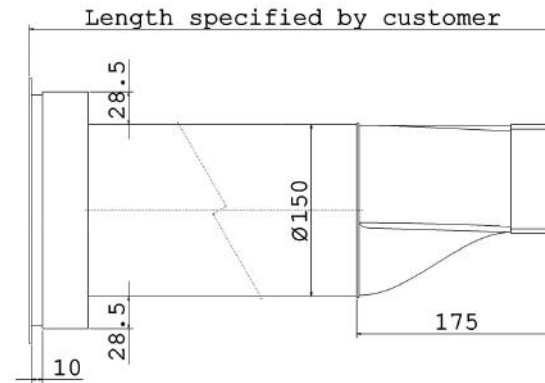
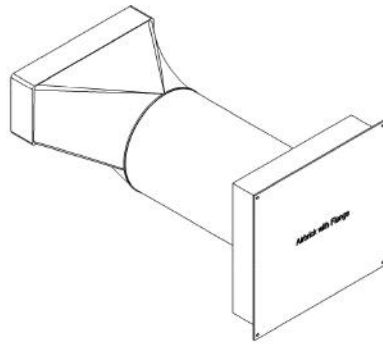


EUROPEAN CLASSIFICATION A1
NON-COMBUSTIBLE - FIRE SAFE

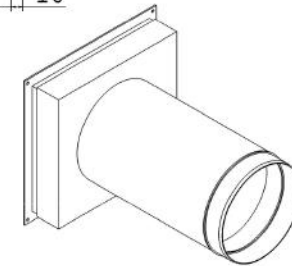
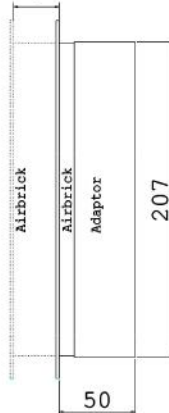


DO NOT SCALE

Rytons A1® Fire-rated Ducting Kit 150mm Dia. with Square Holed Triple Air Brick Flanged



Telescopic
Up to an extra 30mm



Free Area Calculation
12.7mm x 12.7mm Square Hole = 161.29mm ²
x182 Holes = 29,354mm ²



Rytons A1® Fire-rated Ducting Kit 150mm Dia. with Square Holed Triple Air Brick Flanged

Product Code: A1DK150SQTF

Square Holed Triple Air Brick Flanged
29,354mm² free area (> 90% of the duct)

Registered Design: 6109954 & 6109955 | Patent Pending

V5



• Drawings are not to scale • Dimensions are in mm
• Products are hand made and have a tolerance of +/- 5%

Intellectual property of Rytons Building Products Ltd. Not to be copied, distributed or reproduced without Rytons written agreement. In case of query email admin@rytons.com.

