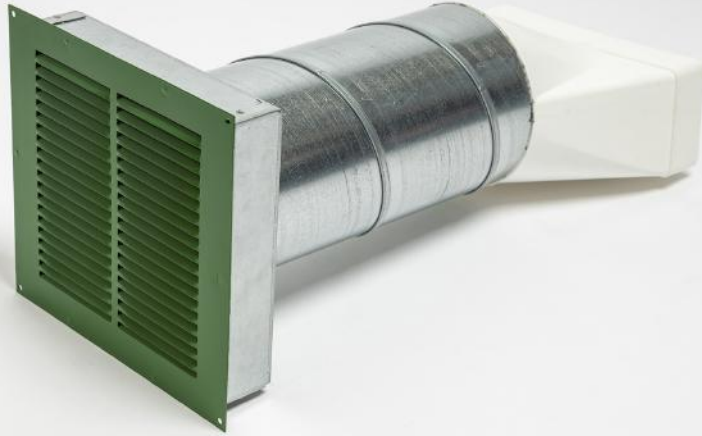


Rytons A1® Fire-rated Ducting Kit 150mm Dia. with Return Grille Triple Air Brick Flanged  
Custom RAL colour air brick in matt, semi-gloss or gloss finish achieving Class A2-s1, d0  
RAL6010 (Grass green) matt finish pictured  
Connector for 220mm x 90mm ducting  
Registered Design 6109954  
Patent Pending  
Product Code: A1DK150RGTF

**RYTONS**  
www.vents.co.uk  
*A Family Business*  
*Since 1972*



**MADE IN  
BRITAIN**

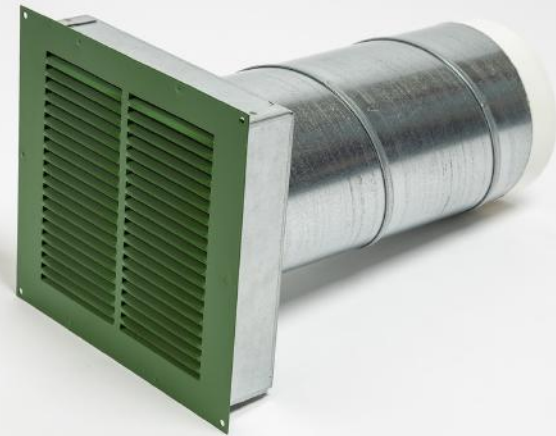


**EUROPEAN CLASSIFICATION A1**  
NON-COMBUSTIBLE - FIRE SAFE



Rytons A1® Fire-rated Ducting Kit 150mm Dia. with Return Grille Triple Air Brick Flanged  
Custom RAL colour air brick in matt, semi-gloss or gloss finish achieving Class A2-s1, d0  
RAL6010 (Grass green) matt finish pictured  
Connector for 150mm dia. ducting  
Registered Design 6109955  
Patent Pending  
Product Code: A1DK150RGTF

**RYTONS**  
www.vents.co.uk  
*A Family Business*  
*Since 1972*



**MADE IN  
BRITAIN**

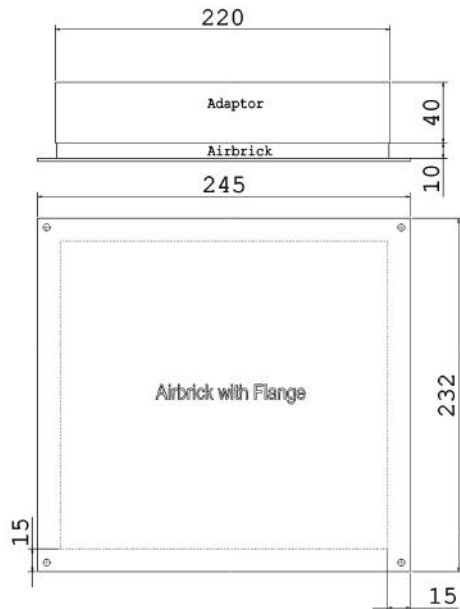
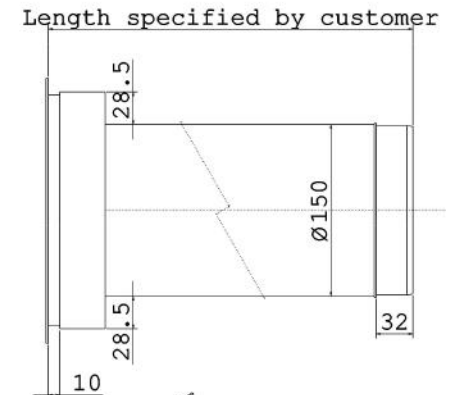
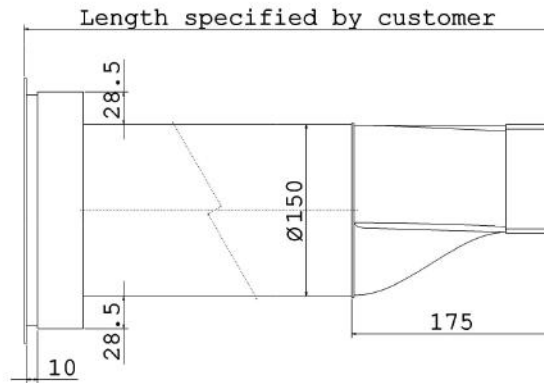
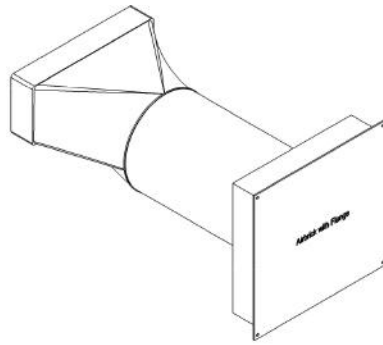


**EUROPEAN CLASSIFICATION A1**  
NON-COMBUSTIBLE - FIRE SAFE

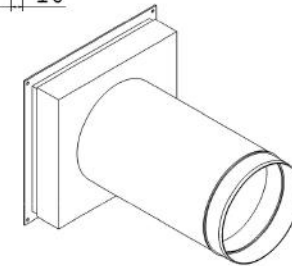
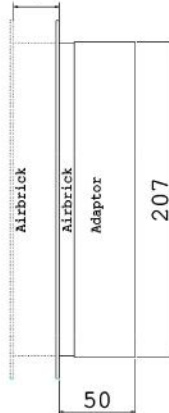


DO NOT SCALE

Rytons A1® Fire-rated Ducting Kit 150mm Dia. with Return Grille Triple Air Brick Flanged



Telescopic  
Up to an extra 30mm



<b>Free Area Calculation</b>
90mm x 8mm Return Grille = 720mm <sup>2</sup>
x40 Grilles = 28,800mm <sup>2</sup>



Rytons A1® Fire-rated Ducting Kit 150mm Dia. with Return Grille Triple Air Brick Flanged

Product Code: A1DK150RGTF

Return Grille Triple Air Brick Flanged 28,800mm<sup>2</sup> free area (> 90% of the duct)

Registered Design: 6109954 & 6109955 | Patent Pending

V4



• Drawings are not to scale • Dimensions are in mm  
• Products are hand made and have a tolerance of +/- 5%

Intellectual property of Rytons Building Products Ltd. Not to be copied, distributed or reproduced without Rytons written agreement. In case of query email admin@rytons.com.

