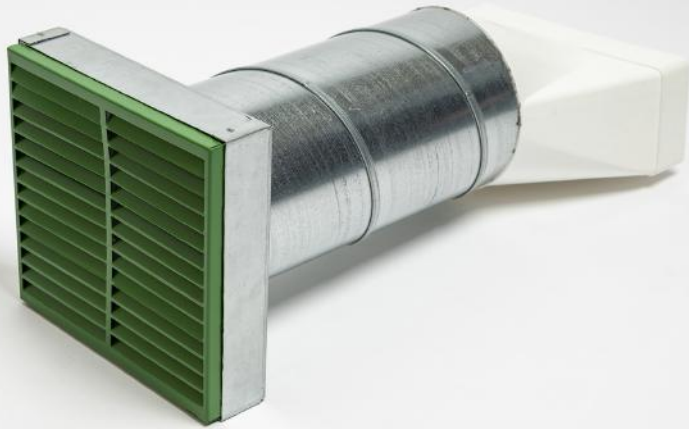


Rytons A1® Fire-rated Ducting Kit 150mm Dia. with FlowRyt® Triple Air Brick  
Custom RAL colour air brick in matt, semi-gloss or gloss finish achieving Class A2-s1, d0  
RAL6010 (Grass green) matt finish pictured  
Connector for 220mm x 90mm ducting  
Registered Design 6109956  
Patent Pending  
Product Code: A1DK150FRT

**RYTONS**  
www.vents.co.uk  
*A Family Business*  
*Since 1972*



**MADE IN  
BRITAIN**

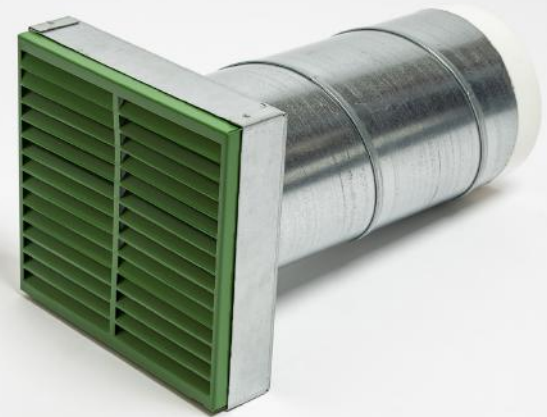


EUROPEAN CLASSIFICATION A1  
NON-COMBUSTIBLE - FIRE SAFE



Rytons A1® Fire-rated Ducting Kit 150mm Dia. with FlowRyt® Triple Air Brick  
Custom RAL colour air brick in matt, semi-gloss or gloss finish achieving Class A2-s1, d0  
RAL6010 (Grass green) matt finish pictured  
Connector for 150mm dia. ducting  
Registered Design 6109957  
Patent Pending  
Product Code: A1DK150FRT

**RYTONS**  
www.vents.co.uk  
*A Family Business*  
*Since 1972*



**MADE IN  
BRITAIN**

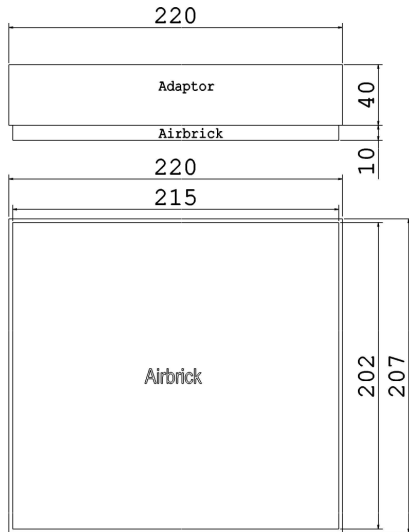
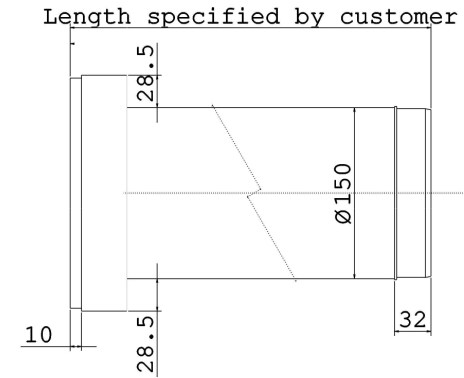
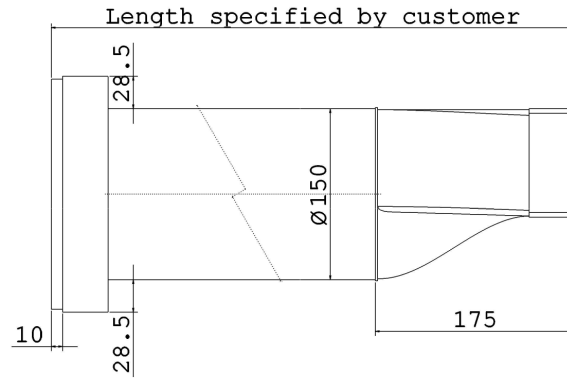
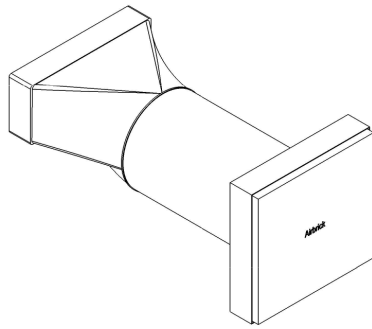


EUROPEAN CLASSIFICATION A1  
NON-COMBUSTIBLE - FIRE SAFE

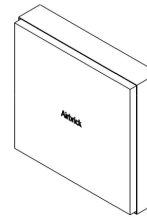
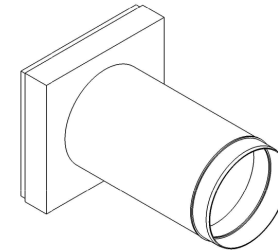
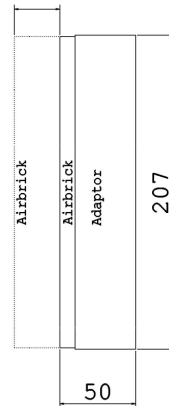


DO NOT SCALE

### Rytons A1® Fire-rated Ducting Kit 150mm Dia. with FlowRyt® Triple Air Brick



Telescopic  
Up to an extra 30mm



<b>Free Area Calculation</b>
100mm x 10mm FlowRyt® Grille = 1,000mm <sup>2</sup>
x28 Grilles = 28,000mm <sup>2</sup>



Rytons A1® Fire-rated Ducting Kit 150mm Dia. with FlowRyt® Triple Air Brick

Product Code: A1DK150FRT

FlowRyt® Triple Air Brick  
28,000mm<sup>2</sup> free area (> 90% of the duct)

Registered Design: 6109956 & 6109957 | Patent Pending

V4



• Drawings are not to scale • Dimensions are in mm  
• Products are hand made and have a tolerance of +/- 5%

Intellectual property of Rytons Building Products Ltd. Not to be copied, distributed or reproduced without Rytons written agreement. In case of query email admin@rytons.com.

