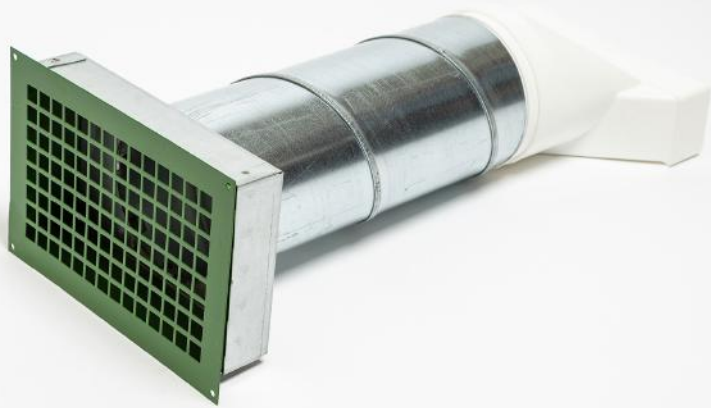


Rytons A1® Fire-rated Ducting Kit 125mm Dia. with Square Holed Double Air Brick Flanged
Custom RAL colour air brick in matt, semi-gloss or gloss finish achieving Class A2-s1, d0
RAL6010 (Grass green) matt finish pictured
Connector for 204mm x 60mm ducting
Registered Design 6109950
Patent Pending
Product Code: A1DK125SQDF

RYTONS
www.vents.co.uk
A Family Business
Since 1972



**MADE IN
BRITAIN**



EUROPEAN CLASSIFICATION A1
NON-COMBUSTIBLE - FIRE SAFE



Rytons A1® Fire-rated Ducting Kit 125mm Dia. with Square Holed Double Air Brick Flanged
Custom RAL colour air brick in matt, semi-gloss or gloss finish achieving Class A2-s1, d0
RAL6010 (Grass green) matt finish pictured
Connector for 204mm x 60mm ducting
Registered Design 6109951
Patent Pending
Product Code: A1DK125SQDF

RYTONS
www.vents.co.uk
A Family Business
Since 1972



**MADE IN
BRITAIN**

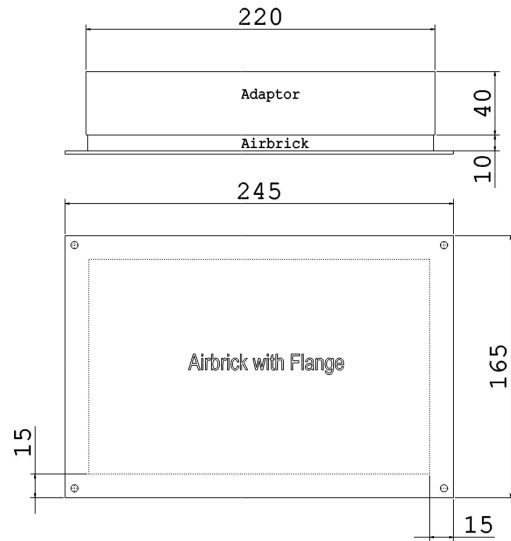
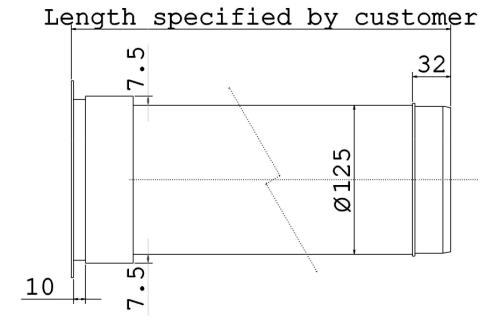
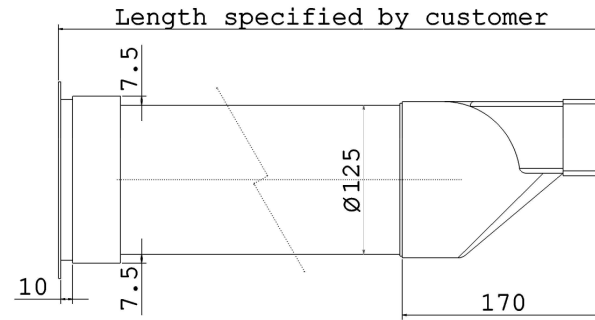
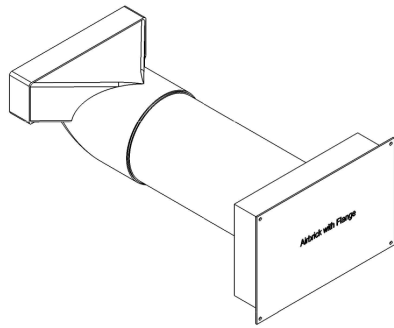


EUROPEAN CLASSIFICATION A1
NON-COMBUSTIBLE - FIRE SAFE

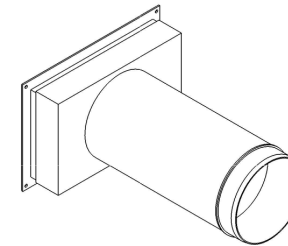
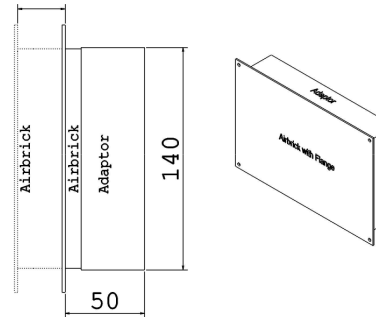


DO NOT SCALE

Rytons A1® Fire-rated Ducting Kit 125mm Dia. with Square Holed Double Air Brick Flanged



Telescopic
Up to an extra 30mm



Free Area Calculation
12.7mm x 12.7mm Square Hole = 161.29mm ²
x112 Holes = 18,064.48mm ²



Rytons A1® Fire-rated Ducting Kit 125mm Dia. with Square Holed Double Air Brick Flanged

Product Code: A1DK125SQDF

Square Holed Double Air Brick Flanged 18,064mm² free area (> 90% of the duct)

Registered Design: 6109950 & 6109951 | Patent Pending

V4



• Drawings are not to scale • Dimensions are in mm
• Products are hand made and have a tolerance of +/- 5%

Intellectual property of Rytons Building Products Ltd. Not to be copied, distributed or reproduced without Rytons written agreement. In case of query email admin@rytons.com.

