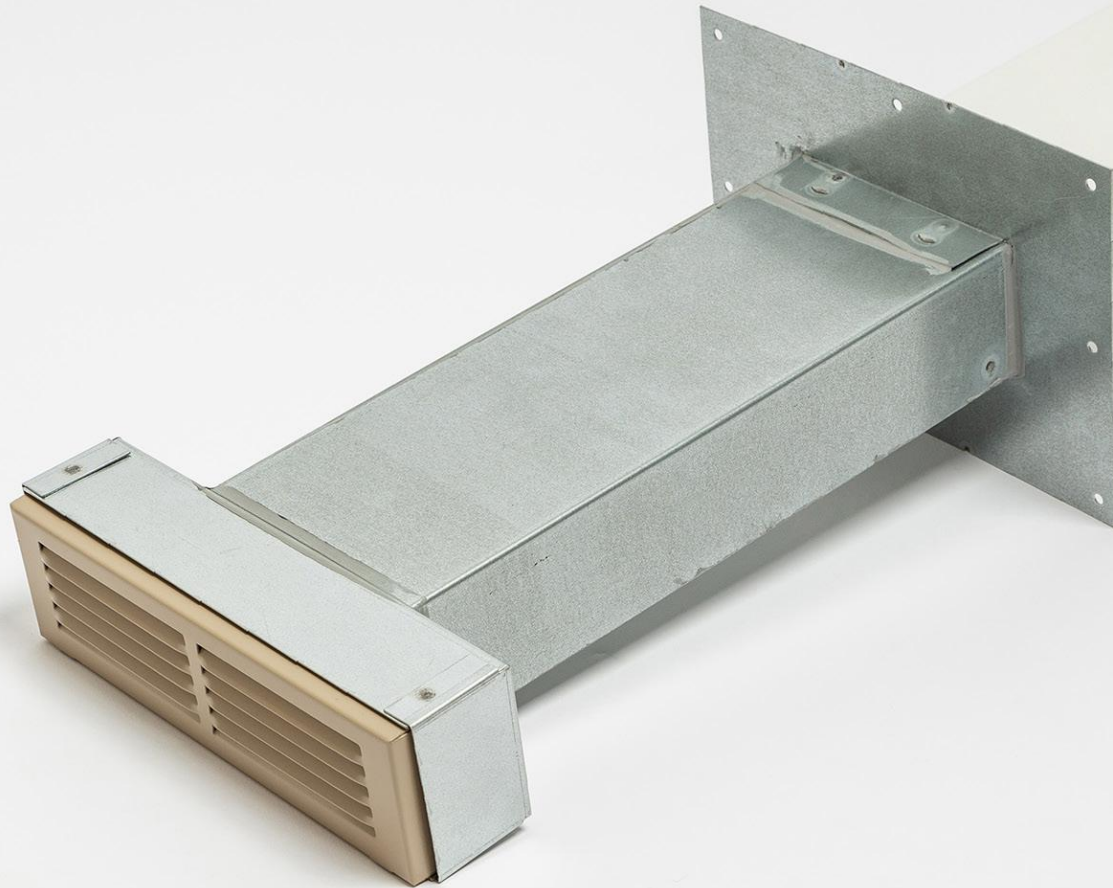


Ryttons A1® Fire-rated Retrofit Ducting Kit 110mm x 54mm with Return Grille Single Air Brick
Custom RAL colour air brick in matt, semi-gloss or gloss finish achieving Class A2-s1, d0
RAL1019 (Grey beige) matt finish pictured
Registered Design 6085459
Patent Pending
Product Code: A1RFDK110X54RGS

RYTTONS
www.vents.co.uk
A Family Business
Since 1972



**MADE IN
BRITAIN**

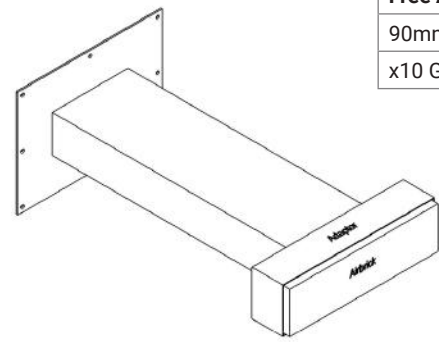
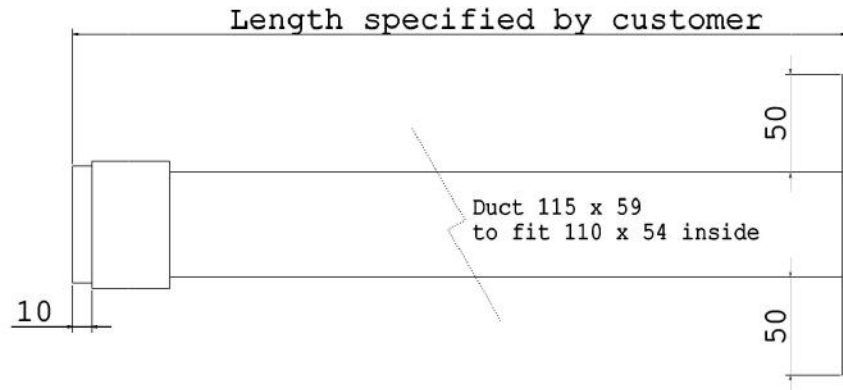


EUROPEAN CLASSIFICATION A1
— NON-COMBUSTIBLE . FIRE SAFE —

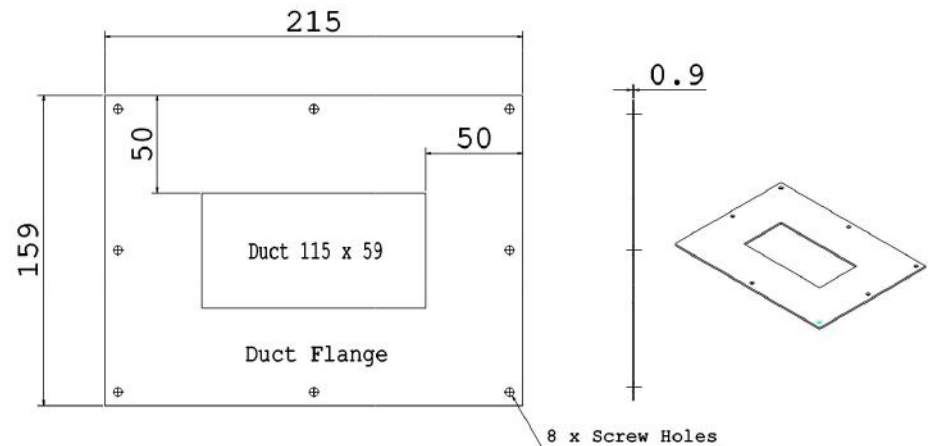
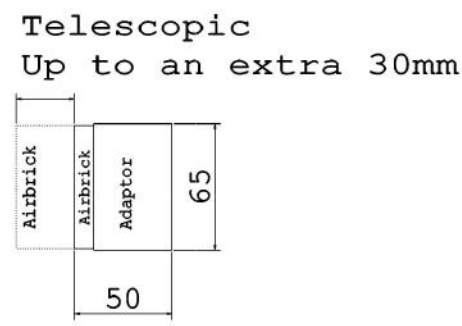
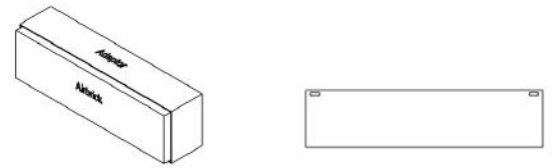
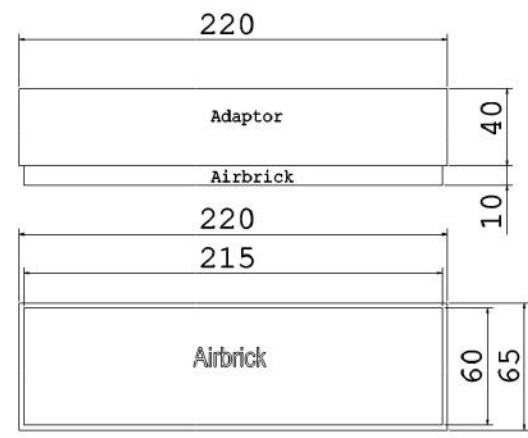


DO NOT SCALE

Rytons A1® Fire-rated Retrofit Ducting Kit 110mm x 54mm with Return Grille Single Air Brick



Free Area Calculation
90mm x 8mm Return Grille = 720mm ²
x10 Grilles = 7,200mm ²



Rytons A1® Fire-rated Retrofit Ducting Kit 110mm x 54mm with Return Grille Single Air Brick

- Drawings are not to scale • Dimensions are in mm
- Products are hand made and have a tolerance of +/- 5%

Product Code: A1RFDK110X54RGS

Intellectual property of Rytons Building Products Ltd. Not to be copied, distributed or reproduced without Rytons written agreement. In case of query email admin@rytons.com.

Return Grille Single Air Brick
7,200mm² free area (> 90% of the duct)

Registered Design 6085459
Patent Pending

V4

