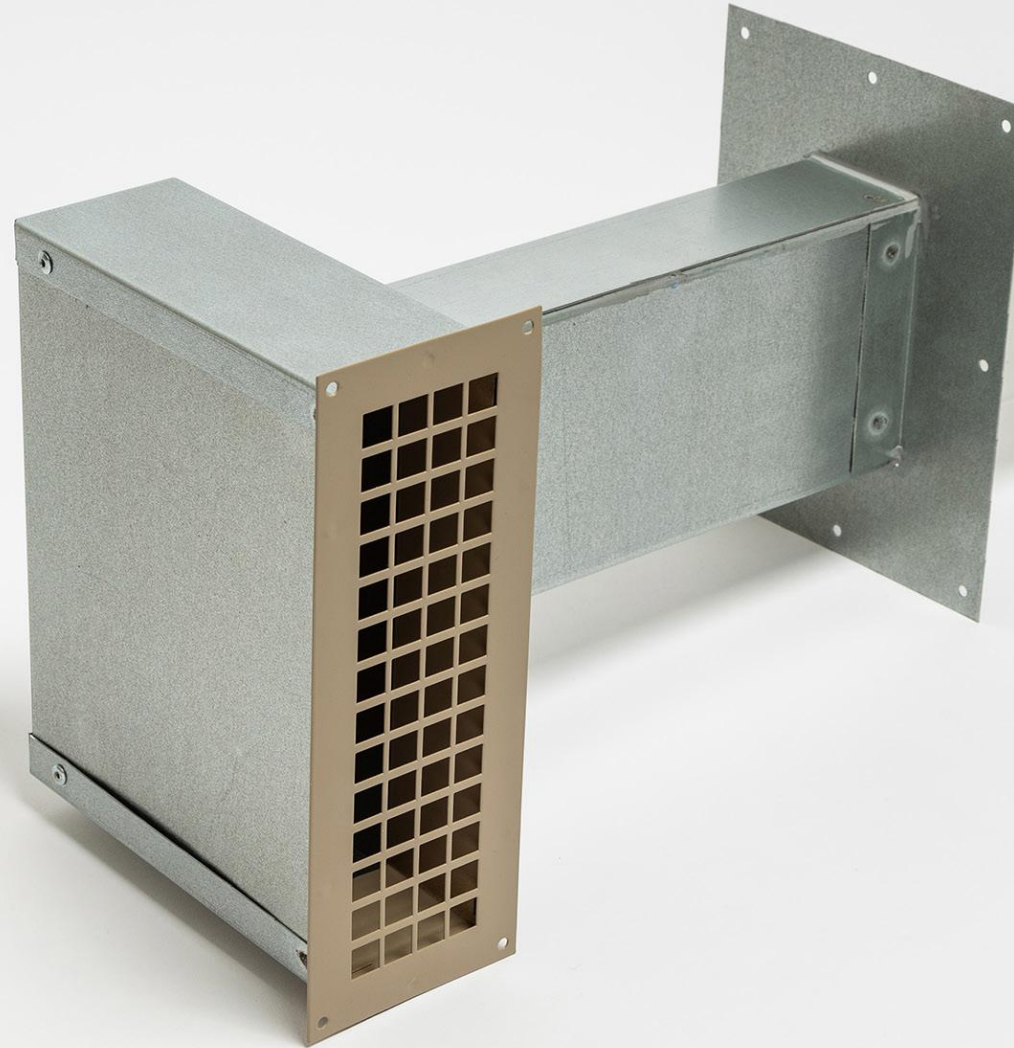


Rytons A1® Fire-rated Retrofit 90° Ducting Kit 110mm x 54mm with Square Holed Single Air Brick Flanged  
Custom RAL colour air brick in matt, semi-gloss or gloss finish achieving Class A2-s1, d0  
RAL1019 (Grey beige) matt finish pictured  
Registered Design 6085462  
Patent Pending  
Product Code: A1RF90DK110X54SQSF



**MADE IN  
BRITAIN**

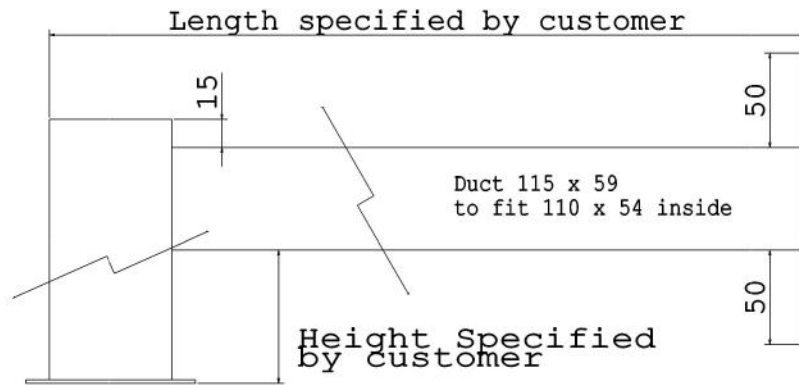


**EUROPEAN CLASSIFICATION A1**  
— NON-COMBUSTIBLE . FIRE SAFE —

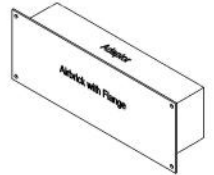
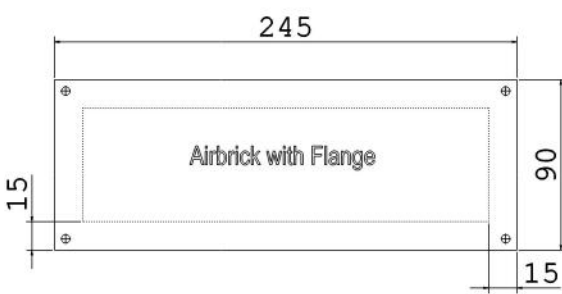
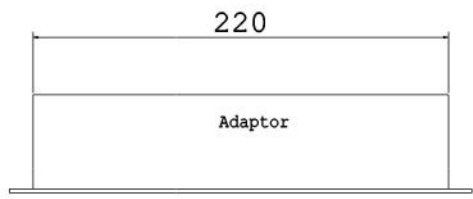
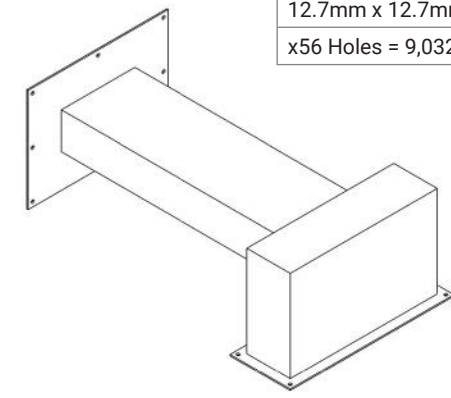


DO NOT SCALE

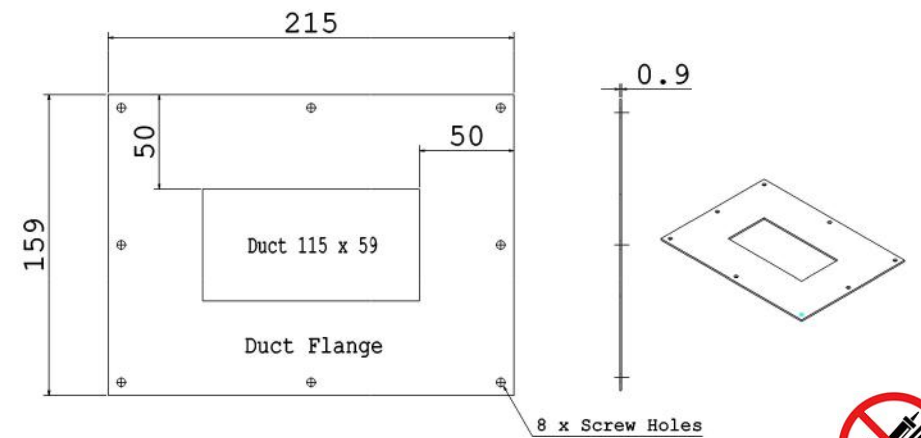
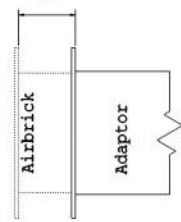
Rytons A1® Fire-rated Retrofit 90° Ducting Kit 110mm x 54mm with Square Holed Single Air Brick Flanged



Free Area Calculation	
12.7mm x 12.7mm Square Hole	= 161.29mm <sup>2</sup>
x56 Holes	= 9,032.24mm <sup>2</sup>



Telescopic  
Up to an extra 40mm



Rytons A1® Fire-rated Retrofit 90° Ducting Kit 110mm x 54mm with Square Holed Single Air Brick Flanged

- Drawings are not to scale
- Dimensions are in mm
- Products are hand made and have a tolerance of +/- 5%

Product Code: A1RF90DK110X54SQSF

Square Holed Single Air Brick Flanged  
9,032mm<sup>2</sup> free area (> 90% of the duct)

Registered Design 6085462  
Patent Pending

V5



Intellectual property of Rytons Building Products Ltd. Not to be copied, distributed or reproduced without Rytons written agreement. In case of query email admin@rytons.com.