

Rytons A1® Fire-rated Ducting Kit 100mm Dia. with FlowRyt® Double Air Brick Flanged
Custom RAL colour air brick in matt, semi-gloss or gloss finish achieving Class A2-s1, d0
RAL6010 (Grass green) matt finish pictured
Connector for 110mm x 54mm ducting
Registered Design 6109946
Patent Approved
Product Code: A1DK100FRDF

RYTONS
www.vents.co.uk
A Family Business
Since 1972



**MADE IN
BRITAIN**



EUROPEAN CLASSIFICATION A1
NON-COMBUSTIBLE - FIRE SAFE



Rytons A1® Fire-rated Ducting Kit 100mm Dia. with FlowRyt® Double Air Brick Flanged
Custom RAL colour air brick in matt, semi-gloss or gloss finish achieving Class A2-s1, d0
RAL6010 (Grass green) matt finish pictured
Connector for 100mm dia. ducting
Registered Design 6109947
Patent Approved
Product Code: A1DK100FRDF

RYTONS
www.vents.co.uk
A Family Business
Since 1972



**MADE IN
BRITAIN**

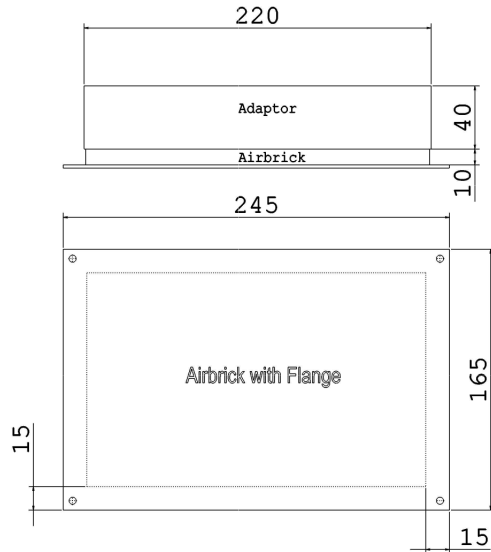
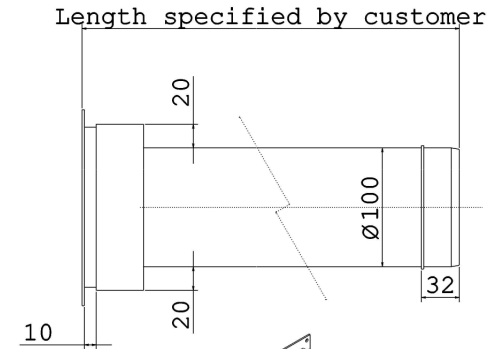
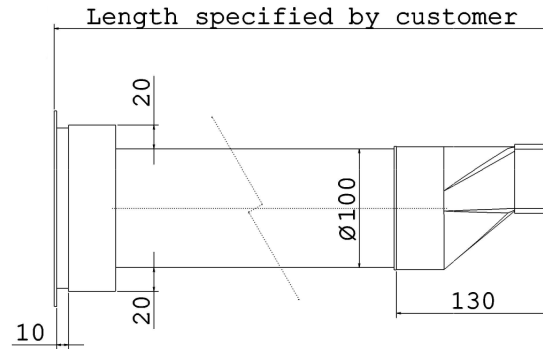
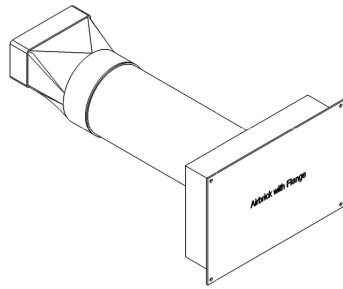


EUROPEAN CLASSIFICATION A1
NON-COMBUSTIBLE - FIRE SAFE

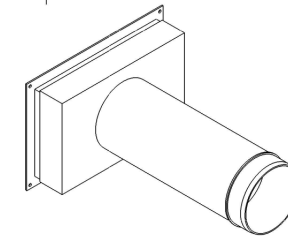
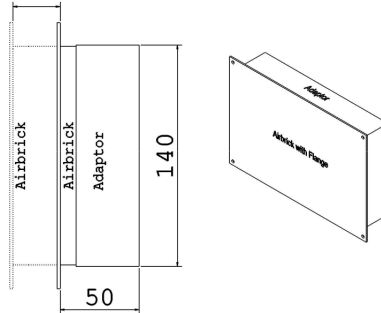


DO NOT SCALE

Rytons A1® Fire-rated Ducting Kit 100mm Dia. with FlowRyt® Double Air Brick Flanged



Telescopic
Up to an extra 30mm



Free Area Calculation
100mm x 10mm FlowRyt® Grille = 1,000mm ²
x18 Grilles = 18,000mm ²



Rytons A1® Fire-rated Ducting Kit 100mm Dia. with FlowRyt® Double Air Brick Flanged

- Drawings are not to scale
- Dimensions are in mm
- Products are hand made and have a tolerance of +/- 5%

Product Code:
A1DK100FRDF

FlowRyt® Double Air Brick Flanged
18,000mm² free area (> 90% of the duct)

Registered Design: 6109946 & 6109947 | Patent Approved

V4i



Intellectual property of Rytons Building Products Ltd. Not to be copied, distributed or reproduced without Rytons written agreement. In case of query email admin@rytons.com.

