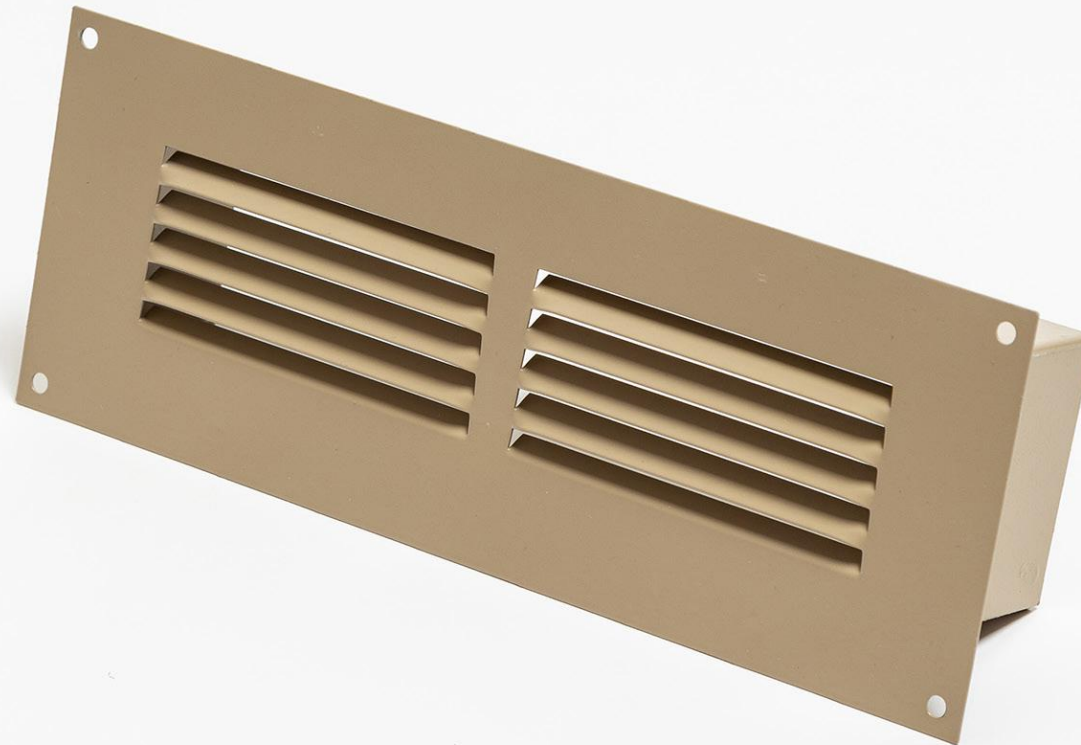


Ryttons A1® Fire-rated Return Grille Single Air Brick Flanged
Custom RAL colour in matt, semi-gloss or gloss finish achieving Class A2-s1, d0
RAL1019 (Grey beige) matt finish pictured
Registered Design 6078055
Patent Approved
Product Code: A1RGSF



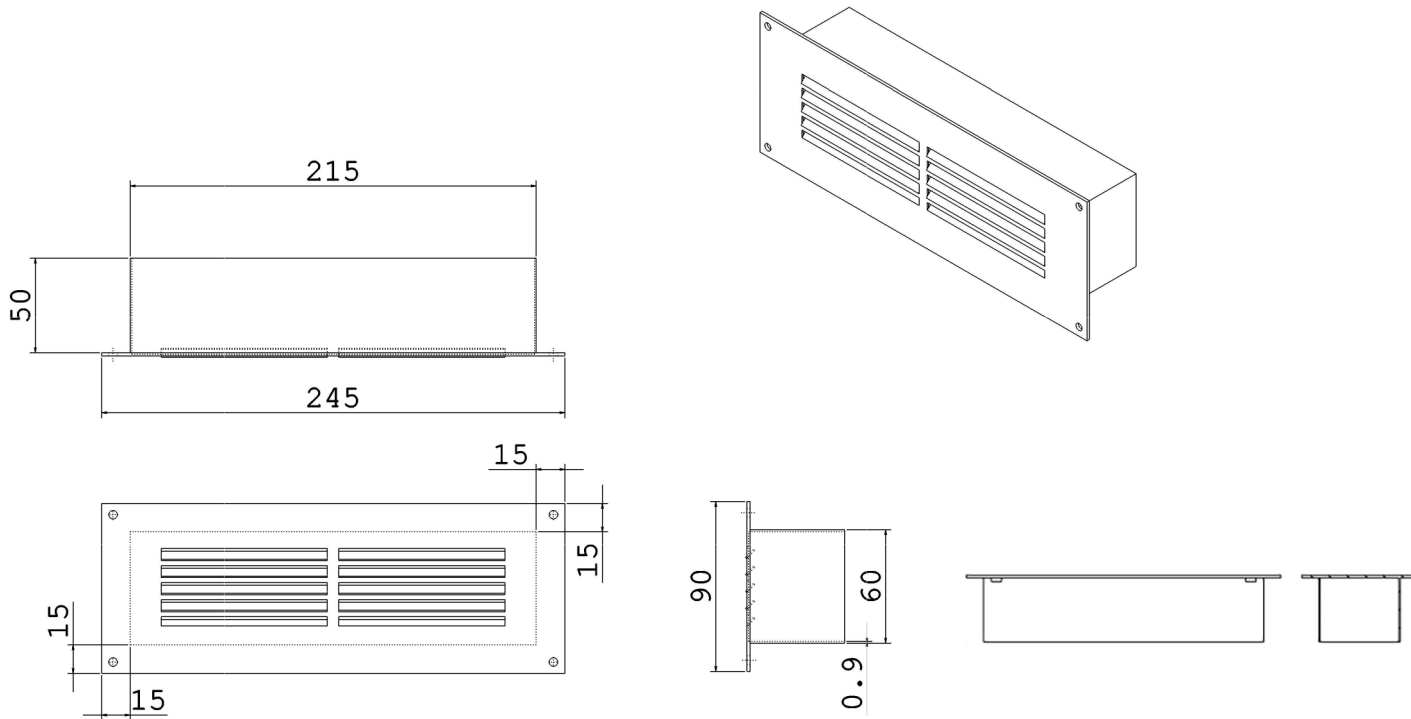
**MADE IN
BRITAIN**



EUROPEAN CLASSIFICATION A1
— NON-COMBUSTIBLE . FIRE SAFE —

DO NOT SCALE

Rytons A1® Fire-rated Return Grille Single Air Brick Flanged



Free Area Calculation
90mm x 8mm Return Grille = 720mm ²
x10 Grilles = 7,200mm ²



Rytons A1® Fire-rated Return Grille Single Air Brick Flanged	Product Code: A1RGSF	Free Area: 7,200mm ²	Registered Design 6078055 Patent Approved	V5i	
<ul style="list-style-type: none">• Drawings are not to scale• Dimensions are in mm• Products are hand made and have a tolerance of +/- 5%	Intellectual property of Rytons Building Products Ltd. Not to be copied, distributed or reproduced without Rytons written agreement. In case of query email admin@rytons.com.				