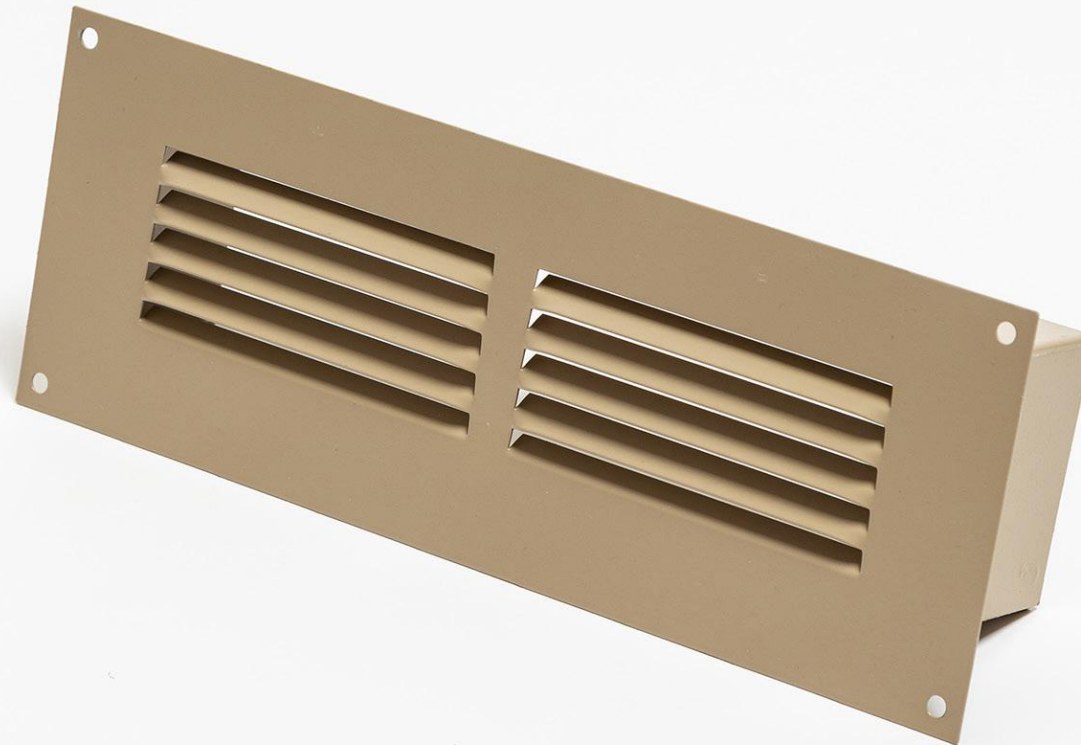


Rytons A1® Fire-rated Return Grille Single Air Brick Flanged  
Custom RAL colour in matt, semi-gloss or gloss finish achieving Class A2-s1, d0  
RAL1019 (Grey beige) matt finish pictured  
Registered Design 6078055  
Patent Pending  
Product Code: A1RGSF



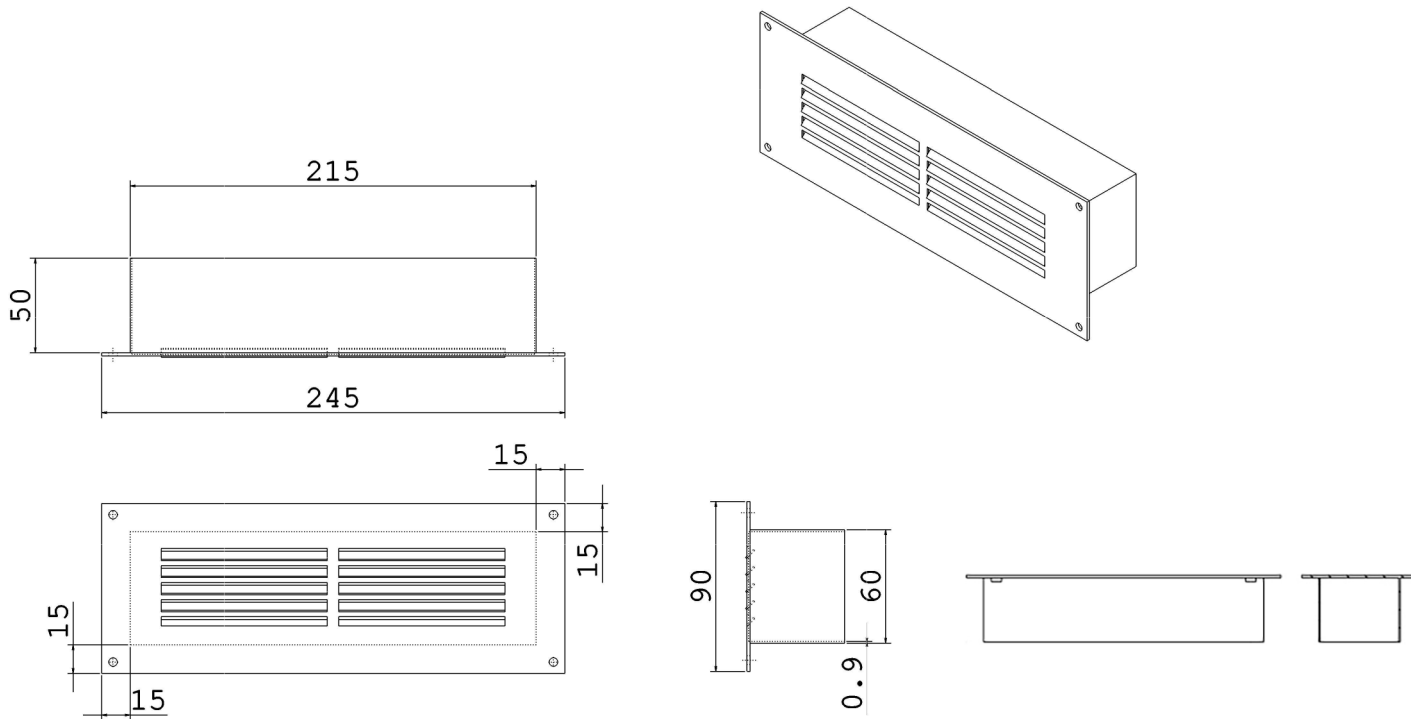
**MADE IN  
BRITAIN**



**EUROPEAN CLASSIFICATION A1**  
— NON-COMBUSTIBLE . FIRE SAFE —

DO NOT SCALE

### Rytons A1® Fire-rated Return Grille Single Air Brick Flanged



<b>Free Area Calculation</b>
90mm x 8mm Return Grille = 720mm <sup>2</sup>
x10 Grilles = 7,200mm <sup>2</sup>



Rytons A1® Fire-rated Return Grille Single Air Brick Flanged	Product Code: A1RGSF	Free Area: 7,200mm <sup>2</sup>	Registered Design 6078055 Patent Pending	V5	
<ul style="list-style-type: none"><li>• Drawings are not to scale</li><li>• Dimensions are in mm</li><li>• Products are hand made and have a tolerance of +/- 5%</li></ul>	Intellectual property of Rytons Building Products Ltd. Not to be copied, distributed or reproduced without Rytons written agreement. In case of query email admin@rytons.com.				