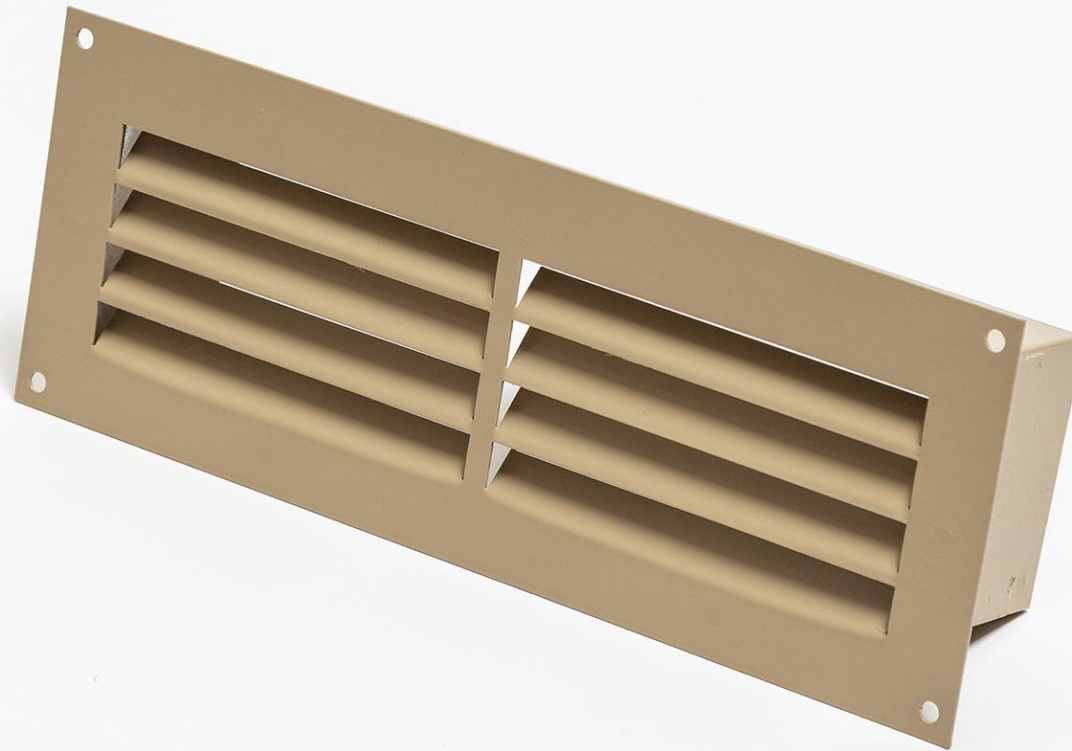


Rytons A1® Fire-rated FlowRyt® Single Air Brick Flanged
Custom RAL colour in matt, semi-gloss or gloss finish achieving Class A2-s1, d0
RAL1019 (Grey beige) matt finish pictured
Registered Design 6109960
Patent Pending
Product Code: A1FRSF



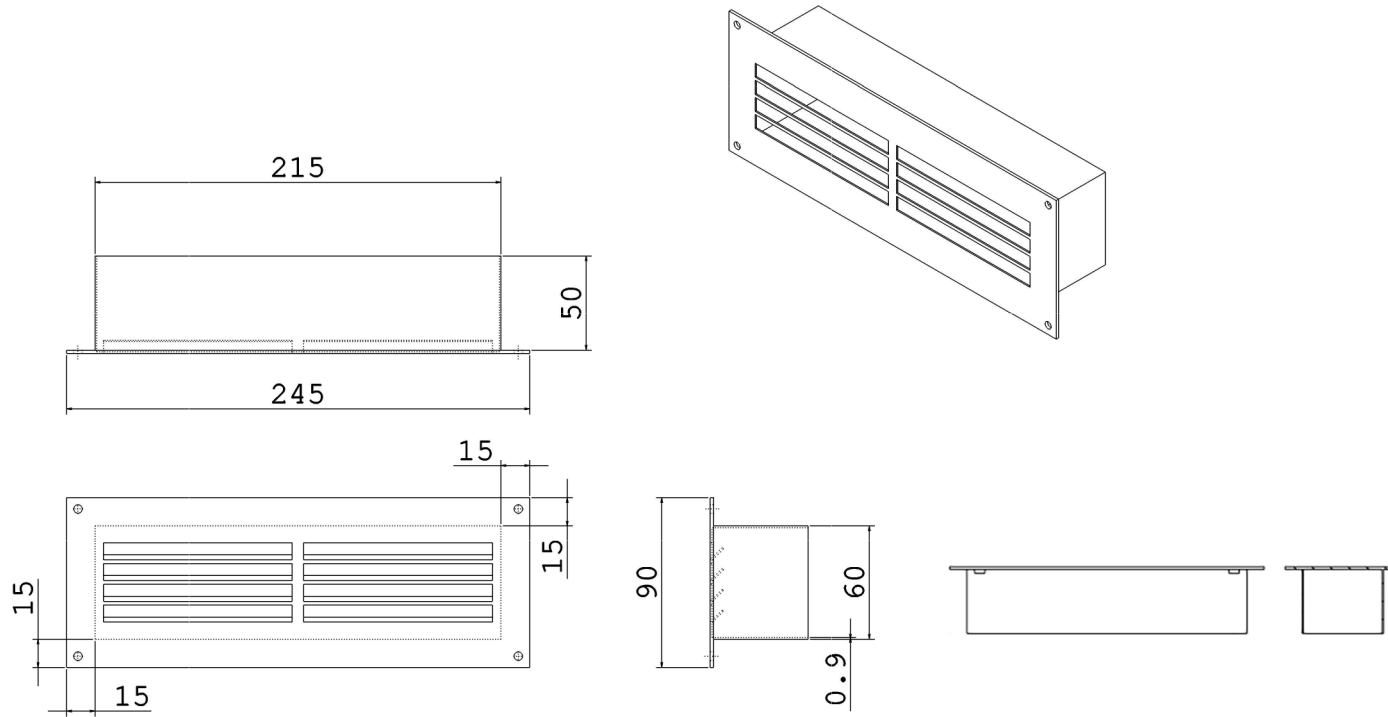
**MADE IN
BRITAIN**



EUROPEAN CLASSIFICATION A1
— NON-COMBUSTIBLE . FIRE SAFE —

DO NOT SCALE

Rytons A1® Fire-rated FlowRyt® Single Air Brick Flanged



Free Area Calculation
100mm x 10mm FlowRyt® Grille = 1,000mm ²
x8 Grilles = 8,000mm ²



Rytons A1® Fire-rated FlowRyt® Single Air Brick Flanged

Product Code:
A1FRSF

Free Area:
8,000mm²

Registered Design 6109960
Patent Pending

V5



• Drawings are not to scale • Dimensions are in mm
• Products are hand made and have a tolerance of +/- 5%

Intellectual property of Rytons Building Products Ltd. Not to be copied, distributed or reproduced without Rytons written agreement. In case of query email admin@rytons.com.

