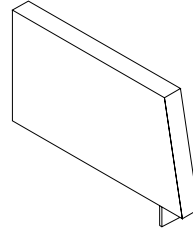
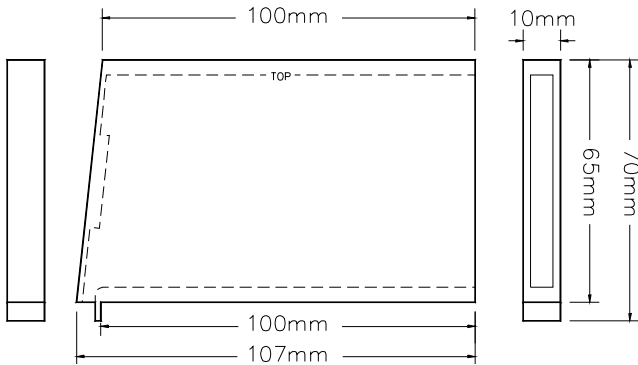


## Technical Data Sheet

### Rytons Weep Hole Duct

#### Dimensional Drawing

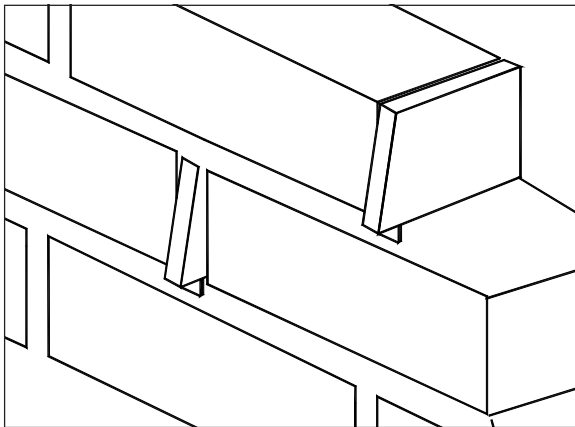


Irish Reg. Stat.

#### Main Uses, Features and Benefits

- The ORIGINAL purpose made weep hole.
- Lip prevents staining of brickwork.
- End cap prevents water ingress.
- No special fixing or brickwork required.

#### In-Situ Line Drawing



F30 Accessories/Sundry Items for Brick/Block/Stone Walling  
Specification Clauses 08, 132

#### Product Specification Code

Rytons WHD.

#### Size

107mm (L) (including hood) x 65mm (H) x 10mm (W).  
R14 AutoCAD drawing available by e-mail.

#### Free Area

Not applicable.

#### Composition

High impact polystyrene.

#### Colours

Buff/sand, terracotta, brown.

#### Specification Paragraph

Manufacturer:

Rytons Building Products Ltd Tel: 01536 511874 Fax: 01536 310455  
Email: admin@rytons.com Web: www.vents.co.uk (updated regularly)

Product ref:

- Rytons Weep Hole Duct Buff/Sand (ref WHDBS to BBA 89/2321)
- Rytons Weep Hole Duct Terracotta (ref WHDTC to BBA 89/2321)
- Rytons Weep Hole Duct Brown (ref WHDDB to BBA 89/2321)

#### Installation

Installation is fast and easy as work proceeds with a Weep Hole Duct replacing the vertical mortar joint. Space every fourth brick to drain cavities above and below the dpc and above lintels and cavity trays.

#### BBA Approval

Rytons has 73 British Board of Agrément approved products; the largest range on the market. BBA certification is third party evaluation and accreditation, and approved products are accepted by building control officers, architects, engineers and surveyors nationwide. The NHBC also accept products approved by the BBA when used as stated in the relevant BBA certificate. Rytons also has an Irish Building Regulation Statement for each of their three BBA certificates.

#### In-Situ Drawing



#### Colour Key



## Technical Data Sheet

### Rytons Weep Hole Duct

#### Photo Library

Brown, Buff/Sand, Terracotta



#### On Site



#### UK Regulations, Standards and Guidelines

##### British Standards BS 5628-3:2005 and BS 8215:1991

Weepholes should be formed through the outer leaf immediately above the cavity tray. These may be formed in the vertical cross joints at intervals not greater than 1m. There should be not less than two weepholes over each opening.

##### BS 5628-3:2005 5.5.7.4 Weepholes

Weepholes need not be provided if walls have a rendered external surface finish.

##### NHBC Standards 2006

**6.1 - D6 (b)** Weep holes should be provided at 450mm (maximum) centres with at least two weep holes per opening.

The NHBC also recommend that any wall that supports ground should be drained to relieve water pressure.

##### From NHBC Technical Newsletter April 2005 (Issue 32)

##### Weep holes in rendered walls

If the outer leaf of a masonry wall is fully rendered then weep holes over cavity trays may be omitted. However, if the render stops short of the top of a wall and has a fair faced masonry panel above it then weep holes should be provided over the cavity trays within both the fair faced and the rendered section of the wall.

##### The Building Regulations 2000, Approved Document C 2004 edition Internal and external walls (moisture from the ground)

**5.5** If the wall is an external wall, the damp-proof course should be at least 150mm above the level of the adjoining ground. If the wall is an external cavity wall provide weep holes every 900mm to assist in the transfer of moisture through the external leaf. Where the damp-proof tray does not extend the full length of the exposed wall, i.e. above an opening, stop ends and at least two weep holes should be provided.

##### Zurich Building Guarantee Solid Foundation Manual

**External walls - masonry** Weep holes to be installed at not more than 900mm centres (or every 4 bricks) to drain water from cavity trays and from the concrete infill at ground level. At least two weepholes to be provided to drain cavity trays above openings.

**External walls - timber frame** Weepholes should be provided to external masonry above all lintels and cavity trays.

##### Handling Information

Box quantity: 100 number.

Box size: 26cm (W) x 22.5cm (H) x 15cm (D).

Box weight: 3kg.



Please recycle printouts where facilities exist.