

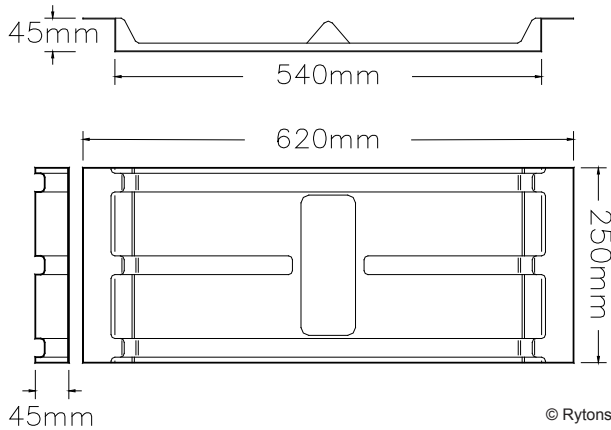
Technical Data Sheet

Rytons Roof Ventilator (for 600mm rafter centres)

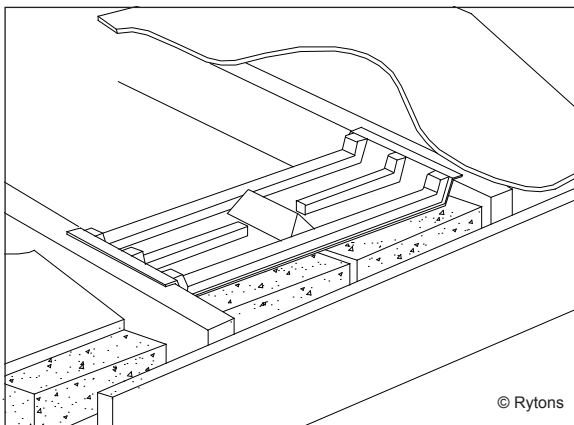
www.vents.co.uk (search code: TV600)

April 2010

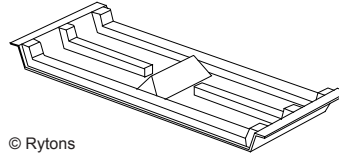
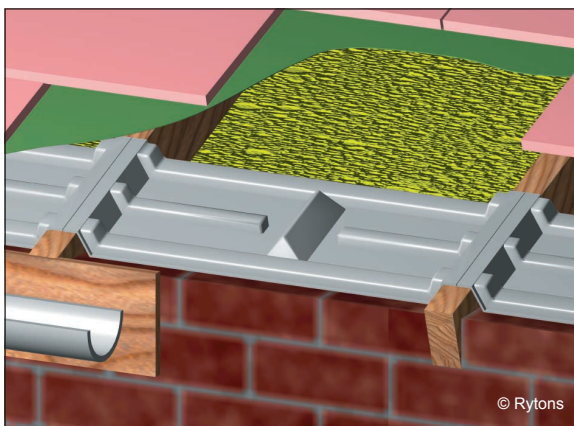
Dimensional Drawing



In-Situ Line Drawing



In-Situ Drawing



Approvals and Testing



Irish Reg. Stat.

Main Uses, Features and Benefits

- Roof ventilator.
- Maintains the path of air into the roof void.
- Overlapping flanges ensure secure fixing.
- Use with Rytons soffit, over fascia or T-Strip ventilators.

H60 Plain Roof Tiling

H61 Fibre Cement Slating

H62 Natural Slating

H65 Single Lap Roof Tiling

Specification Clauses 47, 355



Product Specification Code	Free Area
Rytons TV600	19000mm ² per unit (31666mm ² per metre)
Equivalent to a continuous opening 10mm and 25mm wide	

Size

620mm (L) x 250mm (D) x 45mm (H).

AutoCAD drawing available by email.

Composition

Recycled PVC.

Colours

Black.

Specification Paragraph

Manufacturer: Rytons Building Products Ltd

T: 01536 511874, F: 01536 310455, E: admin@rytons.com

Visit our website at www.vents.co.uk

Product ref:

Rytons Roof Ventilator for 600mm rafters (ref TV600 to BBA 94/3070)

Installation

Prior to laying roof felt, spike the flanges of the ventilator to the rafters. Wide, full length flanges facilitate overlapping, easy installation and prevent tearing/splitting. To avoid 'cold bridging' place the insulation beneath the roof ventilator and around the wall plates. Recommended for use with any of Rytons soffit ventilators or over fascia ventilators. Consideration should be given to using Rytons EavesGuard® (EG920) to prevent felt rot.



Technical Data Sheet

Rytons Roof Ventilator (for 600mm rafter centres)

www.vents.co.uk (search code: TV600)

April 2010

Photo Library



On Site



BBA Approval

Rytons has 73 British Board of Agrément approved products; the largest range on the market. BBA certification is third party evaluation and accreditation, and approved products are accepted by building control officers, architects, engineers and surveyors nationwide. The NHBC also accept products approved by the BBA when used as stated in the relevant BBA certificate. Rytons also has an Irish Building Regulation Statement for each of their three BBA certificates.

UK Regulations, Standards and Guidelines

British Standard BS 5250:2002 (amended 23 December 2005)

8.4.2.2.3.2 The openings should be equivalent in area to a continuous opening of not less than:

- a) 25mm x length at eaves for pitches of 15° or less.
- b) 10mm x length at eaves for pitches of more than 15°.

8.4.2.2.3.3 Additional ventilation openings, equivalent in area to a continuous opening of 5mm, should be provided at high level in:

- a) roofs where the pitch exceeds 35°.
- b) roofs of any pitch with a span greater than 10m.
- c) lean-to and mono-pitch roofs.

8.4.2.2.3.4 Ensure that:

- a) all airpaths between the insulation and the underlay, including those provided by proprietary eaves ventilation products, are at least 25mm deep, irrespective of opening size.
- b) ventilation openings are not blocked by insulation material, dust, airborne debris, paint or frost.
- d) entry of birds and large insects is prevented; to achieve that, and to avoid excessive airflow resistance, a normal mesh/grille size of 4mm is recommended.

The Building Regulations 2000, Approved Document C 2004 edition.

The Building (Scotland) Regulations 2007, Mandatory Standard 3.15.

The Building Regulations (Northern Ireland) 2000, Technical Booklet C.

NHBC Standards 2010, 7.2 Pitched Roofs - S11 (a).

Zurich Building Guarantee Solid Foundation Manual.

A roof will meet the requirements if it is designed and constructed in accordance with Clause 8.4 of BS 5250:2002.

Handling Information

Box quantity: 100 number.

Box size: 67cm (H) x 27cm (W) x 16cm (D).

Box weight: 6kg.

Questions

What can I use for thicker insulation?

Rytons Deep Roof Ventilator is double depth and will effectively hold down thicker insulation, refer to technical data sheet TV6005D.



Please recycle printouts where facilities exist.

