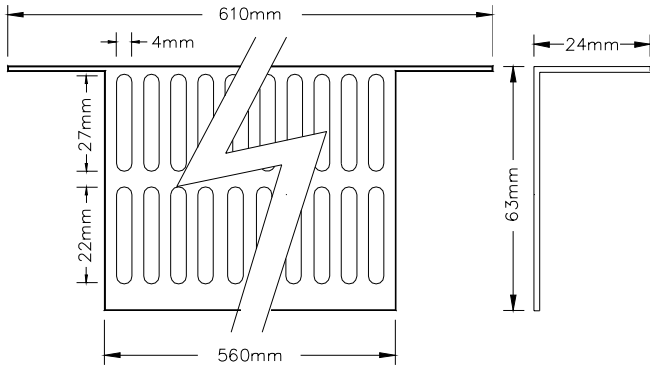


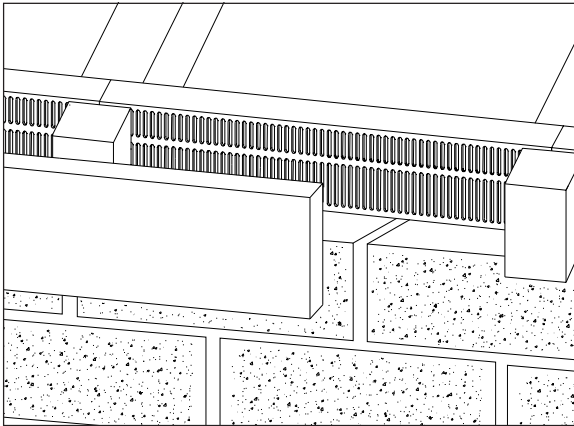
Technical Data Sheet

Rytons 25mm T-Strip

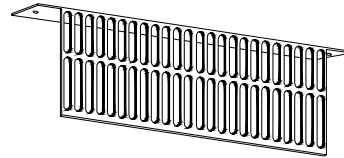
Dimensional Drawing



In-Situ Line Drawing



In-Situ Drawing



Irish Reg. Stat.

Main Uses, Features and Benefits

- Roof ventilator for open eaves or exposed rafters.
- Forms a flyscreen barrier across the rafters.
- Sized for 600mm centres but easily cut to suit smaller rafters.
- 4mm ventilation slots promote unrestricted air flow.
- Use with Rytons RRV250 or TV range.

H60 Plain Roof Tiling

Specification Clause 355

H61 Fibre Cement Slating

H62 Natural Slating

H65 Single Lap Roof Tiling

Specification Clauses 47, 355

Product Specification Code

Rytons TS625.

Size

610mm (L) x 24mm (W) x 63mm (H).

R14 AutoCAD drawing available by e-mail.

Free Area

16554mm² per length (27590mm² per metre).

Equal to a Continuous Opening

25mm wide.

Composition

Rigid uPVC.

Colours

Dark brown.

Specification Paragraph

Manufacturer:

Rytons Building Products Ltd Tel: 01536 511874 Fax: 01536 310455

Email: admin@rytons.com Web: www.vents.co.uk (updated regularly)

Product ref: Rytons 25mm T-Strip Brown (ref TS625BR to BBA 94/3070)

Installation

Spike through the pre-formed holes at each end to rafter ends. Recommended for use with Rytons Roof Ventilators (TV600, TV6005D) or Rytons Rafter Roll Ventilator (RRV250). Consideration should be given to using Rytons EavesGuard® (EG920) to prevent felt rot.

BBA Approval

Rytons has 73 British Board of Agrément approved products; the largest range on the market. BBA certification is third party evaluation and accreditation, and approved products are accepted by building control officers, architects, engineers and surveyors nationwide. The NHBC also accept products approved by the BBA when used as stated in the relevant BBA certificate. Rytons also has an Irish Building Regulation Statement for each of their three BBA certificates.

Technical Data Sheet

Rytons 25mm T-Strip

Colour Key

Dark
Brown

Photo Library



TS625 in conjunction with Rytons RRV250



TS625 in conjunction with Rytons TV600



TS625 in conjunction with Rytons TV6005D



UK Regulations, Standards and Guidelines

British Standard BS 5250:2002 (amended 23 December 2005)

8.4.2.2.3.2 The openings should be equivalent in area to a continuous opening of not less than:

- a) 25mm x length at eaves for pitches of 15° or less.
- b) 10mm x length at eaves for pitches of more than 15°.

8.4.2.2.3.3 Additional ventilation openings, equivalent in area to a continuous opening of 5mm, should be provided at high level in:

- a) roofs where the pitch exceeds 35°.
- b) roofs of any pitch with a span greater than 10m.
- c) lean-to and mono-pitch roofs.

8.4.2.2.3.4 Ensure that:

- a) all airpaths between the insulation and the underlay, including those provided by proprietary eaves ventilation products, are at least 25mm deep, irrespective of opening size.
- b) ventilation openings are not blocked by insulation material, dust, airborne debris, paint or frost.
- d) entry of birds and large insects is prevented; to achieve that, and to avoid excessive airflow resistance, a normal mesh/grille size of 4mm is recommended.

The Building Regulations 2000, Approved Document C 2004 edition.

The Building (Scotland) Regulations 2004, Mandatory Standard 3.15.

The Building Regulations (Northern Ireland) 2000.

NHBC Standards 2006 7.2 - S11 (a).

Zurich Building Guarantee Solid Foundation Manual.

A roof will meet the requirements if it is designed and constructed in accordance with Clause 8.4 of BS 5250:2002.

Handling Information

Pack quantity: 100 lengths.

Pack size: 64cm (W) x 7cm (H) x 24cm (D).

Pack weight: 7kg.

Questions

Does the vent have a flymesh?

All Rytons soffit vents feature 4mm wide ventilation slots, which form a barrier against birds and large insects. The addition of a smaller gauge mesh would dramatically increase the risk of blockage by airborne debris affecting the performance of the vent.

What if my rafters are less than 600mm?

Simply trim the flyscreen section with a fine tooth saw to the size required.



Please recycle printouts where facilities exist.