

Technical Data Sheet

Rytons Window Trickle Ventilator (R2000)

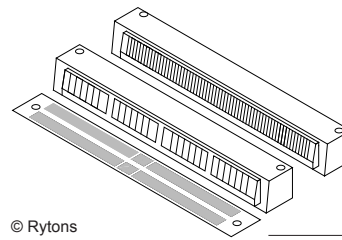
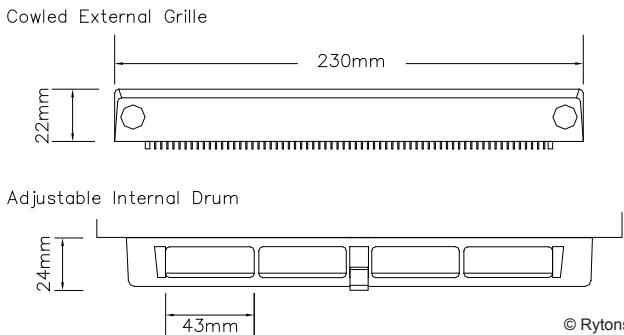
www.vents.co.uk (search code: R2000)

April 2010



Please recycle printouts where facilities exist.

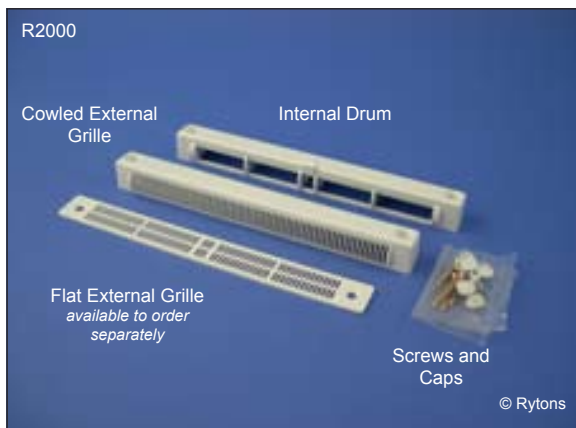
Dimensional Drawing



© Rytons

Flat External Grille available to order separately

Photo Library



Main Uses, Features and Benefits

- Through window background ventilator for a habitable room.
- Equivalent area BRE tested.
- Surface mounted over milled out slots in the window frame.
- Supplied with adjustable internal drum and cowled external grille.
- Internal drum manually controlled.
- Fixing screws and caps included.
- U.V. stabilised to protect against deterioration by sunlight.



U90 General Ventilation – Domestic
Specification Clause 35, 350

| Product Specification Code | Equivalent Area |
|----------------------------|--|
| Rytons R2000 | 1380mm ² (13.8cm ²) |

Size

230mm (L) x 24mm (D) x 22mm (H).
AutoCAD drawing available on request.

Alternative Equivalent Areas

Internal Drum & External Flat Grille: 1360mm² (13.6cm²) per unit.
Internal Drum & Both External Grilles: 1120mm² (11.2cm²) per unit.

Important Information

The equivalent area moulded into the external grille relates only to the external cowled grille and adjustable internal drum combination supplied. It is the responsibility of the end user to supply the correct information should an alternative external grille or internal control mechanism be fitted.

Composition

U.V. stabilised PVC.

Colours

White, brown.

Specification Paragraph

Manufacturer: Rytons Building Products Ltd
T: 01536 511874, F: 01536 310455, E: admin@rytons.com
Visit our website at www.vents.co.uk

Product ref:

- Rytons Trickle Ventilator White (ref R2000WH)
- Rytons Trickle Ventilator Brown (ref R2000BR)

UK Regulations, Standards and Guidelines

The Building Regulations 2000, Approved Document F 2006 edition.
The Building (Scotland) Regulations 2007, Mandatory Standard 3.14.
The Building Regulations (Northern Ireland) 2000, Technical Booklet K.
British Standard BS 5250:2002.

Colour Key



Installation

Mill two 83mm x 12.5mm slots in the head of the window leaving a 19mm space between them. Inside place internal vent/drum assembly over the slots and fix using the screws provided. Outside place cowled external grille over the slots and fix using the screws provided. Conceal screws with caps enclosed.

Handling Information

Box quantity: 25 number.
Box size: 46cm (W) x 17cm (H) x 31.5cm (D).
Box weight: 3kg.

Questions

Who is the BRE?

The Building Research Establishment Ltd, a respected independent testing authority.



Technical Data Sheet

Rytons Window Trickle Ventilator (R4000)

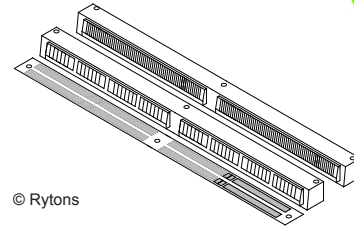
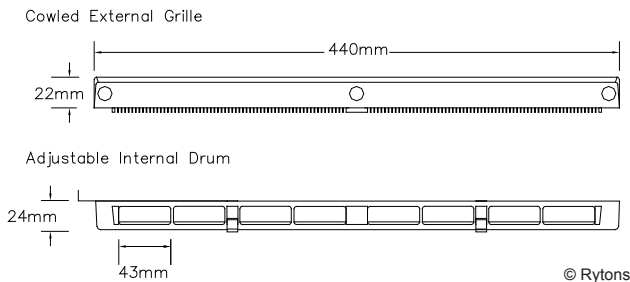
www.vents.co.uk (search code: R4000)

April 2010



Please recycle printouts where facilities exist.

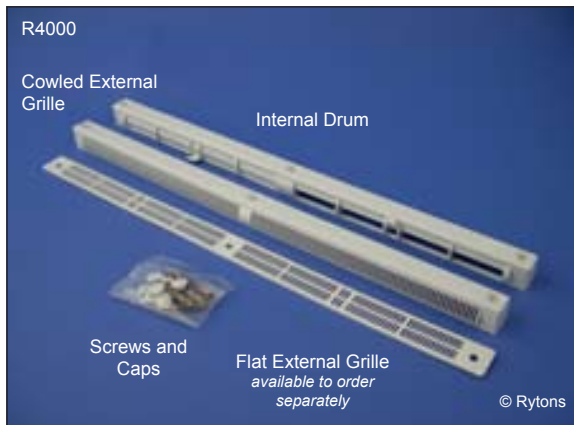
Dimensional Drawing



© Rytons

Flat External Grille available to order separately

Photo Library



Main Uses, Features and Benefits

- Through window background ventilator for a habitable room.
- Equivalent area BRE tested.
- Surface mounted over milled out slots in the window frame.
- Supplied with adjustable internal drum and cowled external grille.
- Internal drum manually controlled.
- Fixing screws and caps included.
- U.V. stabilised to protect against deterioration by sunlight.



U90 General Ventilation – Domestic
Specification Clause 35, 350

| Product Specification Code | Equivalent Area |
|----------------------------|--|
| Rytons R4000 | 2580mm ² (25.8cm ²) |

Size

440mm (L) x 24mm (D) x 22mm (H).

AutoCAD drawing available on request.

Alternative Equivalent Areas

Internal Drum & External Flat Grille: 2700mm² (27cm²) per unit.

Internal Drum & Both External Grilles: 2030mm² (20.3cm²) per unit.

Important Information

The equivalent area moulded into the external grille relates only to the external cowled grille and adjustable internal drum combination supplied. It is the responsibility of the end user to supply the correct information should an alternative external grille or internal control mechanism be fitted.

Composition

U.V. stabilised PVC.

Colours

White, brown.

Specification Paragraph

Manufacturer: Rytons Building Products Ltd

T: 01536 511874, F: 01536 310455, E: admin@rytons.com

Visit our website at www.vents.co.uk

Product ref:

- Rytons Trickle Ventilator White (ref R4000WH)

- Rytons Trickle Ventilator Brown (ref R4000BR)

UK Regulations, Standards and Guidelines

The Building Regulations 2000, Approved Document F 2006 edition.

The Building (Scotland) Regulations 2007, Mandatory Standard 3.14.

The Building Regulations (Northern Ireland) 2000, Technical Booklet K.

British Standard BS 5250:2002.

Colour Key



Installation

Mill four 83mm x 12.5mm slots in the head of the window leaving spaces of 19mm and 25mm (central) between them. Inside place internal vent/drum assembly over the slots and fix using the screws provided. Outside place cowled external grille over the slots and fix using the screws provided. Conceal screws with caps enclosed.

Handling Information

Box quantity: 25 number.

Box size: 46cm (W) x 24.5cm (H) x 31.5cm (D).

Box weight: 6.25kg.

Questions

Who is the BRE?

The Building Research Establishment Ltd, a respected independent testing authority.

