

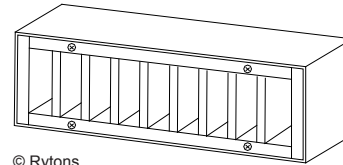
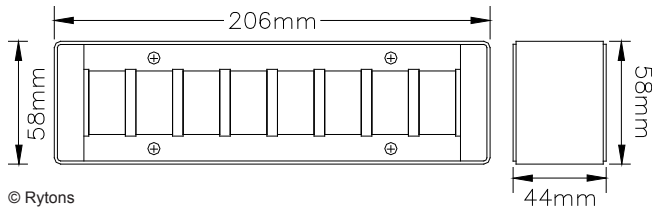
## Technical Data Sheet

### Rytons '9x3' Intumescent RytBlock

[www.vents.co.uk](http://www.vents.co.uk) (search code: TL8FIRE)

April 2010

#### Dimensional Drawing

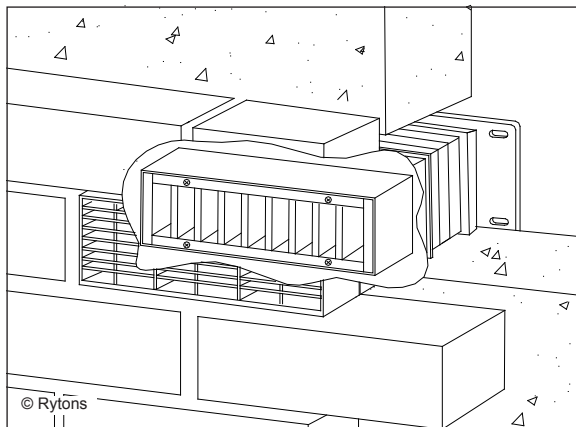


Fire retardant

#### Main Uses, Features and Benefits

- Heavy duty intumescent grille for walls and ducts.
- In the event of a fire the slats fuse together and give a complete seal in 2 minutes (tested in accordance with BS476 Parts 20 and 22).
- Gives 3 hours protection preventing the passage of smoke and gases.
- Temperature increase insulated for 22 minutes.
- Steel framework protects surrounding intumescent materials by preventing the inward deformation.
- May be used in high humidity.
- Compatible with Rytons '9x3' AirLiners®.

#### In-Situ Line Drawing



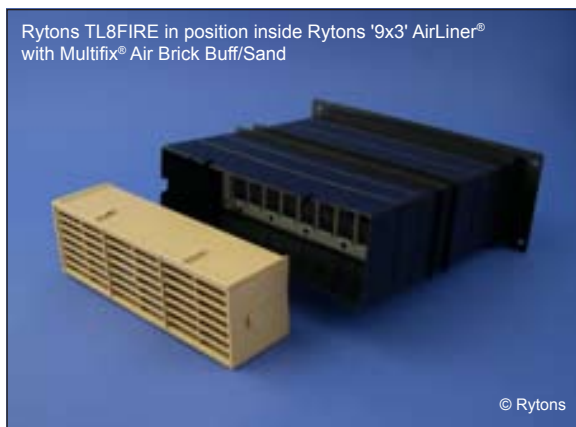
F30 Accessories/Sundry Items for Brick/Block/Stone Walling  
Specification Clauses 17, 171

BS Plus

P21 Door/Window Ironmongery  
Specification Clauses 66, 895

U90 General Ventilation – Domestic  
Specification Clauses 50, 443

#### Photo Library



Product Specification Code	Free Area
Rytons TL8FIRE	5330mm <sup>2</sup> (53.3cm <sup>2</sup> ) (8¼"²)

#### Size

206mm (L) x 58mm (H) x 44mm (D).  
AutoCAD drawing available by email.

#### Colours

Steel grey.

#### Specification Paragraph

Manufacturer: Rytons Building Products Ltd  
T: 01536 511874, F: 01536 310455, E: admin@rytons.com  
Visit our website at [www.vents.co.uk](http://www.vents.co.uk)  
Product ref: Rytons '9x3' Intumescent RytBlock (ref TL8FIRE)  
Type: 3 hour fire resisting Intumescent grille

#### Installation

Position inside AirLiner® between baffle and Multifix® Air Brick (MFAB).

#### Important Note

Ensure block is surrounded by external brickwork or blockwork.

## Questions

### Can RytBlocks be used in a fire door?

Yes, all our intumescent blocks are high performance and can be used in fire doors.



Please recycle printouts where facilities exist.



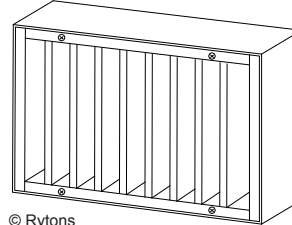
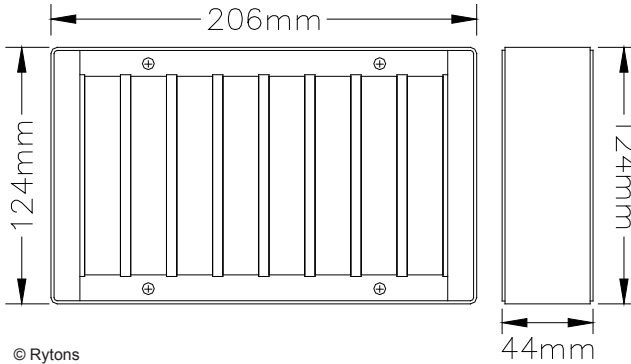
## Technical Data Sheet

### Rytons '9x6' Intumescent RytBlock

[www.vents.co.uk](http://www.vents.co.uk) (search code: TL16FIRE)

April 2010

#### Dimensional Drawing

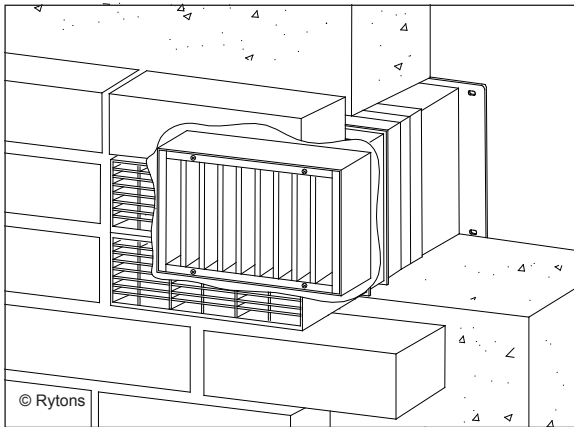


Fire retardant

#### Main Uses, Features and Benefits

- Heavy duty intumescent grille for walls and ducts.
- In the event of a fire the slats fuse together and give a complete seal in 2 minutes (tested in accordance with BS476 Parts 20 and 22).
- Gives 3 hours protection preventing the passage of smoke and gases.
- Temperature increase insulated for 22 minutes.
- Steel framework protects surrounding intumescent materials by preventing the inward deformation.
- May be used in high humidity.
- Compatible with Rytons '9x6' AirLiners®.

#### In-Situ Line Drawing



#### F30 Accessories/Sundry Items for Brick/Block/Stone Walling

Specification Clauses 17, 171

#### P21 Door/Window Ironmongery

Specification Clauses 66, 895

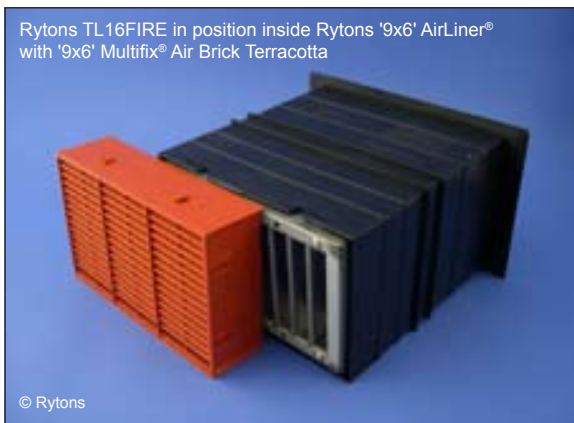
#### U90 General Ventilation – Domestic

Specification Clauses 50, 443

NSPlus

Product Specification Code	Free Area
Rytons TL16FIRE	13390mm <sup>2</sup> (133.9cm <sup>2</sup> ) (20¾"²)

#### Photo Library



#### Size

206mm (L) x 124mm (H) x 44mm (D).

AutoCAD drawing available by email.

#### Colours

Steel grey.

#### Specification Paragraph

Manufacturer: Rytons Building Products Ltd

T: 01536 511874, F: 01536 310455, E: admin@rytons.com

Visit our website at [www.vents.co.uk](http://www.vents.co.uk)

Product ref: Rytons '9x6' Intumescent RytBlock (ref TL16FIRE)

Type: 3 hour fire resisting Intumescent grille

#### Installation

Position inside AirLiner® between baffles and Multifix® Air Brick. Note: Whilst it is possible to locate Rytons '9x6' Intumescent RytBlock inside Rytons '9x6' AirLiners® and Acoustic AirLiners® the installer/designer should ensure that the external wall is of sufficient thickness (103mm minimum) to allow the RytBlock to be surrounded by brick or blockwork once the Multifix® Air Brick is in position.

#### Important Note

Ensure block is surrounded by external brickwork or blockwork.

## Questions

### Can RytBlocks be used in a fire door?

Yes, all our intumescent blocks are high performance and can be used in fire doors.



Please recycle printouts where facilities exist.

