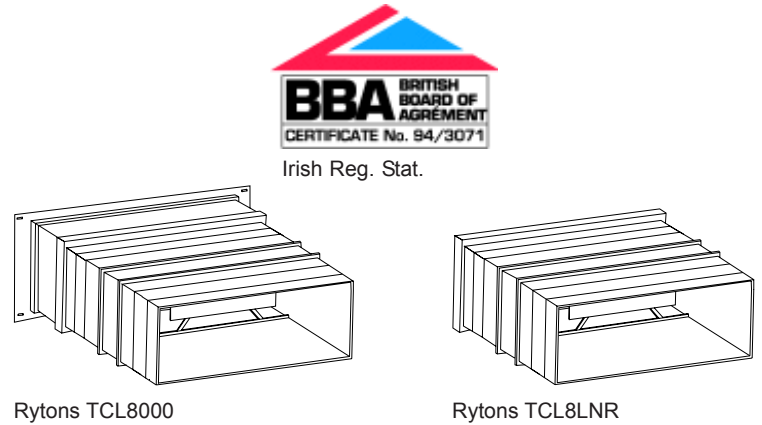
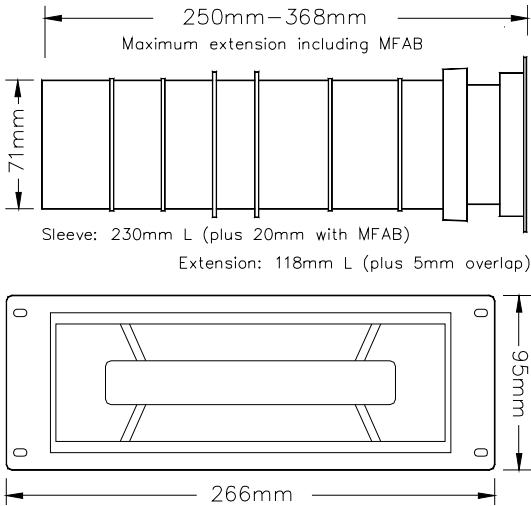


Technical Data Sheet

Rytons '9x3' AirLiners® (Telescopic and Non-Telescopic)

Dimensional Drawing

Rytons '9x3' Telescopic AirLiner® (TCL8000)



Rytons TCL8000

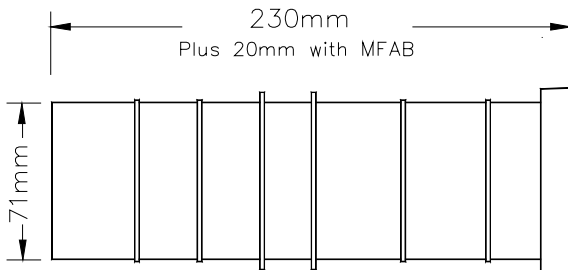
Rytons TCL8LNR

Main Uses, Features and Benefits

- Rigid cavity liners.
- Internal baffle reduces light and draughts.
- External baffles prevent water transfer.
- Use with Rytons Multifix® Air Brick (MFAB) and internal louvre and hit & miss ventilators.

Dimensional Drawing

Rytons '9x3' Non-Telescopic AirLiner® (TCL8LNR)



Product Specification Code

Rytons TCL8000 - '9x3' Telescopic AirLiner®.

Rytons TCL8LNR - '9x3' Non-Telescopic AirLiner®.

Size

TCL8000: 220mm (W) x 71mm (H).

Extends from 250mm to 368mm (L) with Multifix® Air Brick fitted.

TCL8LNR: 220mm (W) x 71mm (H) x 230mm (D).

R14 AutoCAD drawing available by e-mail.

Free Area

8000mm² (80cm²) per unit.

Note: Air space may be reduced by fitted components.

Composition

Polypropylene.

Colours

Black.

Specification Paragraph

Manufacturer:

Rytons Building Products Ltd Tel: 01536 511874 Fax: 01536 310455

Email: admin@rytons.com Web: www.vents.co.uk (updated regularly)

Product ref:

- Rytons '9x3' Telescopic AirLiner® (ref TCL8000 to BBA 94/3071)

- Rytons '9x3' Non-Telescopic AirLiner® (ref TCL8LNR to BBA 94/3071)

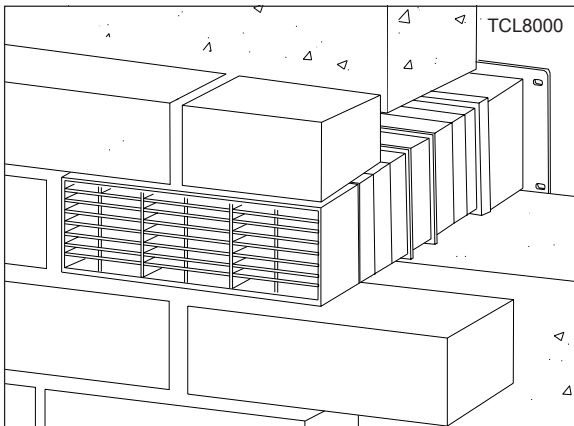
Installation

No special fixing required. Insert air brick into AirLiner®. Build in air brick and AirLiner® as work proceeds. Extend telescopic sleeve as necessary. Finish off internal area with a Rytons Louvre or Hit & Miss Ventilator.

Alternative Applications

Through-wall ventilator, background ventilator, underfloor ventilator.

In-Situ Line Drawing



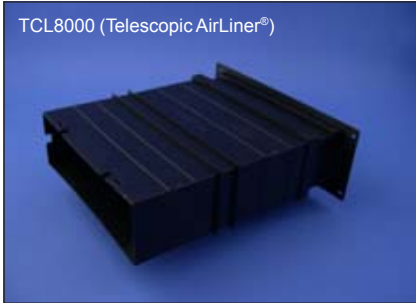
Technical Data Sheet

Rytons '9x3' AirLiners®

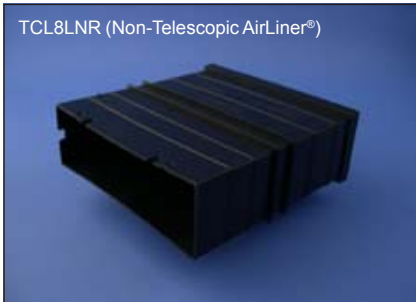
(Telescopic and Non-Telescopic)

Photo Library

TCL8000 (Telescopic AirLiner®)



TCL8LNR (Non-Telescopic AirLiner®)



TCL8LNR (Non-Telescopic AirLiner®)



May be used to extend
Rytons Periscope®
horizontally

BBA Approval

Rytons has 73 British Board of Agrément approved products; the largest range on the market. BBA certification is third party evaluation and accreditation, and approved products are accepted by building control officers, architects, engineers and surveyors nationwide. The NHBC also accept products approved by the BBA when used as stated in the relevant BBA certificate. Rytons also has an Irish Building Regulation Statement for each of their three BBA certificates.

UK Regulations, Standards and Guidelines

For heat producing appliances (including solid fuel) refer to:

The Building Regulations 2000, Approved Document J.
The Building (Scotland) Regulations 2004, Mandatory Standard 3.21.
The Building Regulations (Northern Ireland) 2000, Technical Booklet L.
British Standard BS 5440-2:2000.

For decorative fuel effect gas fires refer to:

British Standard BS 5871-3:2005.

For background ventilation refer to:

The Building Regulations 2000, Approved Document F 2006 edition.
The Building (Scotland) Regulations 2004, Mandatory Standard 3.14.
The Building Regulations (Northern Ireland) 2000, Technical Booklet K.
British Standard BS 5250:2002.

Handling Information

Box quantity: 20 number.
Box size: 81cm (W) x 47.5cm (H) x 27.5cm (D).
Box weight: TCL8000 6kg, TCL8LNR 5.22kg.

Questions

Do I have to use a plastic air brick?

No, Rytons AirLiner® is compatible with a standard 9" x 3" clay air brick and there is no reason why old and new cannot be brought together but remember a clay air brick has a much smaller free air space than plastic.

What can I use to extend the AirLiner® further?

It is possible to join Rytons '9x3' Non-Telescopic AirLiners® (TCL8LNR) together to form extended ducting and also to use Rytons '9x3' Non-Telescopic AirLiner® (TCL8LNR) as an extension for Rytons '9x3' Telescopic AirLiner® (TCL8000). It is recommended that all joints be sealed with an appropriate tape.



Please recycle printouts where facilities exist.