

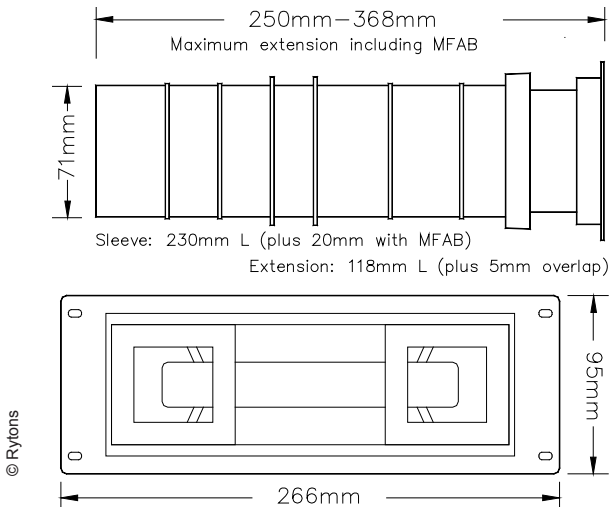
## Technical Data Sheet

[www.vents.co.uk](http://www.vents.co.uk) (search code: TCL8)

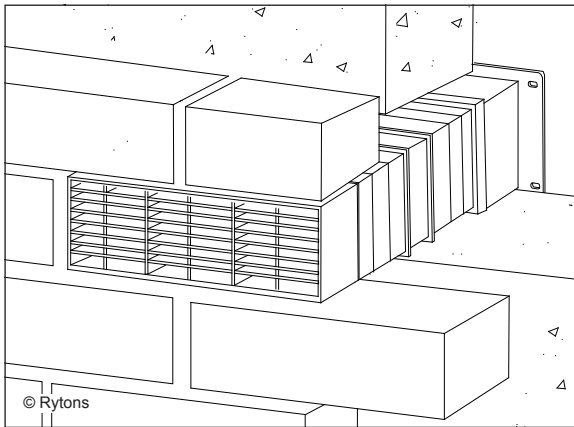
# Rytons '9x3' Ventilation Set with Flush Louvre Ventilator (Light and Draught Reducing)

May 2010

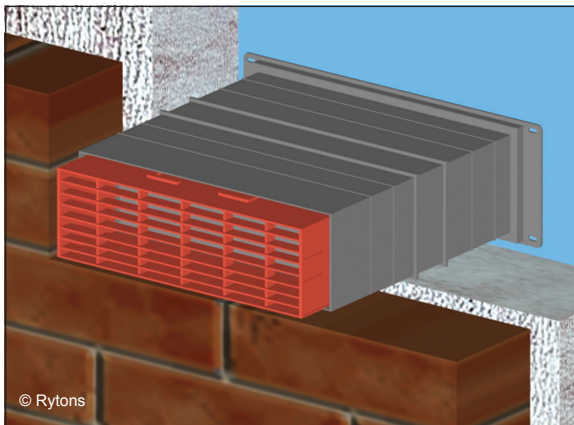
### Dimensional Drawing (Rytons TCL8000)



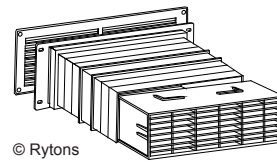
### In-Situ Line Drawing



### In-Situ Drawing



### Approvals and Testing



### Main Uses, Features and Benefits

- Combustion air vent for heat producing appliances.
- Room or compartment ventilator.
- Equivalent area calculated by Advantica at 15 Pa to BS 5440-2:2000.
- HETAS approved for use with solid fuel appliances.
- Internal baffle reduces light and draughts.
- Finished with fixed open flush fitting louvre ventilator.
- Set contains Rytons Multifix® Air Brick (MFAB), Rytons '9x3' Telescopic AirLiner® (TCL8000) and Rytons Flush Fitting Louvre Ventilator '9x3' (LF80).
- U.V. stabilised air brick and louvre ventilator to protect against deterioration by sunlight.



### F30 Accessories/Sundry Items for Brick/Block/Stone Walling

nsPlus

Specification clauses 17, 171

**U90 General Ventilation - Domestic**

Specification clauses 30, 34, 310, 340

Product Specification Code	Equivalent Area
Rytons TCL8	5350mm <sup>2</sup> (53.5cm <sup>2</sup> ) (8¼"²)

### Size

MFAB & TCL8000: 220mm (W) x 71mm (H).

Extends from 250mm to 368mm (L) with Rytons Multifix® Air Brick fitted.

LF80: 270mm (L) x 97mm (H).

### Gas Appliances

Suitable for an open-flued gas appliance installed in a room or internal space with a gross rated input up to 17kW.

### Solid Fuel Appliances

(e.g. Stoves, Range Cookers or Independent Boilers)

Closed appliance without a draught stabiliser fitted - suitable up to 14kW.

Closed appliance with a draught stabiliser fitted - suitable up to 9kW.



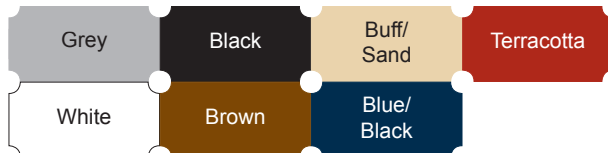
## Technical Data Sheet

[www.vents.co.uk](http://www.vents.co.uk) (search code: TCL8)

# Rytons '9x3' Ventilation Set with Flush Louvre Ventilator (Light and Draught Reducing)

May 2010

### Colour Key



### Photo Library



### Composition

MFAB: U.V. stabilised polypropylene.

TCL8000: Polypropylene. **Contains recycled plastic.**

LF80: U.V. stabilised high impact polystyrene.

### Colours

MFAB: Grey, black, buff/sand, terracotta, white, brown, blue/black.

TCL8000: Black.

LF80: White.

### Specification Paragraph

Manufacturer: Rytons Building Products Ltd

T: 01536 511874, F: 01536 310455, E: admin@rytons.com

Visit our website at [www.vents.co.uk](http://www.vents.co.uk)

Product ref:

- Rytons '9x3' Ventilation Set with Flush Louvre Grey (ref TCL8GR to BBA 94/3071)
- Rytons '9x3' Ventilation Set with Flush Louvre Black (ref TCL8BL to BBA 94/3071)
- Rytons '9x3' Ventilation Set with Flush Louvre Buff/Sand (ref TCL8BS to BBA 94/3071)
- Rytons '9x3' Ventilation Set with Flush Louvre Terracotta (ref TCL8TC to BBA 94/3071)
- Rytons '9x3' Ventilation Set with Flush Louvre White (ref TCL8WH to BBA 94/3071)
- Rytons '9x3' Ventilation Set with Flush Louvre Brown (ref TCL8DB to BBA 94/3071)
- Rytons '9x3' Ventilation Set with Flush Louvre Blue/Black (ref TCL8BB to BBA 94/3071)

Type: Telescopic Liner with Multifix® Air Brick and Flush Louvre Ventilator

Effective Area: 5350mm<sup>2</sup> (Advantica tested)

### Installation

No special fixing required. Build in cavity liner with fitted air brick as work proceeds. Extend telescopic sleeve as necessary. Fasten louvre ventilator into the flange of the AirLiner®. Consideration should be given to using Rytons '9x3' Cowl (ABC3) in exposed areas.

### BBA Approval

All components BBA approved. Rytons has 73 British Board of Agrément approved products; the largest range on the market. BBA certification is third party evaluation and accreditation, and approved products are accepted by building control officers, architects, engineers and surveyors nationwide. The NHBC also accept products approved by the BBA when used as stated in the relevant BBA certificate. Rytons also has an Irish Building Regulation Statement for each of their three BBA certificates.

### HETAS Approval

HETAS is the official body recognised by the government to approve solid fuel domestic heating appliances, fuels and services. Rytons is the only ventilation manufacturer to have solid fuel appliance ventilators approved by HETAS and is the only ventilation manufacturer recommended by HETAS to their registered engineers.

## Technical Data Sheet

[www.vents.co.uk](http://www.vents.co.uk) (search code: TCL8)

# Rytons '9x3' Ventilation Set with Flush Louvre Ventilator (Light and Draught Reducing)

May 2010

### A bit about Advantica

Advantica Technologies, previously known as British Gas Technologies and now GL Industrial Services, developed the dynamic test procedure for calculating the equivalent area of a ventilator. Advantica testing gives installers, suppliers and homeowners the assurance that the air space is **accurate** and **verifiable**.

### Extra Features and Benefits

Individually boxed sets for easy identification, handling and efficient installation.

Air brick louvres promote unrestricted air flow and reduce risk of blockage as well as keeping large insects out. Also features built-in water baffles to prevent water penetration.

External AirLiner® baffles prevent water transfer across the cavity.

Extra slim profile of the Flush Fitting Louvre gives a neat internal appearance.

Flush Fitting Louvre embossed with DO NOT BLOCK.

### UK Regulations, Standards and Guidelines

#### For heat producing appliances (including solid fuel) refer to:

The Building Regulations 2000, Approved Document J.

The Building (Scotland) Regulations 2005, Mandatory Standard 3.21.

The Building Regulations (Northern Ireland) 2000, Technical Booklet L.

British Standard BS 5440-2:2009.

#### For decorative fuel effect gas fires refer to:

British Standard BS 5871-3:2005.

### Handling Information

Box quantity: 1 set.

Box size: 32cm (W) x 10.5cm (H) x 29cm (D).

Box weight: 0.56kg.

## Questions

### What is the Equivalent Area with Rytons Louvre Ventilator '9x3' (LV88)?

6400mm<sup>2</sup> (64cm<sup>2</sup>) (9¾"²) per set (Advantica tested).

Suitable for an open-flued gas appliance installed in a room or internal space with a gross rated input up to 19kW.

### What can I use to extend the AirLiner® further?

It is possible to use Rytons '9x3' Non-Telescopic AirLiner® (TCL8LNR) as an extension, refer to technical data sheet TCL8LNR. It is recommended that all joints be sealed with an appropriate tape.

### Is a cowed option available for exposed areas?

Yes, refer to technical data sheet TCL8CWL.

### Is an acoustic option available?

Yes, refer to technical data sheet TAL4SET.



Please recycle printouts where facilities exist.

