

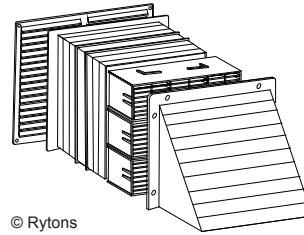
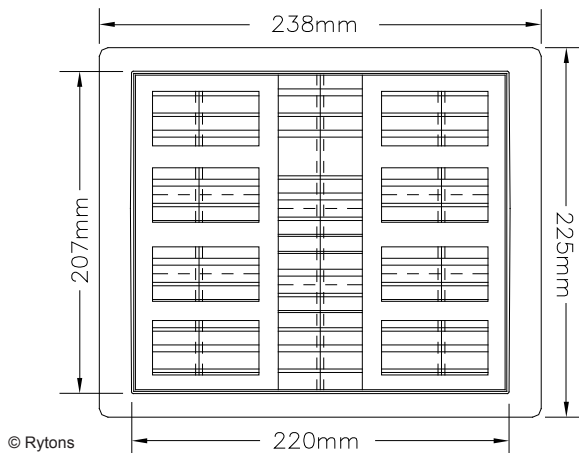
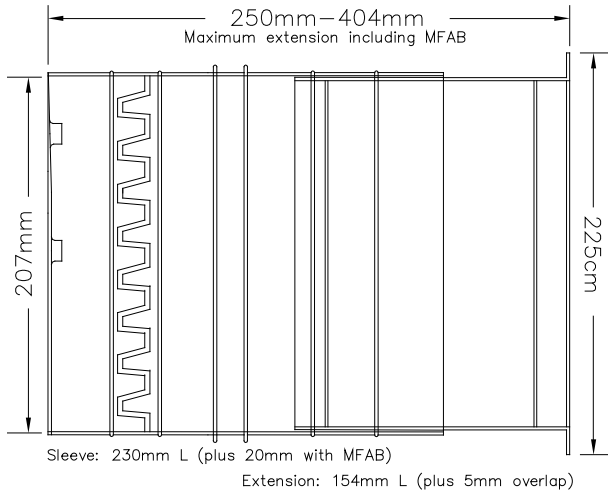
## Technical Data Sheet

[www.vents.co.uk](http://www.vents.co.uk) (search code: TCL20CW)

# Rytons '9x9' Cowled Ventilation Set with Louvre Ventilator (Light and Draught Reducing)

October 2010

### Dimensional Drawing (Rytons TCL20000)



### Approvals and Testing



### Main Uses, Features and Benefits

- Combustion air vent for heat producing appliances.
- Room or compartment ventilator.
- Provides over 140cm<sup>2</sup> equivalent area.
- Equivalent area calculated at 15 Pa by the BRE.
- HETAS approved for use with solid fuel appliances.
- Cowl and internal baffles reduce light and draughts.
- Finished with a fixed open louvre ventilator.
- Set contains Rytons Cowl '9x9' (ABC9), Rytons Multifix<sup>®</sup> Air Bricks (MFAB) x3, Rytons '9x9' Telescopic AirLiner<sup>®</sup> (TCL20000) and Rytons Louvre Ventilator '9x9' (LV265).
- U.V. stabilised cowl, air bricks and louvre ventilator to protect against deterioration by sunlight.



F30 Specification Clauses 17, 171  
U90 Specification Clauses 30, 34, 310, 340

Paste Rytons current NBS Plus data straight into  
your project specification from [www.vents.co.uk](http://www.vents.co.uk).

Product Specification Code	Equivalent Area
Rytons TCL20CW	14572mm <sup>2</sup> (145.72cm <sup>2</sup> ) (22½"²)

### Size

ABC9: 274mm (L) x 235mm (H) x 103mm (D).  
MFAB & TCL20000: 220mm (W) x 207mm (H).  
Extends from 250mm to 404mm (L) with Rytons Multifix<sup>®</sup> Air Bricks fitted.  
LV265: 271mm (L) x 247mm (H).

### Composition

ABC9: U.V. stabilised high impact polystyrene.  
MFAB: U.V. stabilised polypropylene.  
TCL20000: Polypropylene. **Contains recycled plastic.**  
LV265: U.V. stabilised high impact polystyrene.



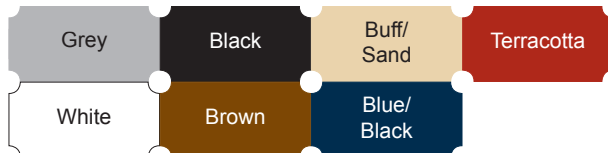
## Technical Data Sheet

[www.vents.co.uk](http://www.vents.co.uk) (search code: TCL20CW)

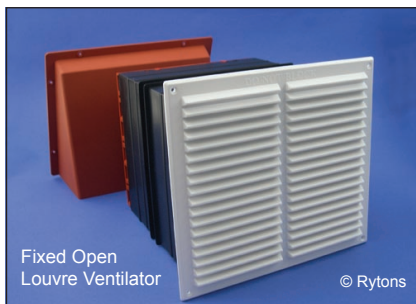
# Rytons '9x9' Cowled Ventilation Set with Louvre Ventilator (Light and Draught Reducing)

October 2010

### Colour Key



### Photo Library



### Colours

ABC9: Buff/sand, terracotta, white.  
MFAB: Buff/sand, terracotta, white.  
TCL20000: Black.  
LV265: White.

### Specification Paragraph

Manufacturer: Rytons Building Products Ltd  
T: 01536 511874, F: 01536 310455, E: admin@rytons.com  
Visit our website at [www.vents.co.uk](http://www.vents.co.uk)  
Product ref:

- Rytons '9x9' Cowled Ventilation Set with Louvre Buff/Sand (ref TCL20BCW)
  - Rytons '9x9' Cowled Ventilation Set with Louvre Terracotta (ref TCL20TCW)
  - Rytons '9x9' Cowled Ventilation Set with Louvre White (ref TCL20WCW)
- Type: Telescopic Liner with Cowl, Multifix® Air Bricks and Louvre Vent  
Equivalent Area: 14572mm<sup>2</sup> (BRE tested)

### Installation

No special fixing required. Build in cavity liner with fitted air bricks as work proceeds. Extend telescopic sleeve as necessary. Fasten cowl to the brickwork through the pre-formed holes in the flange around the cowl. Fasten louvre ventilator internally covering the flange of the AirLiner®.

### HETAS Approval

HETAS is the official body recognised by the government to approve solid fuel domestic heating appliances, fuels and services. Rytons is the only ventilation manufacturer to have solid fuel appliance ventilators approved by HETAS and is the only ventilation manufacturer recommended by HETAS to their registered engineers.

### A bit about the BRE

The Building Research Establishment Ltd is a respected independent testing authority. Since 2006 Rytons has commissioned the BRE to calculate the equivalent free area of their heat producing appliance and background ventilators giving installers, suppliers and homeowners the confidence that the air space is **accurate** and **verifiable**.

### Extra Features and Benefits

Individually boxed sets for easy identification, handling and efficient installation.

Cowl prevents infiltration of wind driven rain and snow and alleviates air blasts through the cavity which may cause discomfort in a room.

Air brick louvres promote unrestricted air flow and reduce risk of blockage as well as keeping large insects out. Also features built-in water baffles to prevent water penetration.

External AirLiner® baffles prevent water transfer across the cavity.

Low profile louvre ventilator maintains a neat internal appearance.

Louvre embossed with DO NOT BLOCK.

## Technical Data Sheet

[www.vents.co.uk](http://www.vents.co.uk) (search code: TCL20CW)

October 2010

# Rytons '9x9' Cowled Ventilation Set with Louvre Ventilator (Light and Draught Reducing)

### UK Regulations, Standards and Guidelines

#### For heat producing appliances (including solid fuel) refer to:

The Building Regulations 2000, Approved Document J.

The Building (Scotland) Regulations 2005, Mandatory Standard 3.21.

The Building Regulations (Northern Ireland) 2000, Technical Booklet L.

British Standard BS 5440-2:2009.

#### For decorative fuel effect gas fires refer to:

British Standard BS 5871-3:2005.

### Handling Information

Box quantity: 1 set.

Box size: 27.5cm (W) x 28.5cm (H) x 27cm (D).

Box weight: 1.58kg.

## Questions

### Is an acoustic option available?

Yes, refer to technical data sheet TAL9CWL.



Please recycle printouts where facilities exist.

