

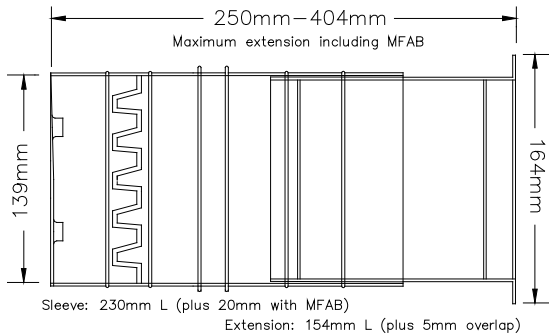
Technical Data Sheet

www.vents.co.uk (search code: TCL18CW)

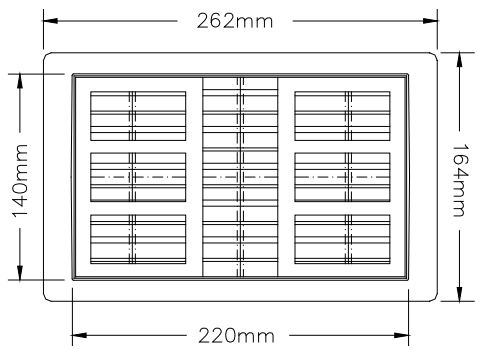
Rytons '9x6' Cowled Ventilation Set with Flush Louvre Ventilator (Light and Draught Reducing)

May 2010

Dimensional Drawing (Rytons TCL18000)

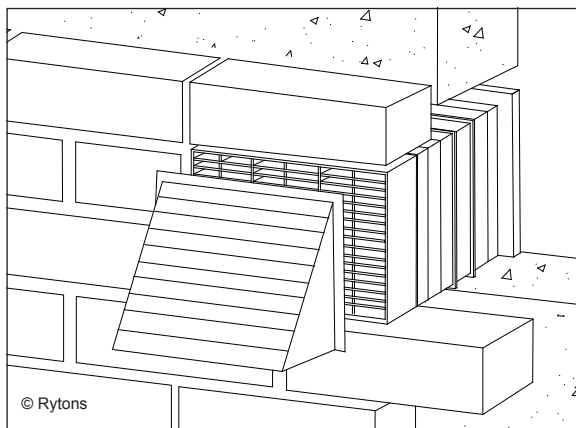


Sleeve: 230mm L (plus 20mm with MFAB)
Extension: 154mm L (plus 5mm overlap)

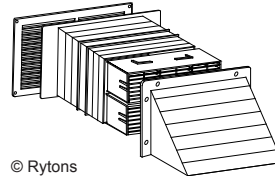


© Rytons

In-Situ Line Drawing



© Rytons



© Rytons

Approvals and Testing



Main Uses, Features and Benefits

- Combustion air vent for heat producing appliances.
- Room or compartment ventilator.
- Equivalent area calculated by Advantica at 15 Pa to BS 5440-2:2000.
- HETAS approved for use with solid fuel appliances.
- Cowl and internal baffles reduce light and draughts.
- Finished with fixed open flush fitting louvre ventilator.
- Set contains Rytons Cowl '9x6' (ABC6), Rytons Multifix® Air Brick (MFAB) x2, Rytons '9x6' Telescopic AirLiner® (TCL18000) and Rytons Flush Fitting Louvre Ventilator '9x6' (LF147).
- U.V. stabilised cowl, air brick and louvre ventilator to protect against deterioration by sunlight.



F30 Accessories/Sundry Items for Brick/Block/Stone Walling

Specification clauses 17, 171

U90 General Ventilation - Domestic

Specification clauses 30, 34, 310, 340

055Plus

Product Specification Code	Equivalent Area
Rytons TCL18CW	9800mm ² (98cm ²) (15" ²)

Size

ABC6: 255mm (L) x 154mm (H) x 74mm (D).

MFAB & TCL18000: 220mm (W) x 140mm (H).

Extends from 250mm to 404mm (L) with Rytons Multifix® Air Bricks fitted.

LF147: 264mm (L) x 166mm (H).

Gas Appliances

Suitable for an open-flued gas appliance installed in a room or internal space with a gross rated input up to 26kW (88700 Btu/h).

Solid Fuel Appliances

(e.g. Stoves, Range Cookers or Independent Boilers)

Closed appliance without a draught stabiliser fitted - suitable up to 22kW.

Closed appliance with a draught stabiliser fitted - suitable up to 14kW.



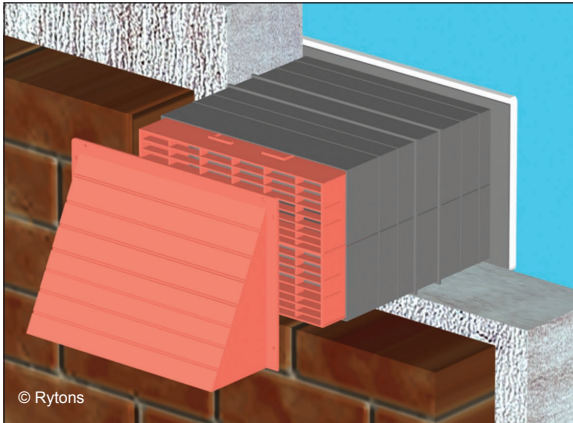
Technical Data Sheet

www.vents.co.uk (search code: TCL18CW)

Rytons '9x6' Cowled Ventilation Set with Flush Louvre Ventilator (Light and Draught Reducing)

May 2010

In-Situ Drawing



Composition

ABC6: U.V. stabilised high impact polystyrene.
MFAB: U.V. stabilised polypropylene.
TCL18000: Polypropylene. **Contains recycled plastic.**
LF147: U.V. stabilised high impact polystyrene.

Colours

ABC6: Buff/sand, terracotta, white.
MFAB: Buff/sand, terracotta, white.
TCL18000: Black.
LF147: White.

Specification Paragraph

Manufacturer: Rytons Building Products Ltd
T: 01536 511874, F: 01536 310455, E: admin@rytons.com
Visit our website at www.vents.co.uk

Product ref:

- Rytons '9x6' Cowled Ventilation Set with Flush Louvre Buff/Sand
(ref TCL18BCW to BBA 94/3071)

- Rytons '9x6' Cowled Ventilation Set with Flush Louvre Terracotta
(ref TCL18TCW to BBA 94/3071)

- Rytons '9x6' Cowled Ventilation Set with Flush Louvre White
(ref TCL18WCW to BBA 94/3071)

Type: Telescopic Liner with Cowl, Multifix® Air Brick and Flush Louvre Vent
Effective Area: 9800mm² (Advantica tested)

Installation

No special fixing required. Build in cavity liner with fitted air bricks as work proceeds. Extend telescopic sleeve as necessary. Fasten cowl to the brickwork through the pre-formed holes in the flange around the cowl. Fasten louvre ventilator into the flange of the AirLiner®.

BBA Approval

All components BBA approved. Rytons has 73 British Board of Agrément approved products; the largest range on the market. BBA certification is third party evaluation and accreditation, and approved products are accepted by building control officers, architects, engineers and surveyors nationwide. The NHBC also accept products approved by the BBA when used as stated in the relevant BBA certificate. Rytons also has an Irish Building Regulation Statement for each of their three BBA certificates.

HETAS Approval

HETAS is the official body recognised by the government to approve solid fuel domestic heating appliances, fuels and services. Rytons is the only ventilation manufacturer to have solid fuel appliance ventilators approved by HETAS and is the only ventilation manufacturer recommended by HETAS to their registered engineers.

A bit about Advantica

Advantica Technologies, previously known as British Gas Technologies and now GL Industrial Services, developed the dynamic test procedure for calculating the equivalent area of a ventilator. Advantica testing gives installers, suppliers and homeowners the assurance that the air space is **accurate** and **verifiable**.

Colour Key



Photo Library



Technical Data Sheet

www.vents.co.uk (search code: TCL18CW)

Rytons '9x6' Cowled Ventilation Set with Flush Louvre Ventilator (Light and Draught Reducing)

May 2010

Extra Features and Benefits

Individually boxed sets for easy identification, handling and efficient installation.

Cowl prevents infiltration of wind driven rain and snow and alleviates air blasts through the cavity which may cause discomfort in a room.

Air brick louvres promote unrestricted air flow and reduce risk of blockage as well as keeping large insects out. Also features built-in water baffles to prevent water penetration.

External AirLiner® baffles prevent water transfer across the cavity.

Extra slim profile of the Flush Fitting Louvre gives a neat internal appearance.

Flush Fitting Louvre embossed with DO NOT BLOCK.

UK Regulations, Standards and Guidelines

For heat producing appliances (including solid fuel) refer to:

The Building Regulations 2000, Approved Document J.

The Building (Scotland) Regulations 2005, Mandatory Standard 3.21.

The Building Regulations (Northern Ireland) 2000, Technical Booklet L.

British Standard BS 5440-2:2009.

For decorative fuel effect gas fires refer to:

British Standard BS 5871-3:2005.

Handling Information

Box quantity: 1 set.

Box size: 27cm (W) x 28cm (H) x 18cm (D).

Box weight: 1.1kg.

Questions

What is the Equivalent Area with Rytons Louvre Ventilator '9x6' (LV177)?

10400mm² (104cm²) (16"²) per set (Advantica tested).

Suitable for an open-flued gas appliance installed in a room or internal space with a gross rated input up to 27kW (92100 Btu/h).

What can I use to extend the AirLiner® further?

Rytons '9x6' AirLiner® Extension, refer to technical data sheet TCL96EXT.

Is an acoustic option available?

Yes, refer to technical data sheet TALCWL.



Please recycle printouts where facilities exist.

