

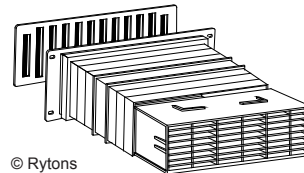
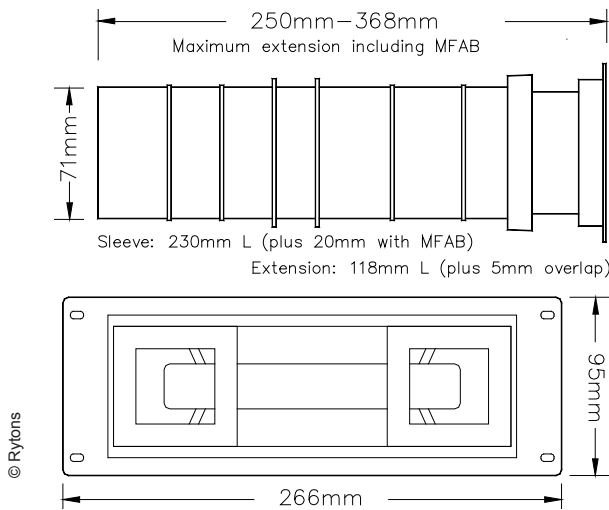
Technical Data Sheet

Rytons '9x3' Ventilation Set with Hit & Miss Ventilator (Light and Draught Reducing)

www.vents.co.uk (search code: TC8H&M)

April 2010

Dimensional Drawing (Rytons TCL8000)



Approvals and Testing

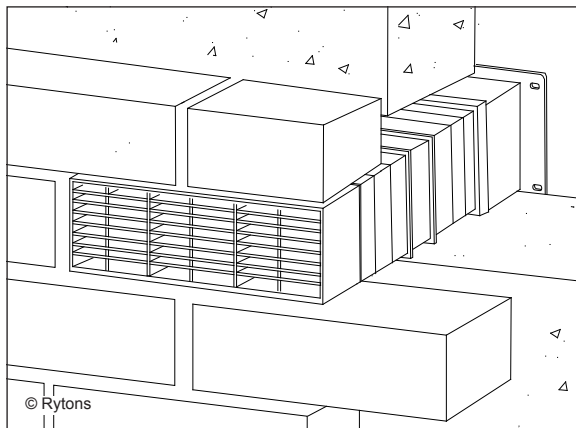


Main Uses, Features and Benefits

- Background ventilator for a habitable room.
- Equivalent area calculated by the BRE at 1 Pa to BS EN 13141-1:2004.
- Internal baffle reduces light and draughts.
- Manually controlled internal hit & miss ventilator with flyscreen.
- Set contains Rytons Multifix® Air Brick (MFAB), Rytons '9x3' Telescopic AirLiner® (TCL8000) and Rytons Hit & Miss Ventilator '9x3' (HM43F).
- U.V. stabilised air brick and hit & miss ventilator to protect against deterioration by sunlight.



In-Situ Line Drawing



F30 Accessories/Sundry Items for Brick/Block/Stone Walling

Specification clauses 17, 171

U90 General Ventilation - Domestic

Specification clauses 34, 340

Product Specification Code	Equivalent Area
Rytons TC8H&M	4213mm ² (42.13cm ²)

Size

MFAB & TCL8000: 220mm (W) x 71mm (H).

Extends from 250mm to 368mm (L) with Rytons Multifix® Air Brick fitted.

HM43F: 271mm (L) x 95mm (H).

Composition

MFAB: U.V. stabilised polypropylene.

TCL8000: Polypropylene. *Contains recycled plastic.*

HM43F: U.V. stabilised high impact polystyrene.

Colours

MFAB: Grey, black, buff/sand, terracotta, white, brown, blue/black.

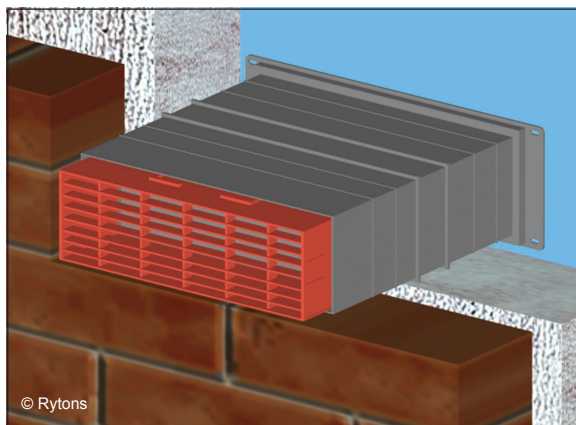
TCL8000: Black.

HM43F: White.

Installation

No special fixing required. Build in cavity liner with fitted air brick as work proceeds. Extend telescopic sleeve as necessary. Fasten hit & miss ventilator into the flange of the AirLiner®. Consideration should be given to using Rytons '9x3' Cowl (ABC3) in exposed areas. To avoid discomfort from cold draughts the ventilator should be sited not less than 1.7m above floor level.

In-Situ Drawing



Technical Data Sheet

Rytons '9x3' Ventilation Set with Hit & Miss Ventilator (Light and Draught Reducing)

www.vents.co.uk (search code: TC8H&M)

April 2010

Colour Key



Photo Library



Questions

Is a cowl option available for exposed areas?

Yes, refer to technical data sheet TC8HMCW.

Is an extension sleeve available?

Yes, refer to technical data sheet TCL8LNR.

Is an acoustic option available?

Yes, refer to technical data sheet TAL4H&M.

Specification Paragraph

Manufacturer: Rytons Building Products Ltd

T: 01536 511874, F: 01536 310455, E: admin@rytons.com

Visit our website at www.vents.co.uk

Product ref:

- Rytons '9x3' Ventilation Set with Hit & Miss Ventilator Grey

(ref TC8H&MGR to BBA 94/3071)

- Rytons '9x3' Ventilation Set with Hit & Miss Ventilator Black

(ref TC8H&MBL to BBA 94/3071)

- Rytons '9x3' Ventilation Set with Hit & Miss Ventilator Buff/Sand

(ref TC8H&MBS to BBA 94/3071)

- Rytons '9x3' Ventilation Set with Hit & Miss Ventilator Terracotta

(ref TC8H&MTC to BBA 94/3071)

- Rytons '9x3' Ventilation Set with Hit & Miss Ventilator White

(ref TC8H&MWH to BBA 94/3071)

- Rytons '9x3' Ventilation Set with Hit & Miss Ventilator Brown

(ref TC8H&MDB to BBA 94/3071)

- Rytons '9x3' Ventilation Set with Hit & Miss Ventilator Blue/Black

(ref TC8H&MBB to BBA 94/3071)

Equivalent area: 4213mm² (BRE tested)

Extra Features and Benefits

Individually boxed sets for easy identification, handling and efficient installation.

Air brick louvres promote unrestricted air flow and reduce the risk of blockage as well as keeping large insects out. Also features built-in water baffles to prevent water penetration.

External AirLiner[®] baffles prevent water transfer across the cavity.

Flush face and slim design of the hit & miss gives a neat internal appearance.

Hit & miss quickly and easily installed and removed for cleaning.

BBA Approval

All components BBA approved. Rytons has 73 British Board of Agrément approved products; the largest range on the market. BBA certification is third party evaluation and accreditation, and approved products are accepted by building control officers, architects, engineers and surveyors nationwide. The NHBC also accept products approved by the BBA when used as stated in the relevant BBA certificate. Rytons also has an Irish Building Regulation Statement for each of their three BBA certificates.

A bit about the BRE

The Building Research Establishment Ltd is a respected independent testing authority. Since 2006 Rytons has commissioned the BRE to calculate the equivalent free area of their heat producing appliance and background ventilators giving installers, suppliers and homeowners the confidence that the air space is **accurate** and **verifiable**.

UK Regulations, Standards and Guidelines

The Building Regulations 2000, Approved Document F 2006 edition.

The Building (Scotland) Regulations 2007, Mandatory Standard 3.14.

The Building Regulations (Northern Ireland) 2000, Technical Booklet K.

British Standard BS 5250:2002.

Handling Information

Box quantity: 1 set.

Box size: 32cm (W) x 10.5cm (H) x 29cm (D).

Box weight: 0.56kg.



Please recycle printouts where facilities exist.

