

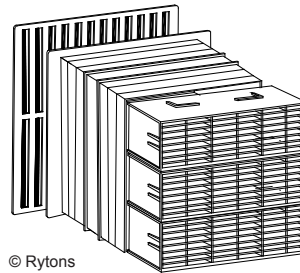
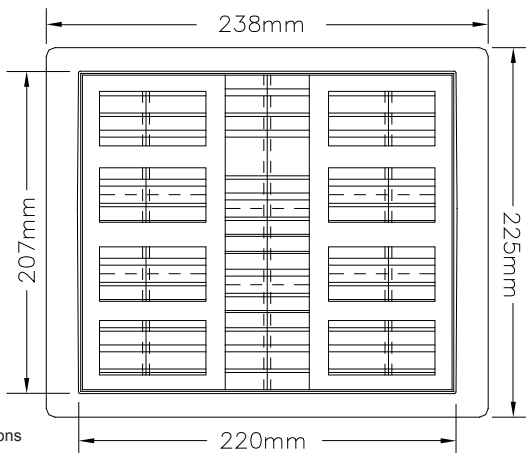
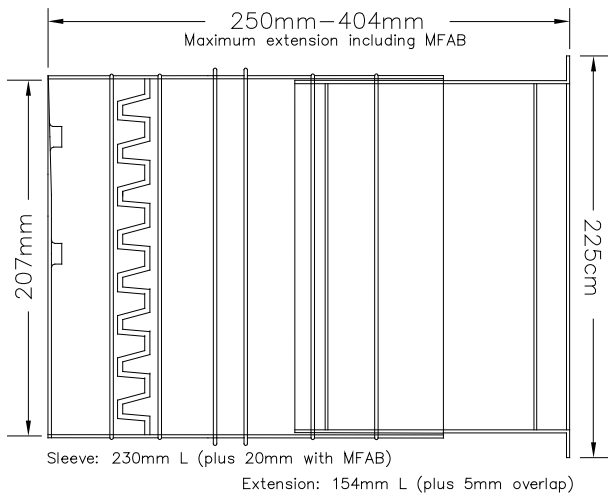
Technical Data Sheet

Rytons '9x9' Ventilation Set with Hit & Miss Ventilator (Light and Draught Reducing)

www.vents.co.uk (search code: TC20HM)

April 2010

Dimensional Drawing (Rytons TCL20000)



Approvals and Testing



Main Uses, Features and Benefits

- Background ventilator for a habitable room.
- Provides over 11000mm² equivalent area.
- Equivalent area calculated by the BRE at 1 Pa to BS EN 13141-1:2004.
- Internal baffles reduce light and draughts.
- Manually controlled internal hit & miss ventilator with flyscreen.
- Set contains Rytons Multifix[®] Air Bricks (MFAB) x3, Rytons '9x9' Telescopic AirLiner[®] (TCL20000) and Rytons Hit & Miss Ventilator '9x9' (HM123F).
- U.V. stabilised air brick and hit & miss ventilator to protect against deterioration by sunlight.



F30 Accessories/Sundry Items for Brick/Block/Stone Walling

Specification clauses 17, 171

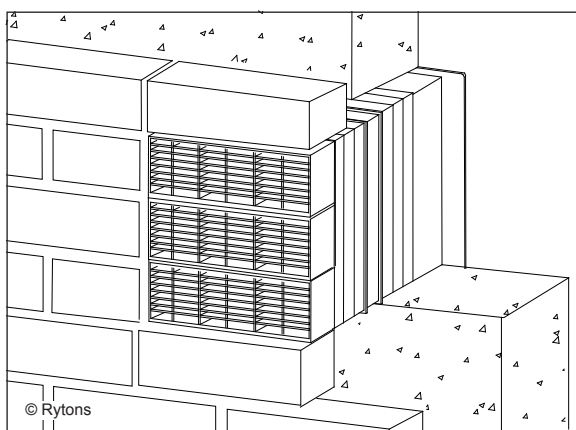
U90 General Ventilation - Domestic

Specification clauses 34, 340



Product Specification Code	Equivalent Area
Rytons TC20HM	11196mm ² (111.96cm ²)

In-Situ Line Drawing



Size

MFAB & TCL20000: 220mm (W) x 207mm (H).

Extends from 250mm to 404mm (L) with Rytons Multifix[®] Air Bricks fitted.

HM123F: 271mm (L) x 247mm (H).

Composition

MFAB: U.V. stabilised polypropylene.

TCL20000: Polypropylene. *Contains recycled plastic.*

HM123F: U.V. stabilised high impact polystyrene.

Colours

MFAB: Terracotta, buff/sand, blue/black, white, grey, black, brown.

TCL20000: Black.

HM123F: White.



Technical Data Sheet

Rytons '9x9' Ventilation Set with Hit & Miss Ventilator (Light and Draught Reducing)

www.vents.co.uk (search code: TC20HM)

April 2010

Colour Key

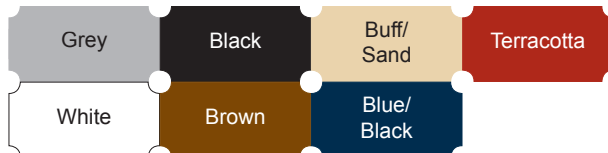


Photo Library



Specification Paragraph

Manufacturer: Rytons Building Products Ltd
T: 01536 511874, F: 01536 310455, E: admin@rytons.com
Visit our website at www.vents.co.uk

Product ref:

- Rytons '9x9' Ventilation Set with Hit & Miss Ventilator Grey (ref TC20HMGR)
- Rytons '9x9' Ventilation Set with Hit & Miss Ventilator Black (ref TC20HMBL)
- Rytons '9x9' Ventilation Set with Hit & Miss Ventilator Buff/Sand (ref TC20HMBS)
- Rytons '9x9' Ventilation Set with Hit & Miss Ventilator Terracotta (ref TC20HMTC)
- Rytons '9x9' Ventilation Set with Hit & Miss Ventilator White (ref TC20HMWH)
- Rytons '9x9' Ventilation Set with Hit & Miss Ventilator Brown (ref TC20HMDB)
- Rytons '9x9' Ventilation Set with Hit & Miss Ventilator Blue/Black (ref TC20HMBB)

Equivalent area: 11196mm² (BRE tested)

Installation

No special fixing required. Build in cavity liner with fitted air bricks as work proceeds. Extend telescopic sleeve as necessary. Fasten hit & miss ventilator internally covering the flange of the AirLiner®. Consideration should be given to using Rytons '9x9' Cowl (ABC9) in exposed areas. To avoid discomfort from cold draughts the ventilator should be sited not less than 1.7m above floor level.

Extra Features and Benefits

Individually boxed sets for easy identification, handling and efficient installation.

Air brick louvres promote unrestricted air flow and reduce the risk of blockage as well as keeping large insects out. Also features built-in water baffles to prevent water penetration.

External AirLiner® baffles prevent water transfer across the cavity.

Flush face and slim design of the hit & miss gives a neat internal appearance.

Hit & miss quickly and easily installed and removed for cleaning.

A bit about the BRE

The Building Research Establishment Ltd is a respected independent testing authority. Since 2006 Rytons has commissioned the BRE to calculate the equivalent free area of their heat producing appliance and background ventilators giving installers, suppliers and homeowners the confidence that the air space is **accurate** and **verifiable**.

UK Regulations, Standards and Guidelines

The Building Regulations 2000, Approved Document F 2006 edition.

The Building (Scotland) Regulations 2004, Mandatory Standard 3.14.

The Building Regulations (Northern Ireland) 2000, Technical Booklet K.

British Standard BS 5250:2002.

Technical Data Sheet

Rytons '9x9' Ventilation Set with Hit & Miss Ventilator (Light and Draught Reducing)

www.vents.co.uk (search code: TC20HM)

April 2010

UK Regulations, Standards and Guidelines

The Building Regulations 2000, Approved Document F 2006 edition.
The Building (Scotland) Regulations 2007, Mandatory Standard 3.14.
The Building Regulations (Northern Ireland) 2000, Technical Booklet K.
British Standard BS 5250:2002.

Handling Information

Box quantity: 1 set.
Box size: 27.5cm (W) x 28.5cm (H) x 27cm (D).
Box weight: 1.35kg.

Questions

Is a cowled option available for exposed areas?

Yes, refer to technical data sheet TC20HCW.

Is an acoustic option available?

Yes, refer to technical data sheet TAL9H&M.



Please recycle printouts where facilities exist.

