

Technical Data Sheet

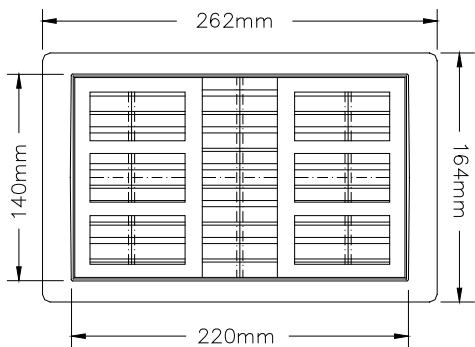
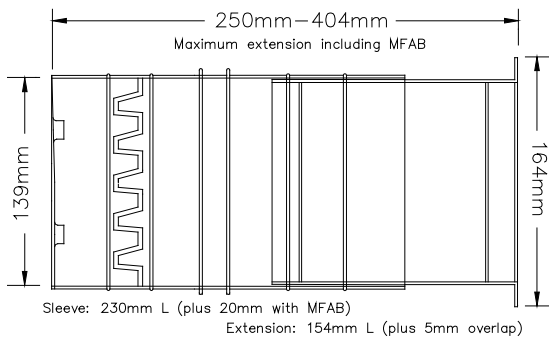
Rytons '9x6' Acoustic AirLiner® Set with Flush Louvre Ventilator (39 dB) (Sound, Light and Draught Reducing)

www.vents.co.uk (search code: TALSET)

May 2010

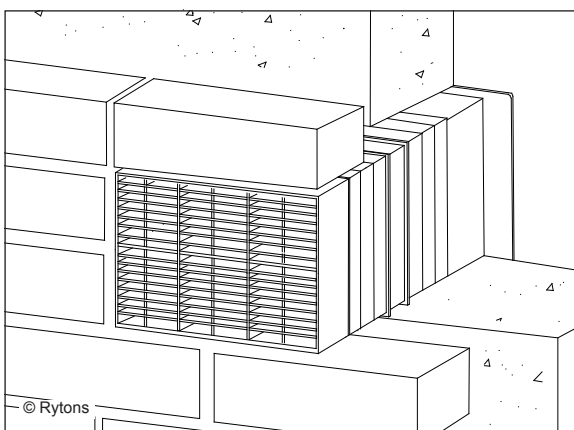
Dimensional Drawing (Rytons TAL8000)

British Board of Agrément Innovations Award WINNER!



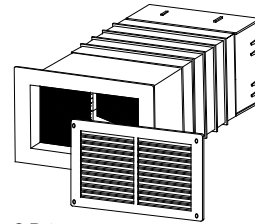
© Rytons

In-Situ Line Drawing



© Rytons

Approvals and Testing



© Rytons



Main Uses, Features and Benefits

- Combustion air vent for heat producing appliances.
- Room or compartment ventilator.
- Acoustic lining reduces sound to 39 dB $D_{n,e,w}$
- $D_{n,e,w}$ figure calculated by the BRE in accordance with BS EN ISO 717-1:1997.
- HETAS approved for use with solid fuel appliances.
- Equivalent area calculated by the BRE at 15 Pa to BS 5440-2:2000.
- Internal baffles reduce light and draughts.
- Finished with fixed open flush fitting louvre ventilator.
- Set contains Rytons Multifix® Air Brick '9x6', Rytons '9x6' Acoustic AirLiner® (TAL8000) and Rytons Flush Fitting Louvre '9x6' (LF147).
- U.V. stabilised air brick and louvre ventilator to protect against deterioration by sunlight.



F30 Accessories/Sundry Items for Brick/Block/Stone Walling

Specification clauses 17, 171

U90 General Ventilation - Domestic

Specification clauses 30, 34, 310, 340

Product Specification Code	$D_{n,e,w}$	Equivalent Area
Rytons TALSET	39 dB	3965mm ² (39.65cm ²) (6 ^{m²})

Size

MFAB96 & TAL8000: 220mm (W) x 140mm (H).

Extends from 250mm to 404mm (L) with Rytons Multifix® Air Brick fitted.

LF147: 264mm (L) x 166mm (H).

Gas Appliances

Suitable for an open-flued gas appliance installed in a room or internal space with a gross rated input up to 14kW.

Solid Fuel Appliances

(e.g. Stoves, Range Cookers or Independent Boilers)

Closed appliance without a draught stabiliser fitted - suitable up to 12kW.

Closed appliance with a draught stabiliser fitted - suitable up to 7kW.

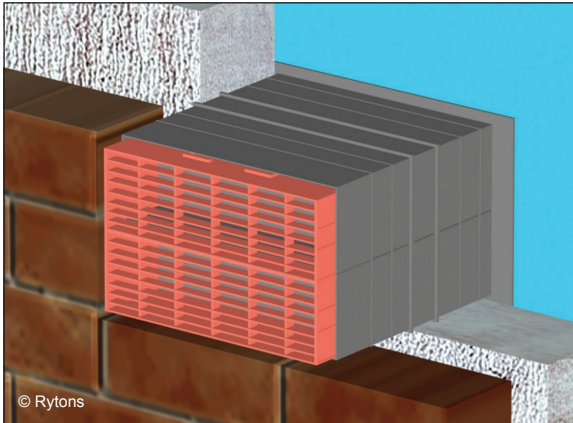
Technical Data Sheet

www.vents.co.uk (search code: TALSET)

Rytons '9x6' Acoustic AirLiner® Set with Flush Louvre Ventilator (39 dB) (Sound, Light and Draught Reducing)

May 2010

In-Situ Drawing



Colour Key

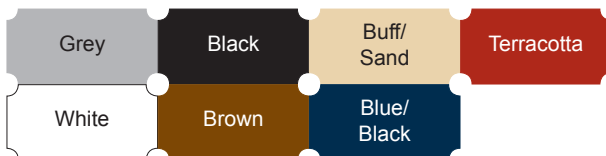


Photo Library



Composition

MFAB96: U.V. stabilised polypropylene.

TAL8000: Rigid Liner - Polypropylene. **Contains recycled plastic.**

TAL8000: Insert Sleeve - Polypropylene containing sound absorbent foam panels.

LF147: U.V. stabilised high impact polystyrene.

Colours

MFAB96: Buff/sand, terracotta, grey*, black*, white*, brown*, blue/black*.

(* supplied in a double '9x3' brick combination).

TAL8000: Black.

LF147: White.

Specification Paragraph

Manufacturer: Rytons Building Products Ltd

T: 01536 511874, F: 01536 310455, E: admin@rytons.com

Visit our website at www.vents.co.uk

Product ref:

- Rytons '9x6' Acoustic AirLiner® Set with Flush Louvre Ventilator (39 dB)

Grey (ref TALSETGR to BBA 94/3071)

- Rytons '9x6' Acoustic AirLiner® Set with Flush Louvre Ventilator (39 dB)

Black (ref TALSETBL to BBA 94/3071)

- Rytons '9x6' Acoustic AirLiner® Set with Flush Louvre Ventilator (39 dB)

Buff/Sand (ref TALSETBS to BBA 94/3071)

- Rytons '9x6' Acoustic AirLiner® Set with Flush Louvre Ventilator (39 dB)

Terracotta (ref TALSETTC to BBA 94/3071)

- Rytons '9x6' Acoustic AirLiner® Set with Flush Louvre Ventilator (39 dB)

White (ref TALSETWH to BBA 94/3071)

- Rytons '9x6' Acoustic AirLiner® Set with Flush Louvre Ventilator (39 dB)

Brown (ref TALSETDB to BBA 94/3071)

- Rytons '9x6' Acoustic AirLiner® Set with Flush Louvre Ventilator (39 dB)

Blue/Black (ref TALSETBB to BBA 94/3071)

Type: Acoustic Telescopic Liner with Multifix® Air Brick and Flush Louvre

Equivalent Area: 3965mm² (BRE tested)

Installation

No special fixing required. Build in cavity liner with fitted air brick as work proceeds. Extend telescopic sleeve as necessary. Fasten louvre ventilator into the flange of the AirLiner®. Consideration should be given to using Rytons '9x6' Cowl (ABC6) in exposed areas.

BBA Approval

Rytons has **73** British Board of Agrément approved products; the largest range on the market. BBA certification is third party evaluation and accreditation, and approved products are accepted by building control officers, architects, engineers and surveyors nationwide. The NHBC also accept products approved by the BBA when used as stated in the relevant BBA certificate. Rytons also has an Irish Building Regulation Statement for each of their three BBA certificates.

HETAS Approval

HETAS is the official body recognised by the government to approve solid fuel domestic heating appliances, fuels and services. Rytons is the only ventilation manufacturer to have solid fuel appliance ventilators approved by HETAS and is the only ventilation manufacturer recommended by HETAS to their registered engineers.

Technical Data Sheet

www.vents.co.uk (search code: TALSET)

Ryttons '9x6' Acoustic AirLiner® Set with Flush Louvre Ventilator (39 dB) (Sound, Light and Draught Reducing)

May 2010

Ryttons TALSET Converted Octave Band Values	
63 Hz	35.8 dB
125 Hz	38.3 dB
250 Hz	35.2 dB
500 Hz	34.4 dB
1000 Hz	41.2 dB
2000 Hz	48.8 dB
4000 Hz	53.8 dB

All figures are reproduced in good faith and to the best of our knowledge are true and accurate. Customers should satisfy themselves that the product is suitable for the intended purpose by using this information in conjunction with the BRE acoustic test report available online at www.vents.co.uk and from Ryttons sales office.

Questions continued

Will installing more than one vent to achieve a greater equivalent area have an effect on the acoustic performance?

Yes, by installing two vents anywhere in a room the combined performance of both vents would be reduced by 3dB. Installing four vents would give a reduction of 6dB.

What is the Equivalent Area with Ryttons Louvre Ventilator '9x6' (LV177)?

5000mm² (50cm²) (7¾"²) per set.

Gas Appliances

Suitable for an open-flued gas appliance installed in a room or internal space with a gross rated input up to 17kW.

Solid Fuel Appliances

(e.g. Stoves, Range Cookers or Independent Boilers)

Closed appliance without a draught stabiliser fitted - suitable up to 14kW.

Closed appliance with a draught stabiliser fitted - suitable up to 9kW.

Will the vent reduce sound from inside to outside as well as from outside to inside?

The BRE has advised us that it's reasonable to assume that 'reciprocity' applies to the vents. That is, the third octave values for sound reduction index are the same in both directions (out to in and in to out).

A bit about the BRE

The Building Research Establishment Ltd is a respected independent testing authority. BRE Acoustics holds UKAS accreditation for the measurement of sound insulation in the field and the laboratory. The measurements were conducted using the procedures accredited by UKAS. Since 2006 Ryttons has commissioned the BRE to calculate the equivalent free area of their heat producing appliance and background ventilators giving installers, suppliers and homeowners the confidence that the air space is **accurate** and **verifiable**.

Extra Features and Benefits

Individually boxed sets for easy identification, handling and efficient installation.

Air brick louvres promote unrestricted air flow and reduce risk of blockage as well as keeping large insects out. Also features built-in water baffles to prevent water penetration.

External AirLiner® baffles prevent water transfer across the cavity.

Extra slim profile of the flush fitting louvre gives a neat internal appearance.

Flush fitting louvre embossed with DO NOT BLOCK.

UK Regulations, Standards and Guidelines

Measurement of airborne sound insulation made by the BRE in accordance with BS EN 20140-10:1992 and BS EN ISO 140-3:1995. Single number quantities were calculated in accordance with BS EN ISO 717-1:1997 'Rating of sound insulation in buildings and of building elements'.

For heat producing appliances (including solid fuel) refer to:

The Building Regulations 2000, Approved Document J.

The Building (Scotland) Regulations 2005, Mandatory Standard 3.21.

The Building Regulations (Northern Ireland) 2000, Technical Booklet L.

British Standard BS 5440-2:2009.

For decorative fuel effect gas fires refer to:

British Standard BS 5871-3:2005.

The Building Regulations 2000, Approved Document J

1.16 In noisy areas, it may be necessary to install proprietary noise attenuated ventilators to limit the entry of noise into the building.

Handling Information

Box quantity: 1 set.

Box size: 27cm (W) x 28cm (H) x 18cm (D).

Box weight: 1.1kg.

Questions

Is a copy of the BRE test report available?

Yes, online at www.vents.co.uk or from Ryttons sales office.

Is a cowled option available for exposed areas?

Yes, refer to technical data sheet TALCWL.

What can I use to extend the AirLiner® further?

Ryttons '9x6' AirLiner® Extension, refer to technical data sheet TCL96EXT.



Please recycle printouts where facilities exist.

