

Technical Data Sheet

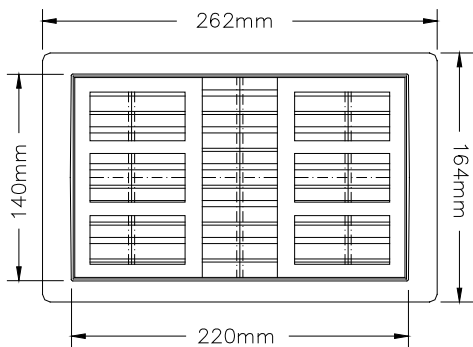
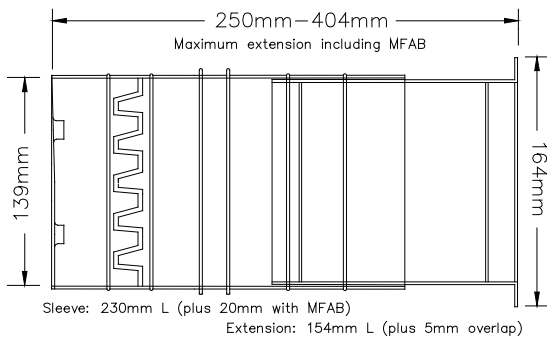
Rytons '9x6' Acoustic AirLiner® Set with Hit & Miss Ventilator (39 dB) (Sound, Light and Draught Reducing)

www.vents.co.uk (search code: TALH&M)

April 2010

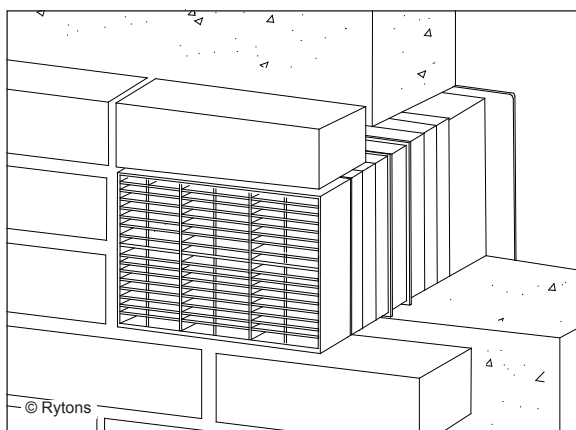
Dimensional Drawing (Rytons TAL8000)

British Board of Agrément Innovations Award WINNER!



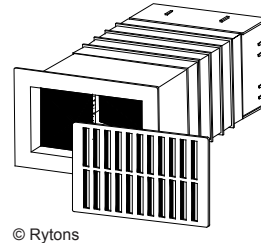
© Rytons

In-Situ Line Drawing



© Rytons

Approvals and Testing



bre
Acoustic Testing

bre
Equivalent Area Testing



Main Uses, Features and Benefits

- Acoustic background ventilator for a habitable room.
- Acoustic lining reduces sound to 39 dB $D_{n,e,w}$
- $D_{n,e,w}$ figure calculated by the BRE in accordance with BS EN ISO 717-1:1997.
- Equivalent area calculated by the BRE at 1 Pa to BS EN 13141-1:2004.
- Internal baffles reduce light and draughts.
- Manually controlled internal hit & miss ventilator with flyscreen.
- Set contains Rytons Multifix® Air Brick '9x6', Rytons '9x6' Acoustic AirLiner® (TAL8000) and Rytons Hit & Miss Ventilator '9x6' (HM85F).
- U.V. stabilised air brick and hit & miss ventilator to protect against deterioration by sunlight.



F30 Accessories/Sundry Items for Brick/Block/Stone Walling

n55Plus

Specification clauses 17, 171

U90 General Ventilation - Domestic

Specification clauses 34, 340

Product Specification Code	Equivalent Area	$D_{n,e,w}$
Rytons TALH&M	3749mm ² (37.49cm ²)	39 dB (open) 40 dB (closed)

Size

MFAB96 & TAL8000: 220mm (W) x 140mm (H).

Extends from 250mm to 404mm (L) with Rytons Multifix® Air Brick fitted.

HM85F: 271mm (L) x 171mm (H).

Composition

MFAB96: U.V. stabilised polypropylene.

TAL8000: Rigid Liner - Polypropylene. **Contains recycled plastic.**

TAL8000: Insert Sleeve - Polypropylene containing sound absorbent foam panels.

HM85F: U.V. stabilised high impact polystyrene.



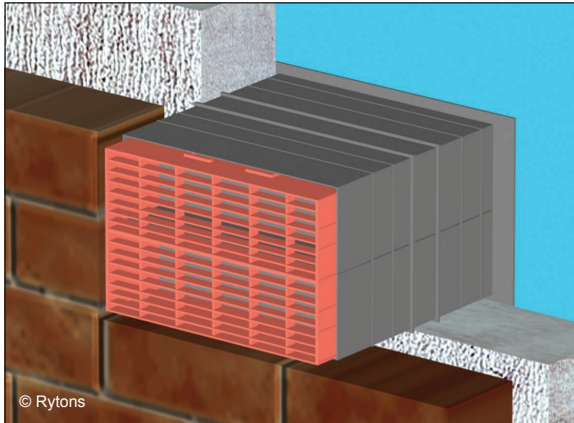
Technical Data Sheet

Rytons '9x6' Acoustic AirLiner® Set with Hit & Miss Ventilator (39 dB) (Sound, Light and Draught Reducing)

www.vents.co.uk (search code: TALH&M)

April 2010

In-Situ Drawing



Colour Key

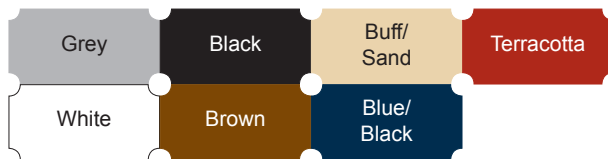
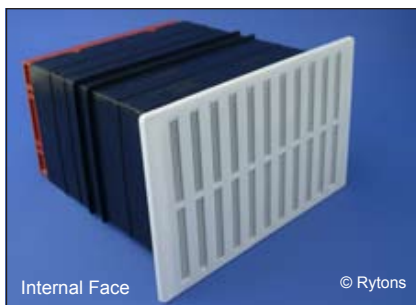


Photo Library



Internal Face

© Rytons



TAL8000 AirLiner®

© Rytons

Colours

MFAB96: Buff/sand, terracotta, grey*, black*, white*, brown*, blue/black*.
(* supplied in a double '9x3' brick combination).

TAL8000: Black.

HM85F: White.

Specification Paragraph

Manufacturer: Rytons Building Products Ltd

T: 01536 511874, F: 01536 310455, E: admin@rytons.com

Visit our website at www.vents.co.uk

Product ref:

- Rytons '9x6' Acoustic AirLiner® Set with Hit & Miss Ventilator (39 dB) Grey (ref TALH&MGR to BBA 94/3071)
- Rytons '9x6' Acoustic AirLiner® Set with Hit & Miss Ventilator (39 dB) Black (ref TALH&MBL to BBA 94/3071)
- Rytons '9x6' Acoustic AirLiner® Set with Hit & Miss Ventilator (39 dB) Buff/Sand (ref TALH&MBS to BBA 94/3071)
- Rytons '9x6' Acoustic AirLiner® Set with Hit & Miss Ventilator (39 dB) Terracotta (ref TALH&MTC to BBA 94/3071)
- Rytons '9x6' Acoustic AirLiner® Set with Hit & Miss Ventilator (39 dB) White (ref TALH&MWH to BBA 94/3071)
- Rytons '9x6' Acoustic AirLiner® Set with Hit & Miss Ventilator (39 dB) Brown (ref TALH&MDB to BBA 94/3071)
- Rytons '9x6' Acoustic AirLiner® Set with Hit & Miss Ventilator (39 dB) Blue/Black (ref TALH&MBB to BBA 94/3071)

Type: Acoustic Telescopic Liner with Multifix® Air Brick and Hit & Miss
Equivalent Area: 3749mm² (BRE tested)

Installation

No special fixing required. Build in cavity liner with fitted air brick as work proceeds. Extend telescopic sleeve as necessary. Fasten hit & miss ventilator into the flange of the AirLiner®. Consideration should be given to using Rytons '9x6' Cowl (ABC6) in exposed areas. To avoid discomfort from cold draughts the ventilator should be sited not less than 1.7m above floor level.

Extra Features and Benefits

Individually boxed sets for easy identification, handling and efficient installation.

Air brick louvres promote unrestricted air flow and reduce the risk of blockage as well as keeping large insects out. Also features built-in water baffles to prevent water penetration.

External AirLiner® baffles prevent water transfer across the cavity.

Flush face and slim design of the hit & miss gives a neat internal appearance.

Hit & miss quickly and easily installed and removed for cleaning.

BBA Approval

All components BBA approved. Rytons has 73 British Board of Agrément approved products; the largest range on the market. BBA certification is third party evaluation and accreditation, and approved products are accepted by building control officers, architects, engineers and surveyors nationwide. The NHBC also accept products approved by the BBA when used as stated in the relevant BBA certificate. Rytons also has an Irish Building Regulation Statement for each of their three BBA certificates.

Technical Data Sheet

Rytons '9x6' Acoustic AirLiner® Set with Hit & Miss Ventilator (39 dB) (Sound, Light and Draught Reducing)

www.vents.co.uk (search code: TALH&M)

April 2010

Rytons TALH&M Converted Octave Band Values	
63 Hz	35.8 dB
125 Hz	38.4 dB
250 Hz	35.8 dB
500 Hz	34.4 dB
1000 Hz	41.1 dB
2000 Hz	49 dB
4000 Hz	53.9 dB

All figures are reproduced in good faith and to the best of our knowledge are true and accurate. Customers should satisfy themselves that the product is suitable for the intended purpose by using this information in conjunction with the BRE acoustic test report available online at www.vents.co.uk and from Rytons sales office.

A bit about the BRE

The Building Research Establishment Ltd is a respected independent testing authority. BRE Acoustics holds UKAS accreditation for the measurement of sound insulation in the field and the laboratory. The measurements were conducted using the procedures accredited by UKAS. Since 2006 Rytons has commissioned the BRE to calculate the equivalent free area of their heat producing appliance and background ventilators giving installers, suppliers and homeowners the confidence that the air space is **accurate** and **verifiable**.

UK Regulations, Standards and Guidelines

Measurement of sound insulation made by BRE in accordance with BS EN 20140-10:1992 'Laboratory measurement of airborne sound insulation of small building elements'. Single number quantities were calculated in accordance with BS EN ISO 717-1:1997 'Rating of sound insulation in buildings and of building elements'.

The Building Regulations 2000, Approved Document F 2006 edition.

The Building (Scotland) Regulations 2007, Mandatory Standard 3.14.

The Building Regulations (Northern Ireland) 2000, Technical Booklet K.

British Standard BS 5250:2002.

The Building Regulations 2000, Approved Document F

Noisy locations 0.31 In noisy areas it may be appropriate to use sound-attenuating background ventilators, depending on the noise level and any planning conditions.

Handling Information

Box quantity: 1 set.

Box size: 27cm (W) x 28cm (H) x 18cm (D).

Box weight: 1.1kg.

Questions

Is a copy of the BRE test report available?

Yes, online at www.vents.co.uk or from Rytons sales office.

Is a cowled option available for exposed areas?

Yes, refer to technical data sheet TALHMCW.

Will installing more than one vent to achieve a greater free area have an effect on the acoustic performance?

Yes, by installing two vents anywhere in a room the combined performance of both vents would be reduced by 3dB. Installing four vents would give a reduction of 6dB.

What can I use to extend the AirLiner® further?

Rytons '9x6' AirLiner® Extension, refer to technical data sheet TCL96EXT.

Will the vent reduce sound from inside to outside as well as from outside to inside?

The BRE has advised us that it's reasonable to assume that 'reciprocity' applies to the vents. That is, the third octave values for sound reduction index are the same in both directions (out to in and in to out).



Please recycle printouts where facilities exist.

