

Technical Data Sheet

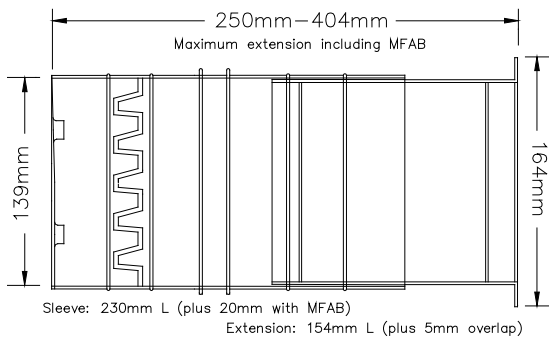
Rytons '9x6' Cowled Acoustic AirLiner® Set with Flush Louvre Ventilator (42 dB) (Sound, Light and Draught Reducing)

www.vents.co.uk (search code: TALCWL)

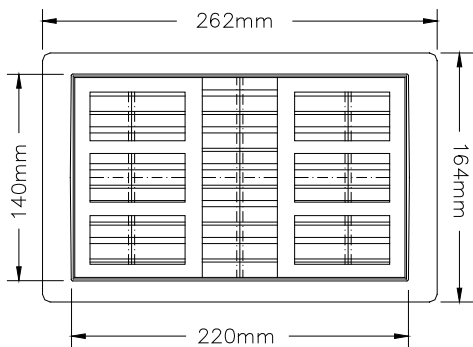
October 2010

Dimensional Drawing (Rytons TAL8000)

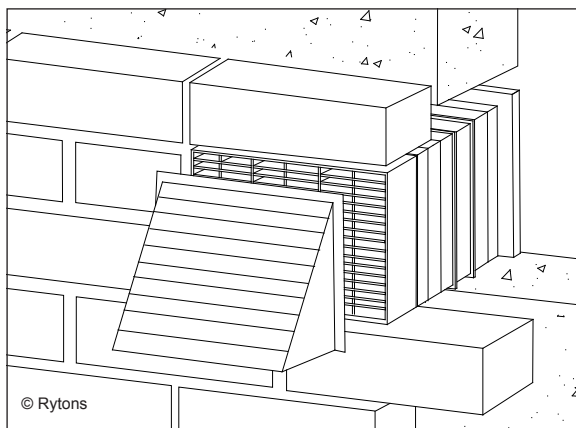
British Board of Agrément Innovations Award WINNER!



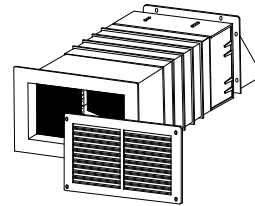
© Rytons



In-Situ Line Drawing



Approvals and Testing



© Rytons

Main Uses, Features and Benefits

- Combustion air vent for heat producing appliances.
- Room or compartment ventilator.
- Acoustic lining reduces sound to 42 dB $D_{n,e,w}$
- $D_{n,e,w}$ figure calculated by the BRE in accordance with BS EN ISO 717-1:1997.
- HETAS approved for use with solid fuel appliances.
- Equivalent area calculated at 15 Pa by the BRE.
- Cowl and internal baffles reduce light and draughts.
- Finished with fixed open flush fitting louvre ventilator.
- Set contains Rytons Cowl '9x6' (ABC6), Rytons Multifix® Air Brick '9x6', Rytons '9x6' Acoustic AirLiner® (TAL8000) and Rytons Flush Fitting Louvre Ventilator '9x6' (LF147).
- U.V. stabilised cowl, air brick and louvre ventilator to protect against deterioration by sunlight.



NBS Plus

F30 Specification Clauses 17, 171

U90 Specification Clauses 30, 34, 310, 340

Paste Rytons current NBS Plus data straight into
your project specification from www.vents.co.uk.

Product Specification Code	$D_{n,e,w}$	Equivalent Area
Rytons TALCWL	42 dB	4033mm ² (40.33cm ²) (6¼"²)

Size

ABC6: 255mm (L) x 154mm (H) x 74mm (D).

MFAB96 & TAL8000: 220mm (W) x 140mm (H).

Extends from 250mm to 404mm (L) with Rytons Multifix® Air Brick fitted.

LF147: 264mm (L) x 166mm (H).



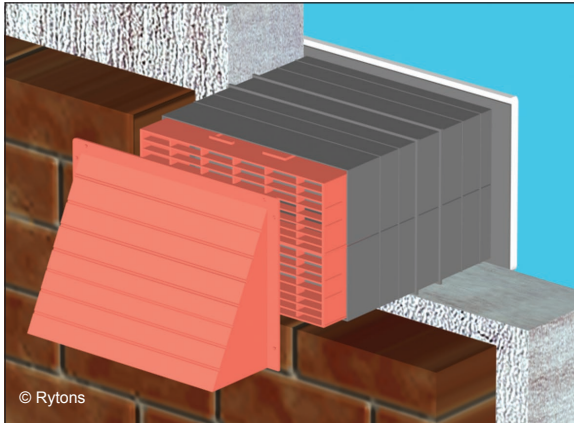
Technical Data Sheet

www.vents.co.uk (search code: TALCWL)

Rytons '9x6' Cowled Acoustic AirLiner® Set with Flush Louvre Ventilator (42 dB) (Sound, Light and Draught Reducing)

October 2010

In-Situ Drawing



Composition

ABC6: U.V. stabilised high impact polystyrene.

MFAB96: U.V. stabilised polypropylene.

TAL8000: Rigid Liner - Polypropylene. **Contains recycled plastic.**

TAL8000: Insert Sleeve - Polypropylene containing sound absorbent foam panels.

LF147: U.V. stabilised high impact polystyrene.

Colours

ABC6: Buff/sand, terracotta, white.

MFAB96: Buff/sand, terracotta, white*.

(* supplied in a double '9x3' brick combination).

TAL8000: Black.

LF147: White.

Specification Paragraph

Manufacturer: Rytons Building Products Ltd

T: 01536 511874, F: 01536 310455, E: admin@rytons.com

Visit our website at www.vents.co.uk

Product ref:

- Rytons '9x6' Cowled Acoustic AirLiner® Set with Flush Louvre Ventilator (42dB) Buff/Sand (ref TALBSCWL to BBA 94/3071)

- Rytons '9x6' Cowled Acoustic AirLiner® Set with Flush Louvre Ventilator (42dB) Terracotta (ref TALTCCWL to BBA 94/3071)

- Rytons '9x6' Cowled Acoustic AirLiner® Set with Flush Louvre Ventilator (42dB) White (ref TALWHCWL to BBA 94/3071)

Type: Acoustic Telescopic Liner with Cowl, Multifix® Air Brick and Flush Louvre Ventilator
Equivalent Area: 4033mm² (BRE tested)

Installation

No special fixing required. Build in cavity liner with fitted air brick as work proceeds. Extend telescopic sleeve as necessary. Fasten cowl to the brickwork through the pre-formed holes in the flange around the cowl. Fasten louvre ventilator into the flange of the AirLiner®.

BBA Approval

Rytons has **73** British Board of Agrément approved products; the largest range on the market. BBA certification is third party evaluation and accreditation, and approved products are accepted by building control officers, architects, engineers and surveyors nationwide. The NHBC also accept products approved by the BBA when used as stated in the relevant BBA certificate. Rytons also has an Irish Building Regulation Statement for each of their three BBA certificates.

HETAS Approval

HETAS is the official body recognised by the government to approve solid fuel domestic heating appliances, fuels and services. Rytons is the only ventilation manufacturer to have solid fuel appliance ventilators approved by HETAS and is the only ventilation manufacturer recommended by HETAS to their registered engineers.

Colour Key



Photo Library



Technical Data Sheet

www.vents.co.uk (search code: TALCWL)

October 2010

Rytons '9x6' Cowled Acoustic AirLiner® Set with Flush Louvre Ventilator (42 dB) (Sound, Light and Draught Reducing)

Rytons TALCWL Converted Octave Band Values	
63 Hz	36.2 dB
125 Hz	38.9 dB
250 Hz	35.7 dB
500 Hz	36.2 dB
1000 Hz	43.7 dB
2000 Hz	51.7 dB
4000 Hz	57.8 dB

All figures are reproduced in good faith and to the best of our knowledge are true and accurate. Customers should satisfy themselves that the product is suitable for the intended purpose by using this information in conjunction with the BRE acoustic test report available online at www.vents.co.uk and from Rytons sales office.

Questions

Is a copy of the BRE test report available?

Yes, online at www.vents.co.uk or from Rytons sales office.

Is a cowled option available for exposed areas?

Yes, refer to technical data sheet TALCWL.

Will installing more than one vent to achieve a greater equivalent area have an effect on the acoustic performance?

Yes, by installing two vents anywhere in a room the combined performance of both vents would be reduced by 3dB. Installing four vents would give a reduction of 6dB.

What can I use to extend the AirLiner® further?

Rytons '9x6' AirLiner® Extension, refer to technical data sheet TCL96EXT.

Will the vent reduce sound from inside to outside as well as from outside to inside?

The BRE has advised us that it's reasonable to assume that 'reciprocity' applies to the vents. That is, the third octave values for sound reduction index are the same in both directions (out to in and in to out).

A bit about the BRE

The Building Research Establishment Ltd is a respected independent testing authority. BRE Acoustics holds UKAS accreditation for the measurement of sound insulation in the field and the laboratory. The measurements were conducted using the procedures accredited by UKAS. Since 2006 Rytons has commissioned the BRE to calculate the equivalent free area of their heat producing appliance and background ventilators giving installers, suppliers and homeowners the confidence that the air space is **accurate** and **verifiable**.

Extra Features and Benefits

Individually boxed sets for easy identification, handling and efficient installation.

Cowl prevents infiltration of wind driven rain and snow and alleviates air blasts through the cavity which may cause discomfort in a room.

Air brick louvres promote unrestricted air flow and reduce risk of blockage as well as keeping large insects out. Also features built-in water baffles to prevent water penetration.

External AirLiner® baffles prevent water transfer across the cavity.

Extra slim profile of the flush fitting louvre gives a neat internal appearance.

Flush fitting louvre embossed with DO NOT BLOCK.

UK Regulations, Standards and Guidelines

Measurement of airborne sound insulation made by the BRE in accordance with BS EN 20140-10:1992 and BS EN ISO 140-3:1995. Single number quantities were calculated in accordance with BS EN ISO 717-1:1997 'Rating of sound insulation in buildings and of building elements'.

For heat producing appliances (including solid fuel) refer to:

The Building Regulations 2000, Approved Document J.

The Building (Scotland) Regulations 2005, Mandatory Standard 3.21.

The Building Regulations (Northern Ireland) 2000, Technical Booklet L.

British Standard BS 5440-2:2009.

For decorative fuel effect gas fires refer to:

British Standard BS 5871-3:2005.

The Building Regulations 2000, Approved Document J

1.16 In noisy areas, it may be necessary to install proprietary noise attenuated ventilators to limit the entry of noise into the building.

Handling Information

Box quantity: 1 set.

Box size: 27cm (W) x 28cm (H) x 18cm (D).

Box weight: 1.2kg.



Please recycle printouts where facilities exist.

