

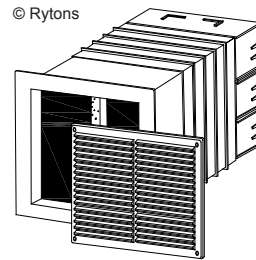
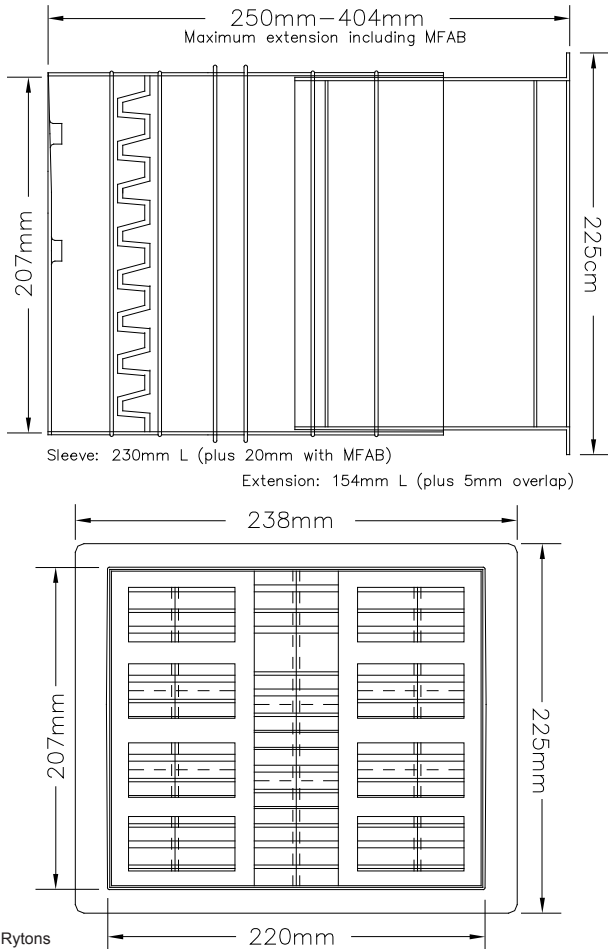
Technical Data Sheet

Rytons '9x9' Acoustic AirLiner® Set with Louvre Ventilator (38 dB) (Sound, Light and Draught Reducing)

www.vents.co.uk (search code: TAL9SET)

October 2010

Dimensional Drawing (Rytons TAL9900)



Approvals and Testing



Main Uses, Features and Benefits

- Combustion air vent for heat producing appliances.
- Room or compartment ventilator.
- Acoustic lining reduces sound to 38 dB $D_{n,e,w}$
- $D_{n,e,w}$ figure calculated by the BRE in accordance with BS EN ISO 717-1:1997.
- HETAS approved for use with solid fuel appliances.
- Equivalent area calculated at 15 Pa by the BRE.
- Internal baffles reduce light and draughts.
- Finished with fixed open louvre ventilator.
- Set contains Rytons Multifix® Air Bricks (MFAB) x3, Rytons '9x9' Acoustic AirLiner® (TAL9900) and Rytons Louvre Ventilator '9x9' (LV265).
- U.V. stabilised air brick and louvre ventilator to protect against deterioration by sunlight.



NBS Plus F30 Specification Clauses 17, 171
U90 Specification Clauses 30, 34, 310, 340

Paste Rytons current NBS Plus data straight into your project specification from www.vents.co.uk.

Product Specification Code	$D_{n,e,w}$	Equivalent Area
Rytons TAL9SET	38 dB	7171mm ² (71.71cm ²) (11"²)

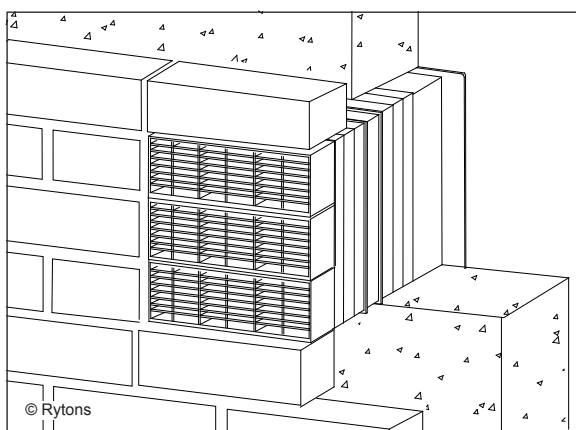
Size

MFAB & TAL9900: 220mm (W) x 207mm (H).
Extends from 250mm to 404mm (L) with Rytons Multifix® Air Bricks fitted.
LV265: 271mm (L) x 247mm (H).

Composition

MFAB: U.V. stabilised polypropylene.
TAL9900: Rigid Liner - Polypropylene. **Contains recycled plastic.**
TAL9900: Insert Sleeve - Polypropylene containing sound absorbent foam panels.
LV265: U.V. stabilised high impact polystyrene.

In-Situ Line Drawing



Technical Data Sheet

Rytons '9x9' Acoustic AirLiner® Set with Louvre Ventilator (38 dB) (Sound, Light and Draught Reducing)

www.vents.co.uk (search code: TAL9SET)

October 2010

Colour Key

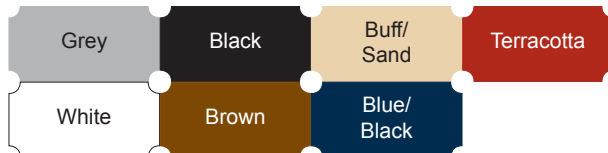
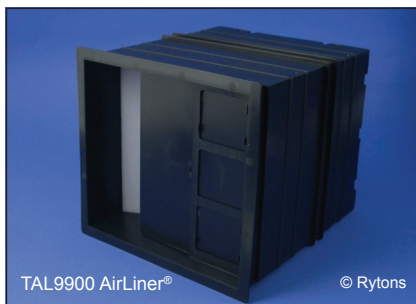
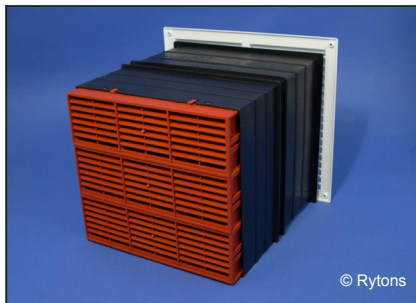


Photo Library



Colours

MFAB: Grey, black, buff/sand, terracotta, white, brown, blue/black.
TAL9900: Black.
LV265: White.

Specification Paragraph

Manufacturer: Rytons Building Products Ltd
T: 01536 511874, F: 01536 310455, E: admin@rytons.com
Visit our website at www.vents.co.uk

Product ref:

- Rytons '9x9' Acoustic AirLiner® Set with Louvre Ventilator (38 dB) Grey (ref TAL9SETGR)
- Rytons '9x9' Acoustic AirLiner® Set with Louvre Ventilator (38 dB) Black (ref TAL9SETBL)
- Rytons '9x9' Acoustic AirLiner® Set with Louvre Ventilator (38 dB) Buff/Sand (ref TAL9SETBS)
- Rytons '9x9' Acoustic AirLiner® Set with Louvre Ventilator (38 dB) Terracotta (ref TAL9SETTC)
- Rytons '9x9' Acoustic AirLiner® Set with Louvre Ventilator (38 dB) White (ref TAL9SETWH)
- Rytons '9x9' Acoustic AirLiner® Set with Louvre Ventilator (38 dB) Brown (ref TAL9SETDB)
- Rytons '9x9' Acoustic AirLiner® Set with Louvre Ventilator (38 dB) Blue/Black (ref TAL9SETBB)

Type: Acoustic Telescopic Liner with Multifix® Air Brick and Louvre
Equivalent Area: 7171mm² (BRE tested)

Installation

No special fixing required. Build in cavity liner with fitted air bricks as work proceeds. Extend telescopic sleeve as necessary. Fasten louvre ventilator internally covering the flange of the AirLiner®. Consideration should be given to using Rytons '9x9' Cowl (ABC9) in exposed areas.

HETAS Approval

HETAS is the official body recognised by the government to approve solid fuel domestic heating appliances, fuels and services. Rytons is the only ventilation manufacturer to have solid fuel appliance ventilators approved by HETAS and is the only ventilation manufacturer recommended by HETAS to their registered engineers.

A bit about the BRE

The Building Research Establishment Ltd is a respected independent testing authority. BRE Acoustics holds UKAS accreditation for the measurement of sound insulation in the field and the laboratory. The measurements were conducted using the procedures accredited by UKAS. Since 2006 Rytons has commissioned the BRE to calculate the equivalent free area of their heat producing appliance and background ventilators giving installers, suppliers and homeowners the confidence that the air space is **accurate** and **verifiable**.

Technical Data Sheet

Rytons '9x9' Acoustic AirLiner® Set with Louvre Ventilator (38 dB) (Sound, Light and Draught Reducing)

www.vents.co.uk (search code: TAL9SET)

October 2010

Rytons TAL9SET Converted Octave Band Values	
63 Hz	35 dB
125 Hz	37.4 dB
250 Hz	31 dB
500 Hz	33.8 dB
1000 Hz	39.5 dB
2000 Hz	46.2 dB
4000 Hz	52.3 dB

All figures are reproduced in good faith and to the best of our knowledge are true and accurate. Customers should satisfy themselves that the product is suitable for the intended purpose by using this information in conjunction with the BRE acoustic test report available online at www.vents.co.uk and from Rytons sales office.

Extra Features and Benefits

Individually boxed sets for easy identification, handling and efficient installation.

Air brick louvres promote unrestricted air flow and reduce risk of blockage as well as keeping large insects out. Also features built-in water baffles to prevent water penetration.

External AirLiner® baffles prevent water transfer across the cavity.

Low profile louvre ventilator maintains a neat internal appearance.

Louvre embossed with DO NOT BLOCK.

UK Regulations, Standards and Guidelines

Measurement of airborne sound insulation made by the BRE in accordance with BS EN 20140-10:1992 and BS EN ISO 140-3:1995. Single number quantities were calculated in accordance with BS EN ISO 717-1:1997 'Rating of sound insulation in buildings and of building elements'.

For heat producing appliances (including solid fuel) refer to:

The Building Regulations 2000, Approved Document J.

The Building (Scotland) Regulations 2005, Mandatory Standard 3.21.

The Building Regulations (Northern Ireland) 2000, Technical Booklet L.

British Standard BS 5440-2:2009.

For decorative fuel effect gas fires refer to:

British Standard BS 5871-3:2005.

The Building Regulations 2000, Approved Document J

1.16 In noisy areas, it may be necessary to install proprietary noise attenuated ventilators to limit the entry of noise into the building.

Handling Information

Box quantity: 1 set

Box size: 27.5cm (W) x 28.5cm (H) x 27cm (D).

Box weight: 1.58kg

Questions

Is a copy of the BRE test report available?

Yes, online at www.vents.co.uk or from Rytons sales office.

Is a cowlled option available for exposed areas?

Yes, refer to technical data sheet TAL9CWL.

Will installing more than one vent to achieve a greater equivalent area have an effect on the acoustic performance?

Yes, by installing two vents anywhere in a room the combined performance of both vents would be reduced by 3dB. Installing four vents would give a reduction of 6dB.

Will the vent reduce sound from inside to outside as well as from outside to inside?

The BRE has advised us that it's reasonable to assume that 'reciprocity' applies to the vents. That is, the third octave values for sound reduction index are the same in both directions (out to in and in to out).



Please recycle printouts where facilities exist.

